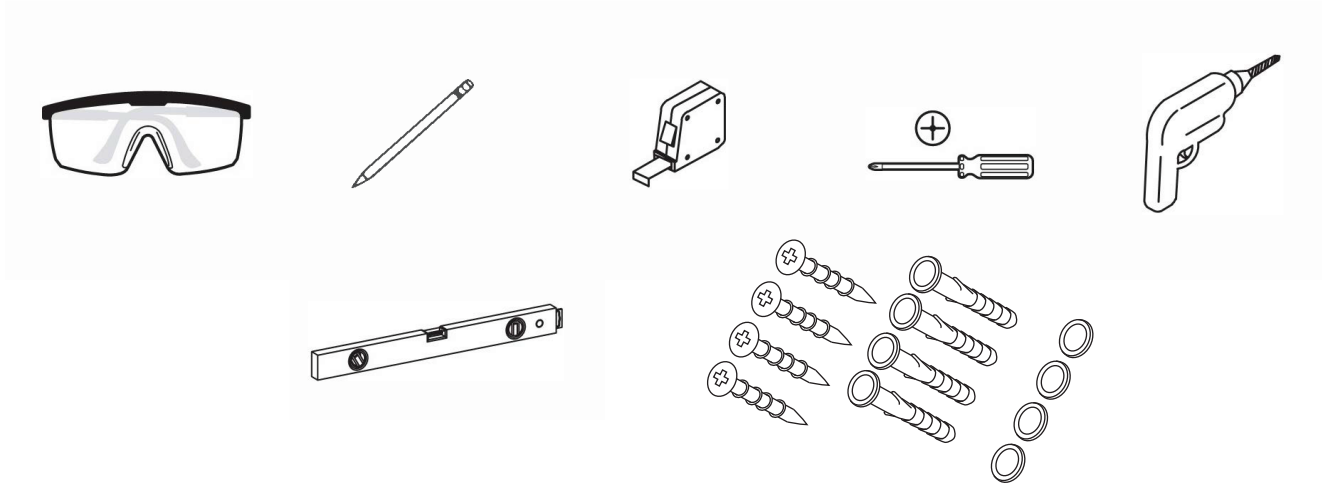


PRE-INSTALLATION

Tools Required

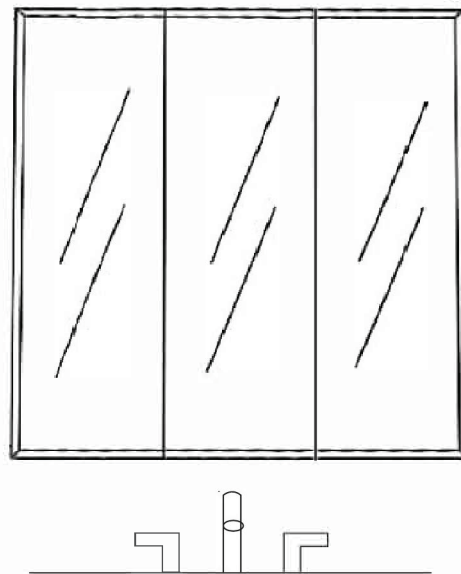


INSTALLATION

Step 1: Determine the ideal location of your new mirror. Make sure mirror has enough clearance from faucet and ceiling.

See Figure 1.

Fig.1



"Option 1: Recess Mount Installation"

Fig.2

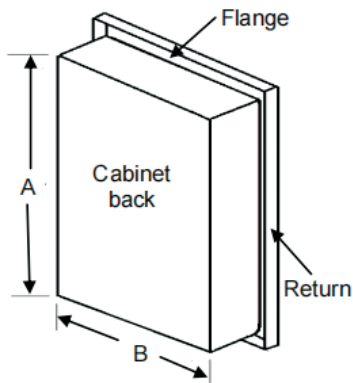


Fig.3

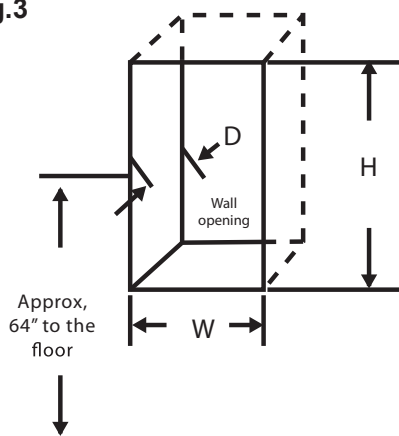
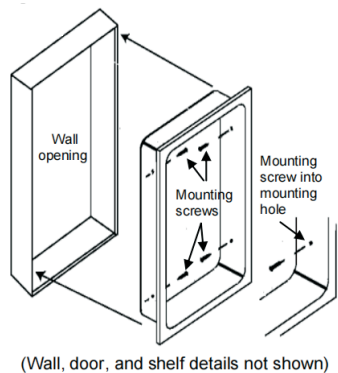


Fig.4



DETERMINE WALL OPENING DIMENSIONS

1. Lay the cabinet flat on a secure surface with the back facing up.

Take care to place the cabinet on a soft, non-abrasive surface to protect front from scratches or damage.

2. Measure the height "A" and width "B" of the cabinet back only (Fig. 2). DO NOT include the flange or return in these measurements.

3. For the "A" measurement. This is the "H" dimension of the wall opening (Fig 3).

4. For the "B" measurement. This is the "W" dimension of the wall opening (Fig 3).

5. Your cabinet is designed to fit in the depth "D" of a standard wall, which is generally a minimum of 3 3/4". Adjust the installation based on your wall depth by removing obstacles or building up the depth of your wall.

NOTE: For ease of installation, the assistance of an additional person is recommended.

INSTALLATION

1. Determine the desired location for the cabinet on the wall. Mark wall to show wall opening height ("H" as calculated in step 3 above) and wall opening width ("W" as calculated in step 4 above). Generally, the recommended height of bath cabinets is 64" from the finished floor to the center of the cabinet. (Fig. 3)

However, height may be adjusted to individual reference.

2. Cut wall opening, being careful not to damage the surrounding wall surface.

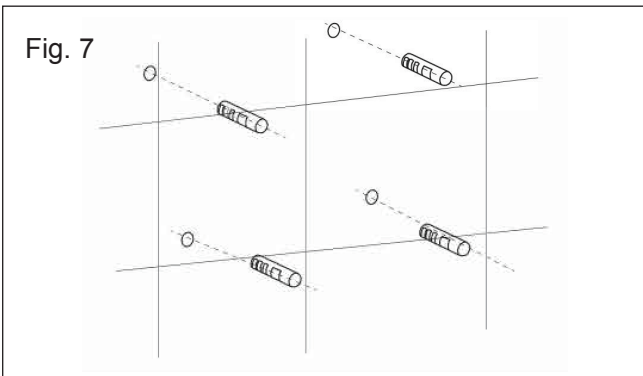
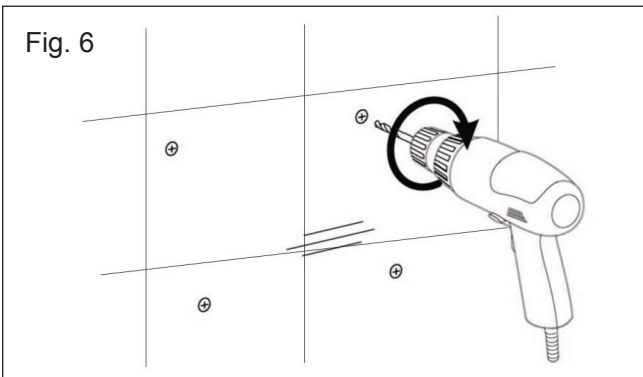
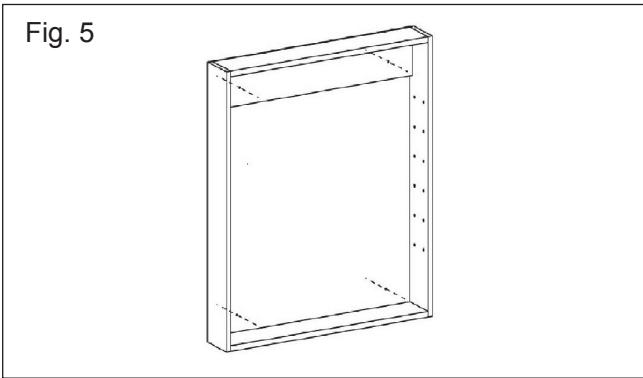
NOTE: The rough wall opening must be free of obstructions. If wall studs, plumbing, or electrical lines interfere with the rough wall opening they must be removed / relocated. This must be done in accordance with local and national codes and it is recommended that the services of a plumber or electrician be obtained.

3. Insert cabinet into wall opening in plumb and centered position (Fig. 4).

NOTE: Do not use nails to attach the cabinet. Do not over tighten the mounting screws. Bending the cabinet sides may prevent proper shelf installation.

4. Attach the cabinet to the wall studs by inserting the four screws with washers (Fig. 4). Tighten the screws to secure the cabinet in place.

"Option 2: Surface Mount Installation"



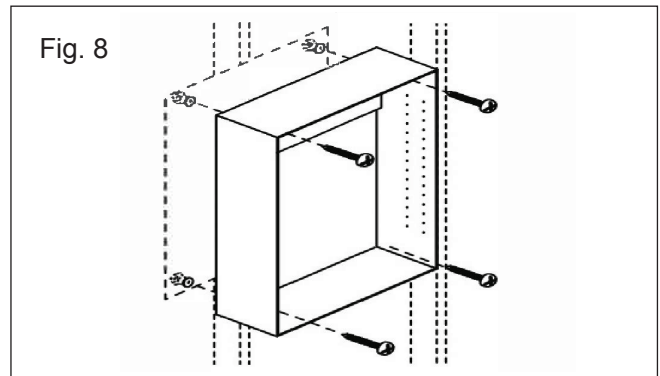
For all installations, make sure that the cabinet is mounted with the reinforcement board on top.

1. Determine the desired location of your cabinet on the wall. It is recommended that the center of the reflection area is placed 64" from the floor.

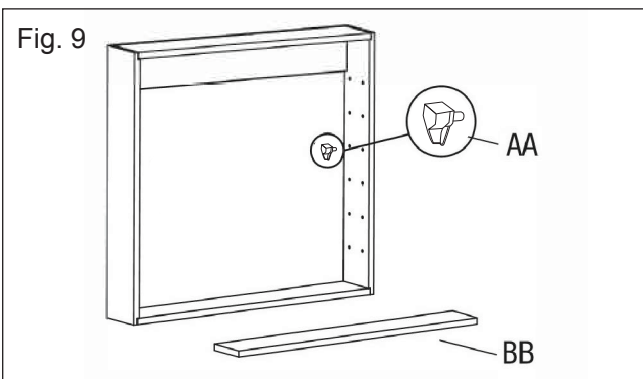
2. Drill 1/8 in. diameter holes through the reinforcement board on top only and the back panel of the cabinet on all four corners

3. Using the cabinet box, mark the screw placement on the walls with a pencil.

4. Drill 1/4" holes at the appropriate locations and insert wall anchors into the holes. Then insert 2" screws with washers through the drilled cabinet holes and into the anchors.



Step 3: Install the nob. (Optional)



Insert the left shelf clips (AA) into the holes on the left side of the cabinet.

Repeat on the right side.

Rest the shelves (BB) on the shelf clips (AA).