

# DLR56-SD

## 5" & 6" Sunset Dimming LED Retrofit Downlight

### Product Description

The DLR-SD creates a calming and relaxing experience. DLR-SD provides a subtle light color change while dimming which is perfect for residential environments aspiring to bring the sunset experience indoors. Just like the DLR, the DLR-SD is available in two sizes, is easy to install, and meets all the same specifications.

#### Construction

- Cast aluminum housing with white polymer trim

#### Optical System

- Polystyrene diffuser and reflector cone create a uniform light distribution that reduces glare without sacrificing lumen output

#### Electrical

- Utilizes high performing LEDs with greater than 90 CRI and an R9 greater than 60\*
- Color tolerance tighter than the 3-step MacAdam ellipse for consistent color performance
- Dimmable to 10% with most TRIAC dimmers
- Dims smoothly from 3000K to 2000K
- Thermally protected, high efficiency driver
- Operating temperature rating of 0°F to 120°F (-18°C to 49°C)
- Input voltage of 120V
- Lifetime rated for greater than 60,000 hours
- LM-79, LM-80 testing performed in accordance with IESNA standards.
- Meets FCC Part 15, Subpart B, Class B standards for conducted and radiated emissions.

#### Finish

- Available in White polymer baffled trim

#### Installation

- Compatible with most 5" and 6" recessed housings
- Quick and easy installation with a screw-in Edison base (GU24 socket string available) and torsion spring mounting system

#### Warranty

- 5-year limited system warranty standard

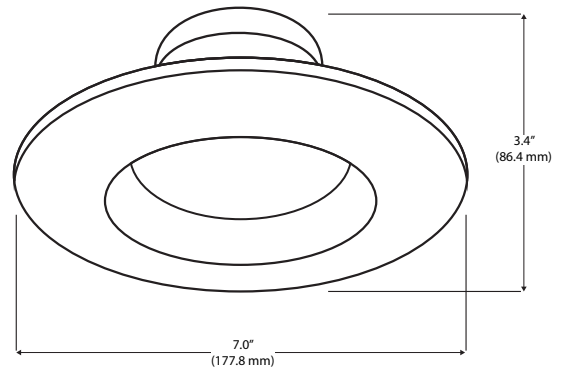
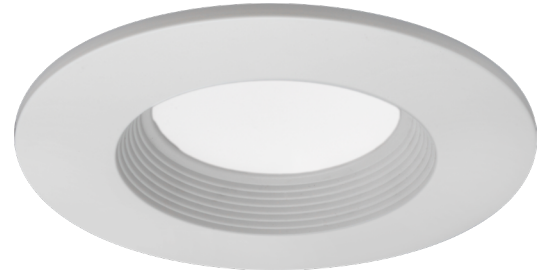
\* only at 3000K

Project

Date

Type

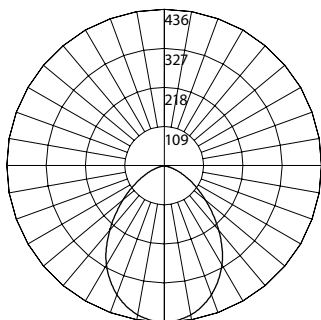
Date



## Photometric Data

### DLR56-SD

Input Voltage (VAC)	120V
System Level Power (W)	12.8
Delivered Lumens (Lm)	841
System Efficacy (Lm/W)	65.7
Correlated Color Temp (K)	2979
Color Rendering Index (CRI)	95
Beam Angle	84°
Spacing Criteria	1.12



#### Intensity Summary (Candle Power)

Angle	Mean CP
0	436
5	433
15	407
25	355
35	281
45	193
55	117
65	60
75	24
85	6
75	0

#### Cone of Light Tabulation

Mounted height (Feet)	Footcandles Beam Center	Diameter (Feet)
4	27.2	4.5
6	12.1	6.7
8	6.9	8.9
10	4.3	11.4
12	3.0	13.3
14	2.2	16.0
16	1.7	17.5

#### Zonal Lumen Summary

Zone	Lumens	% of Luminaire
0-30	319	37.9%
0-40	494	58.7%
0-60	748	88.9%
0-90	841	100.0%
90-180	0	0.0%
0-180	841	100.0%

Fixture tested per LM-79-08. Photometric data is of the performance of a representative fixture. Results may vary in the field.

#### Performance Data

Model Number	Lumens	Watts	Lumens/Watt
DLR56-SD-1007-WH-BF	841	12.8	65.7

#### Recommended Dimmers\*

Lutron DIVA DVELV-300P  
Lutron DIVA DVELV-303P  
Lutron Skylark SELV-300P

#### Housing Compatibility\*

**17014-LED-ID** 6" LED IC AIRTIGHT NEW CONST. HOUSING  
**17014AR-LED-ID** 6" LED IC AIRTIGHT REMODEL HOUSING  
MOST 5" OR 6" RECESSED HOUSINGS

\*Not a complete list. Check compatibility before installation.

## Ordering Information

Example: DLR56-SD-1007-WH-BF

Series	Version	Trim Color
<b>DLR56-SD</b>	<b>1007</b> (Version 1)	<b>WH-BF</b> (White Baffle)

Specifications and dimensions subject to change without notice.

### Accessories

accessories sold separately

GU24 Socket String

GU24-IDEAL-SKT-STR