

## Features

- Diverter spout with slip-fit connection
- 6-1/4" (159 mm) spout reach
- 1-1/8" (29 mm) max hole diameter
- Coordinates with other products in the Parallel collection

## Material

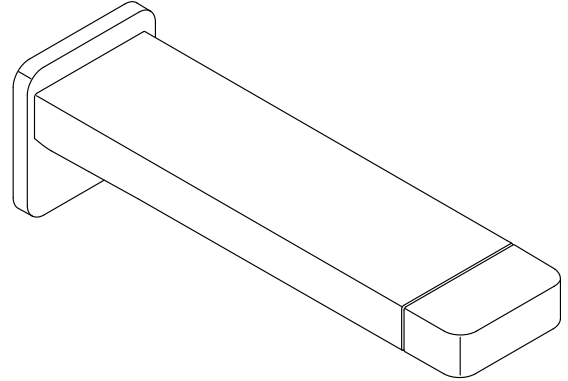
- Premium metal construction for durability and reliability
- KOHLER finishes resist corrosion and tarnishing

## Installation

- Wall-mount

## Recommended Products/Accessories

- K-21897 Double toilet paper holder
- K-23524 18" towel bar
- K-23525 24" towel bar
- K-23526 Towel arm
- K-23527 Vertical toilet paper holder
- K-23528 Pivoting toilet paper holder
- K-23529 Robe hook



**ADA**

## Codes/Standards



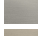
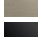




ASME A112.18.1/CSA B125.1  
California Energy Commission (CEC)  
ADA  
ICC/ANSI A117.1

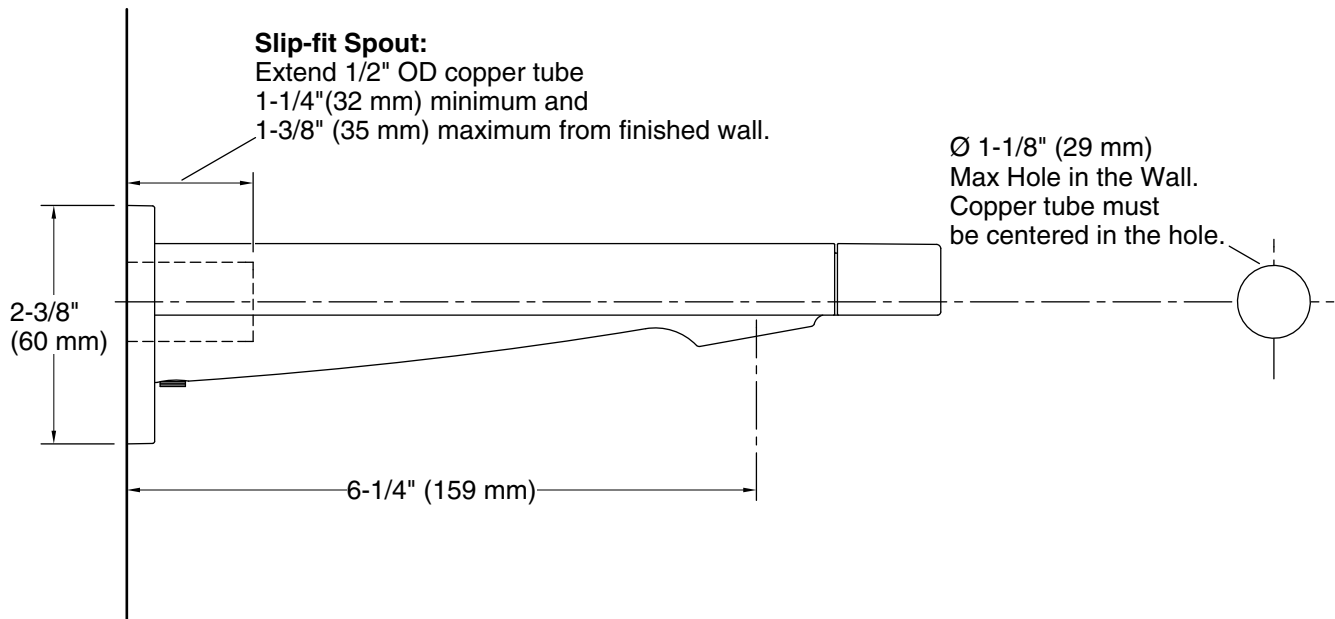
## KOHLER® Faucet Lifetime Limited Warranty

See website for detailed warranty information.

## Available Colors/Finishes

*Color tiles intended for reference only.*

Color	Code	Description
	CP	Polished Chrome
	SN	Vibrant® Polished Nickel
	BN	Vibrant® Brushed Nickel
	BV	Vibrant® Brushed Bronze
	BL	Matte Black
	2MB	Vibrant® Brushed Moderne Brass
	BGP	Vibrant Brushed Graphite
	TT	Vibrant Titanium



### Technical Information

All product dimensions are nominal.

#### Spout:

Spout reach: 6-1/4" (159 mm)

### Notes

Install this product according to the installation instructions.

ADA compliant when installed to the specific requirements of these regulations.