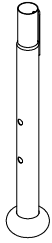


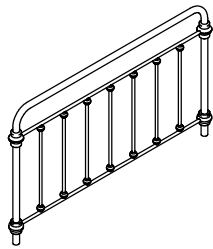
ASSEMBLY INSTRUCTION

426BQ METAL QUEEN BED

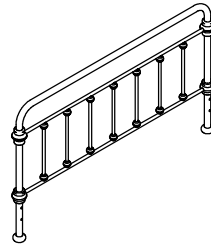
- A** Headboard Leg
- B** Headboard
- C** Footboard
- D** Front Rail Section



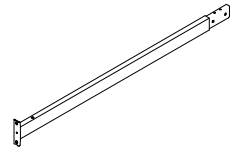
2PCS



1PC

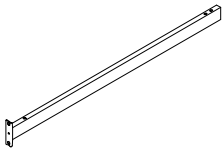


1PC



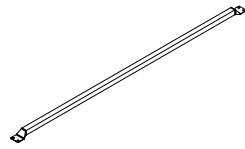
2PCS

- E** Rear Rail Section



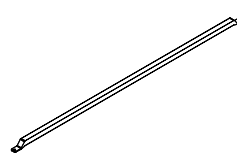
2PCS

- F** Center Support Bar



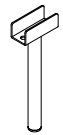
1PC

- G** Front / Rear Support Bar



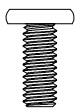
2PCS

- H** Support Leg



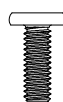
4PCS

- I** Bolt
5/16"*19mm



8PCS

- J** Bolt
1/4"*17.5mm

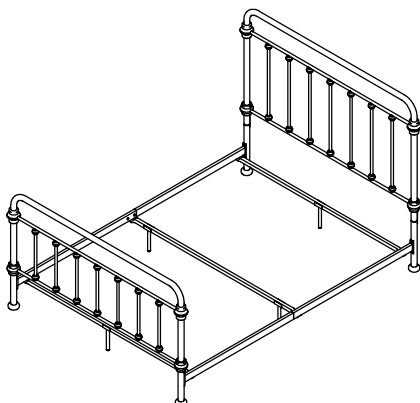


22PCS

- K** L-Allen Key
4mm



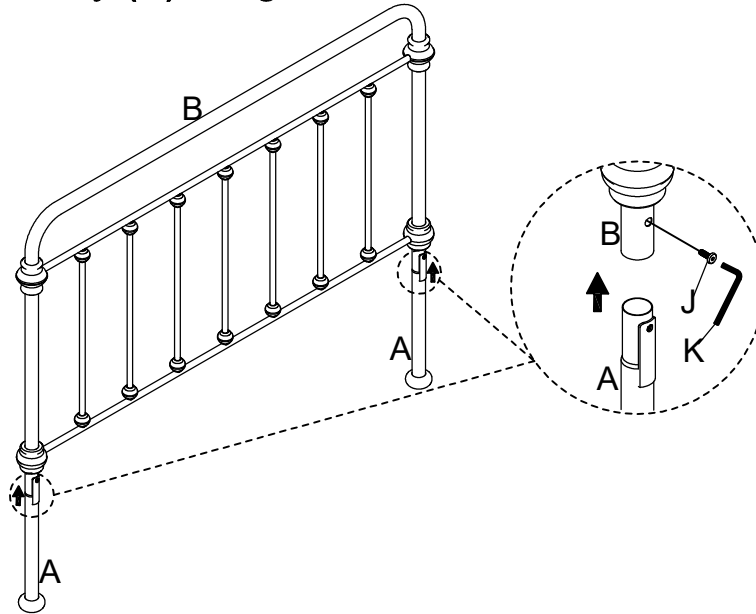
1PC



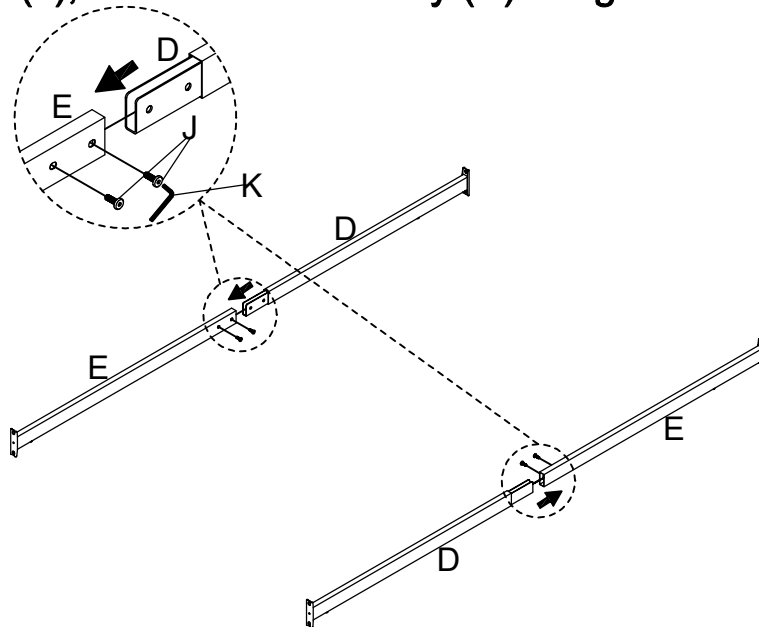
This page lists all the contents included in the box. Please take the time to identify the hardware as well as the individual components to this product. As you unpack and prepare for assembly, place the contents on a carpeted or padded area to protect them from damage.

1

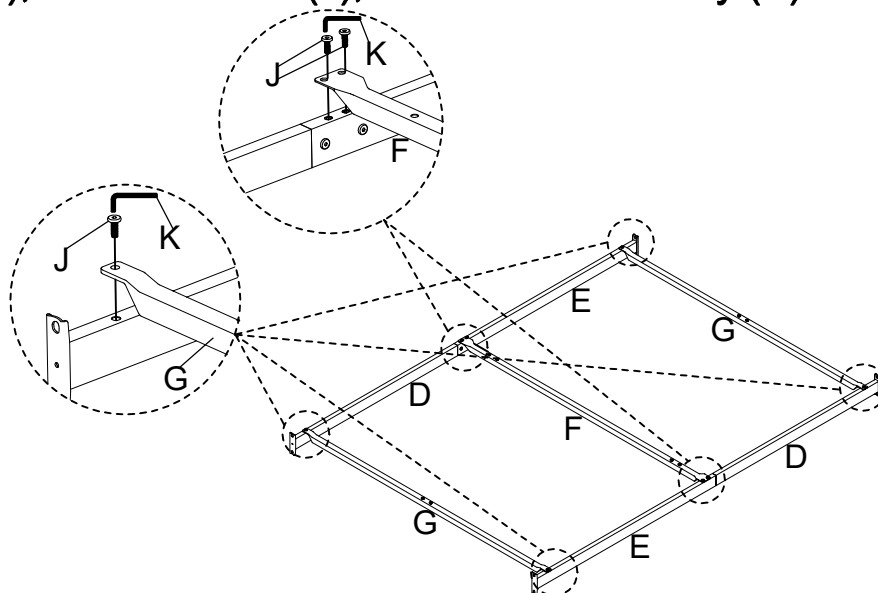
Insert the Headboard Leg (A) into the Headboard (B), insert the Bolt (J), turn the L-Allen Key (K) to tighten them.

**2**

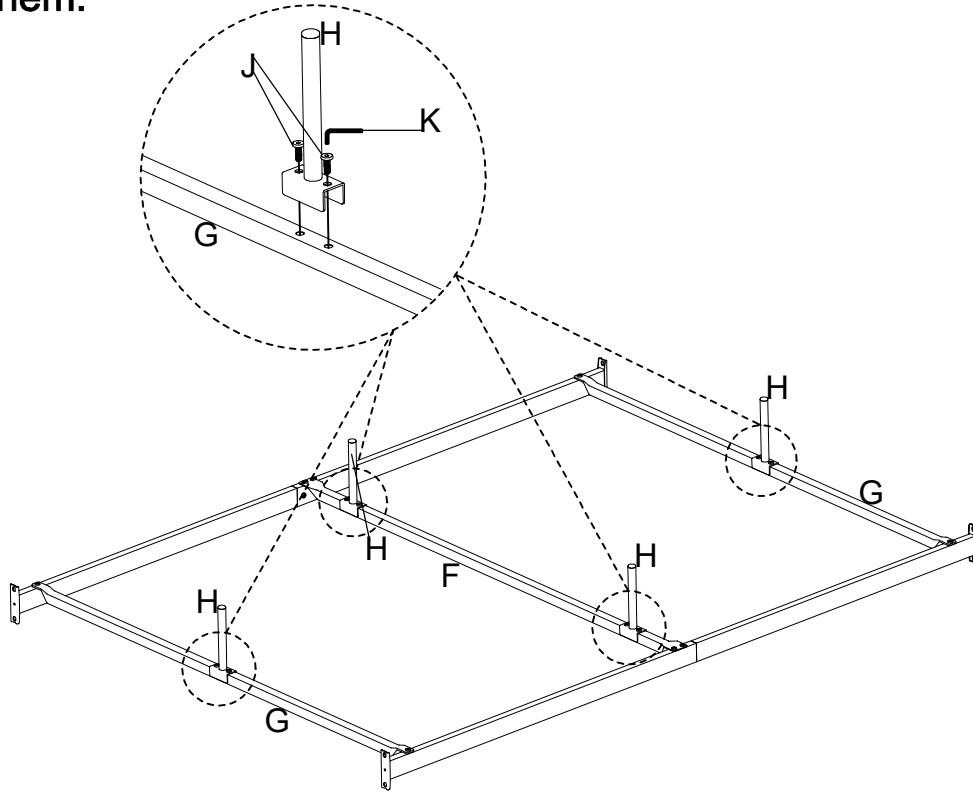
Insert the Front Rail Section (D) to the Rear Rail Section (E), and then insert the Bolt (J), turn the L-Allen Key (K) to tighten them.

**3**

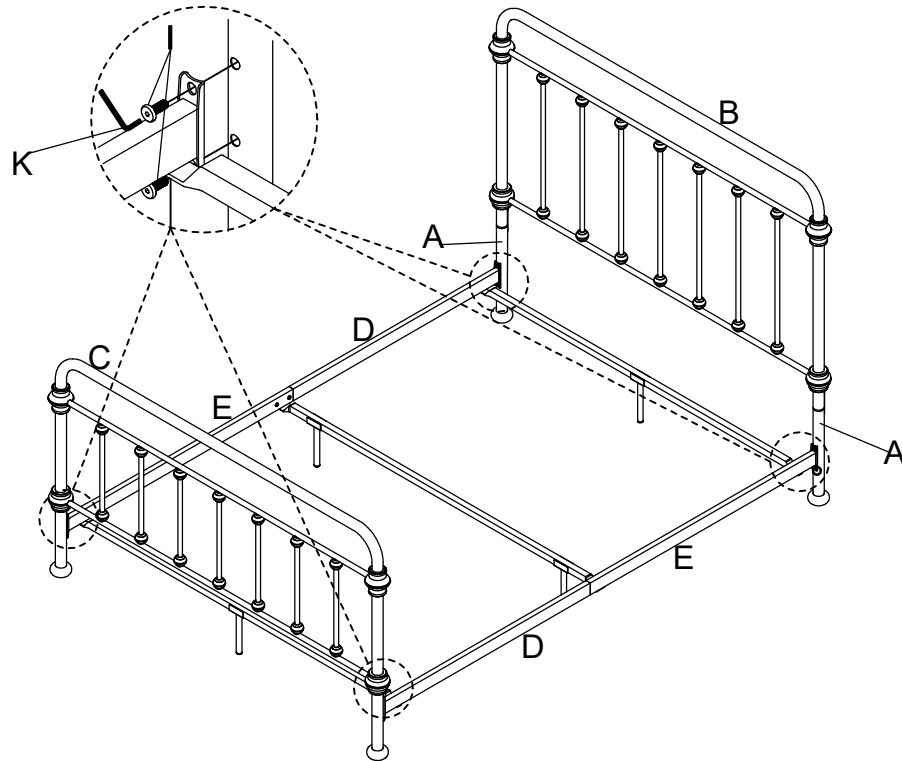
Attach the Front / Rear Support Bar (G) and Center Support Bar (F) to the Rail (D) & (E), insert the Bolt (J), turn the L-Allen Key (K) to tighten them.



4 Attach the Support Leg (H) to the Front / Rear Support Bar (G) and Center Support Bar (F), insert the Bolt (J), turn the L-Allen Key (K) to tighten them.



5 Attach the Rails (D) & (E) to the Headboard Leg (A) and Footboard (C), insert the Bolt (I), turn the L-Allen Key (K) to tighten them.



Cleaning & Care

Treat surface with care. Surface is resistant to scratches but is not scratch resistant. Clean surfaces with a dry or damp soft cloth. Do not use abrasive cleaners. Hardware may loosen over time. Periodically check that all connections are tight.