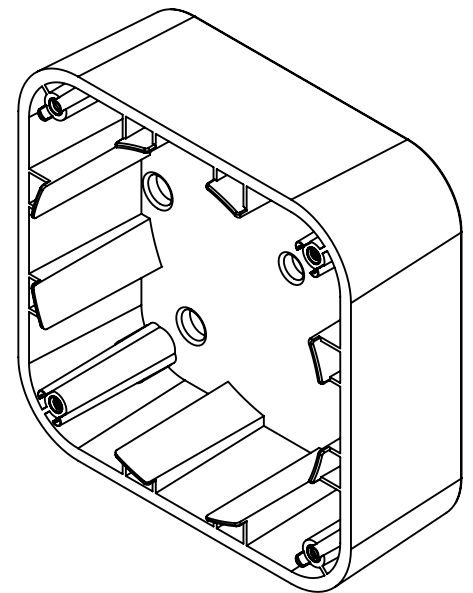
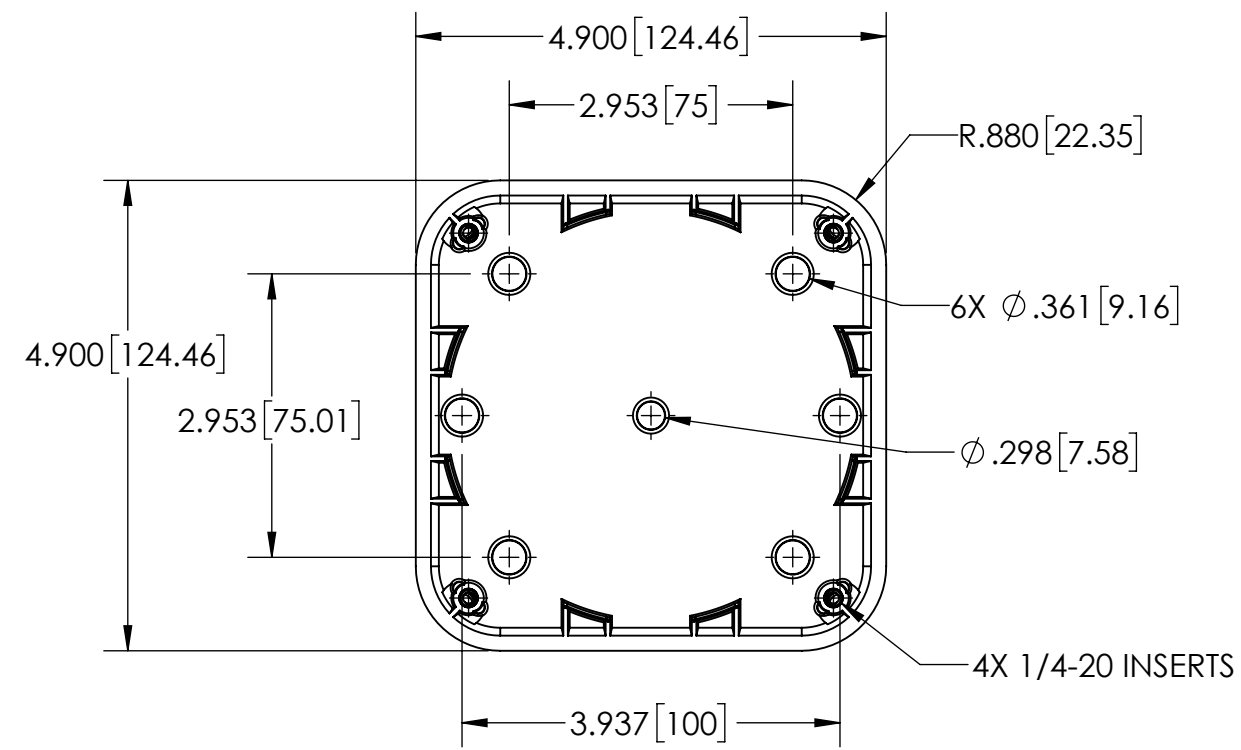
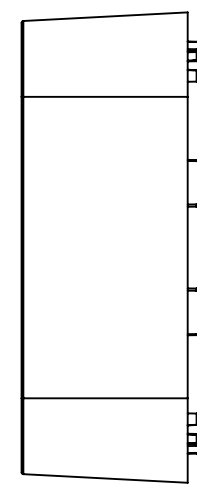
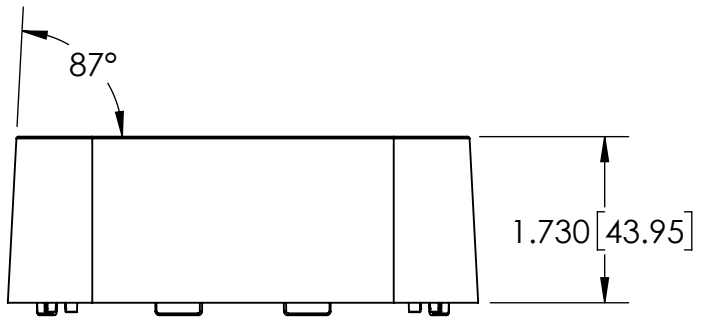


4

3

2

1



70348 LP WALLSTATION UNIVERSAL BOX BLACK  
70349 LP WALLSTATION UNIVERSAL BOX WHITE

METRIC/INCHES	iPort a DANA INNOVATIONS COMPANY	
DESIGNED IN SAN CLEMENTE, CALIFORNIA BY iPORT	NAME LP WALLSTATION UNIVERSAL BOX	
<small>NOTICE OF PROPRIETARY INFORMATION: THE INFORMATION CONTAINED HEREIN IS THE PROPRIETARY PROPERTY OF DANA INNOVATIONS. THE POSSESSOR AGREES TO THE FOLLOWING: 1. TO MAINTAIN THIS DOCUMENT IN CONFIDENCE 2. NOT TO REPRODUCE OR COPY IT 3. NOT TO REVEAL OR PUBLISH IT IN WHOLE OR IN PART 4. ALL RIGHTS RESERVED</small>	SIZE	REV
	<b>B</b>	<b>B</b>
SCALE: 1:2	WEIGHT:	SHEET 1 OF 1

4

3

2

1

B

B

A

A