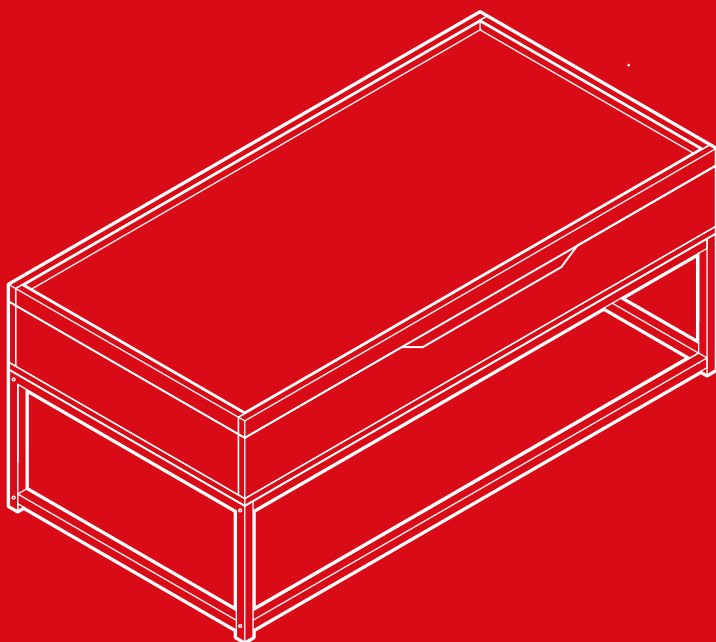




BEST CHOICE
PRODUCTS



INSTRUCTION MANUAL

Lift Top Coffee Table



bestchoiceproducts

As shoppers, we're always trying to find the perfect balance between quality & value. At BCP, we believe we've achieved that. Our diverse catalog of everyday essentials is tailored especially to our customers & guaranteed to hit that sweet spot of high quality & low price.

— Always. —

! NOTICE

Please retain these instructions for future reference.

- Firmly secure all bolts, screws and knobs before use.
- Reconfirm that all bolts, screws, and knobs are secure every 90 days.
- Do not use or store this item in the proximity of open flame or flammable/combustible chemicals.
- Always lay components on a clean, soft-cushioned surface during assembly.
- Improper installation may cause damage to the product.
- Product is intended for indoor use only.
- If any parts are missing, broken, damaged, or worn, stop using this item until repairs are made and/or factory replacement parts are installed.
- Do not use this item in a way inconsistent with the manufacturer's instructions as this could void the product warranty.
- To wipe down the furniture, use a damp cloth. Then, wipe it down once more with a dry cloth.
- Reconfirm that all bolts, screws, and knobs are secure every 90 days.
- Be aware that extra hardware may be included.

TOOLS REQUIRED



ALLEN WRENCH
(PROVIDED)



PHILLIPS
SCREWDRIVER



ELECTRIC DRILL
(RECOMMENDED)



90 LBS
CAPACITY





2 PERSON
ASSEMBLY





UP TO 45 MIN.
ASSEMBLY


HARDWARE


A M6 x 30mm
DOWEL

18 PCS


B M6 x 35mm
CAM BOLT

20 PCS


C M15 x 10mm
CAM LOCK

20 PCS


D CAM COVER

8 PCS


E TABLE TOP
PAD

8 PCS


F M4 x 14mm
SCREW

24 PCS

G M6 x 12mm
SCREW

2 PCS

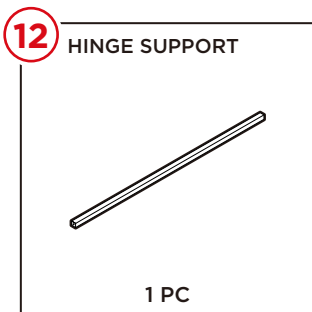
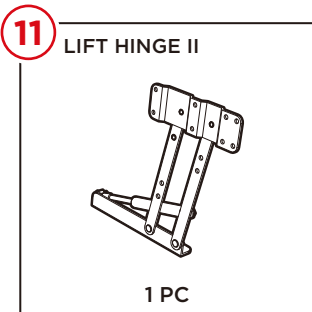
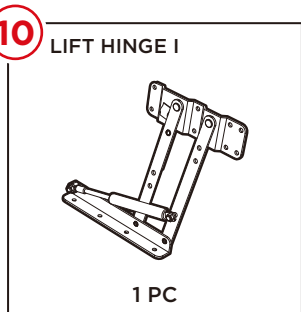
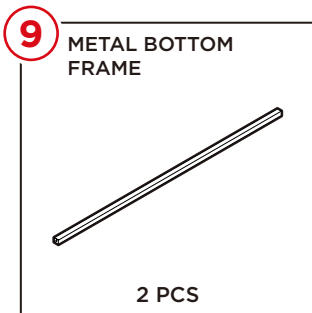
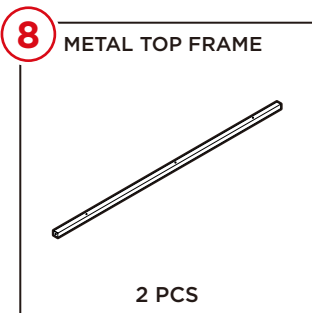
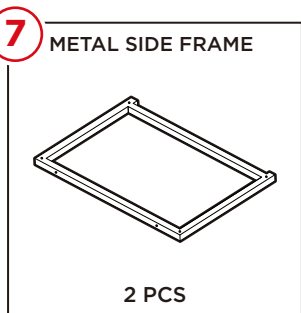
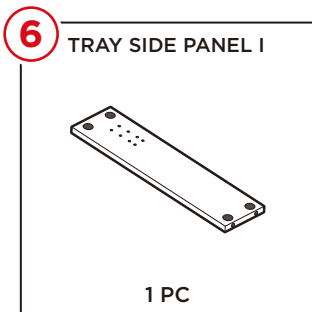
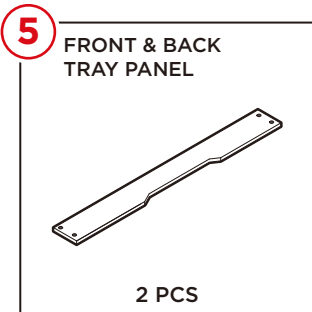
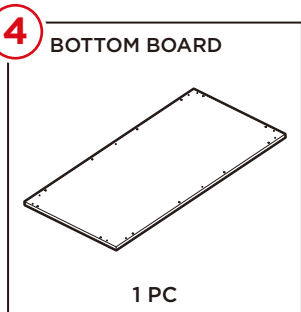
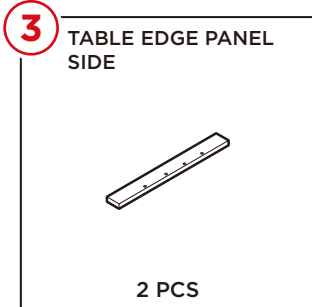
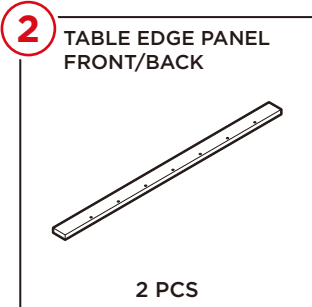
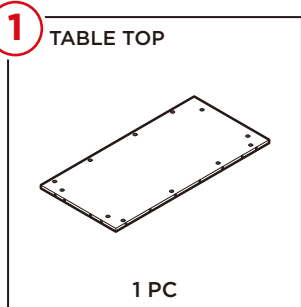
H M4 x 35mm
WOOD SCREW

12 PCS

I M4 x 30mm
SCREW

6 PCS

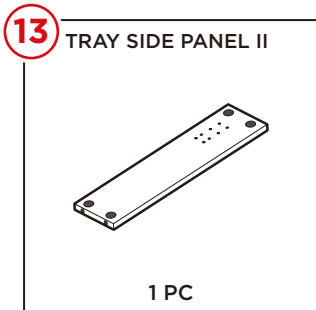
J M6 x 35mm
SCREW

8 PCS

K M6 x 30mm
SCREW

4 PCS

PARTS



PARTS

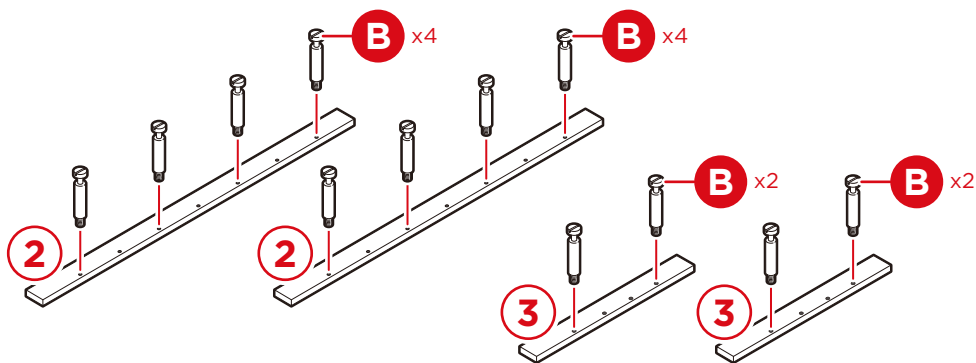


PRODUCT ASSEMBLY

1

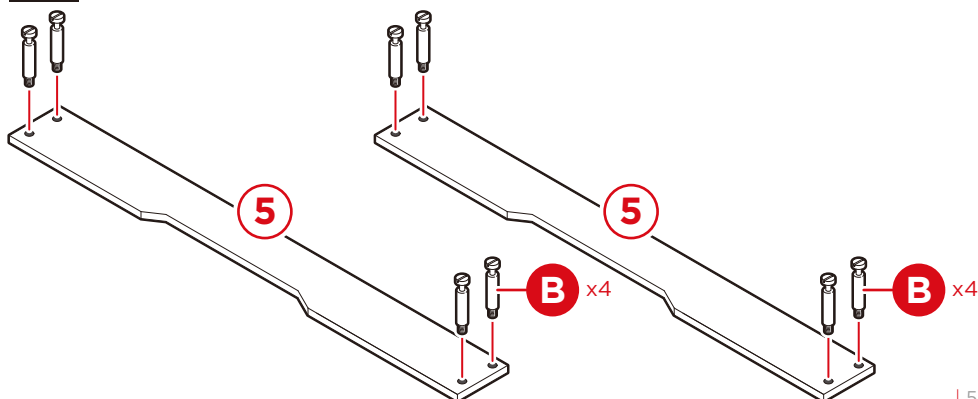
Locate two **part 2 table edge front/back panels** and insert eight **part B cam bolts**, four bolts per panel and set aside.

Locate two **part 3 table edge side panels** and insert four **part B cam bolts**, two bolts per panel and set aside.



2

Insert eight **part B cam bolts** into two **part 5 front & back tray panels**, four bolts per panel and set aside.



PRODUCT ASSEMBLY

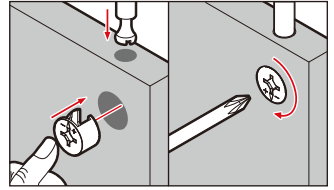
3

Locate the **part 1 table top** and insert twelve **part C cam locks**.

Insert ten **part A dowels** into the table top, two dowels on each short side, and three dowels on each long side.

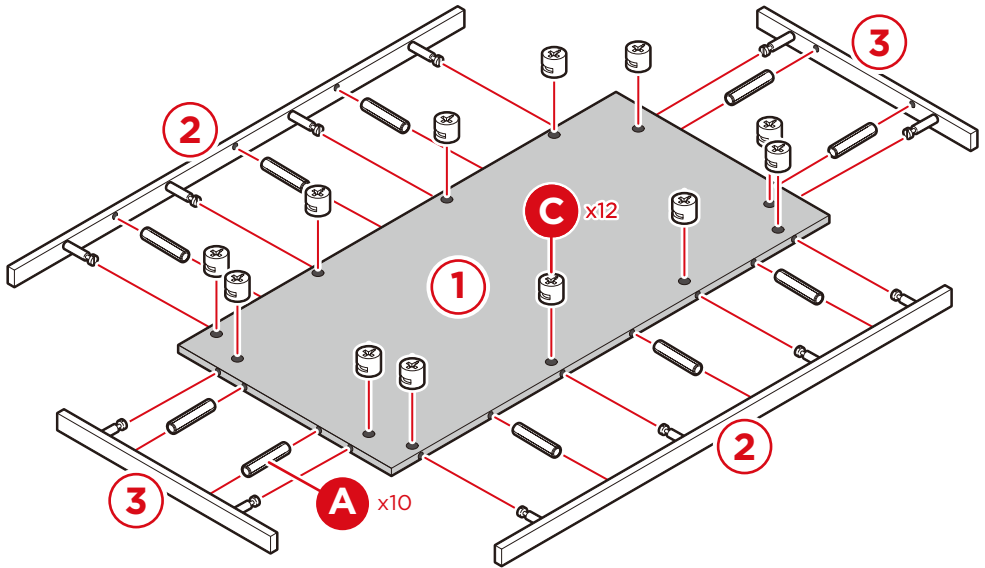
Attach the **part 2 & 3 table edge panels** to the **part 1 table top**, then secure by turning the cam locks. Set aside the table top assembly.

NOTE: Attach **parts 3 & 2** so they are level with the bottom of **part 1**.

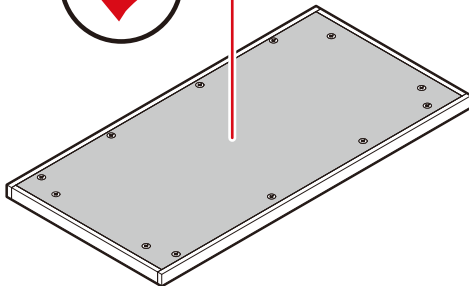


Use a screwdriver to turn the cam lock to secure the cam bolt.

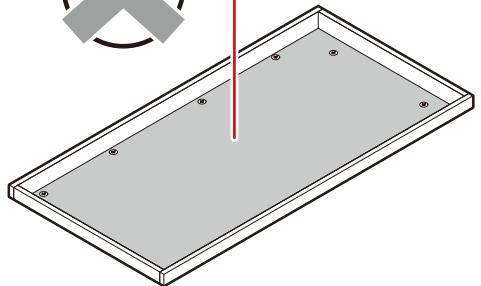
BOTTOM VIEW



BOTTOM VIEW



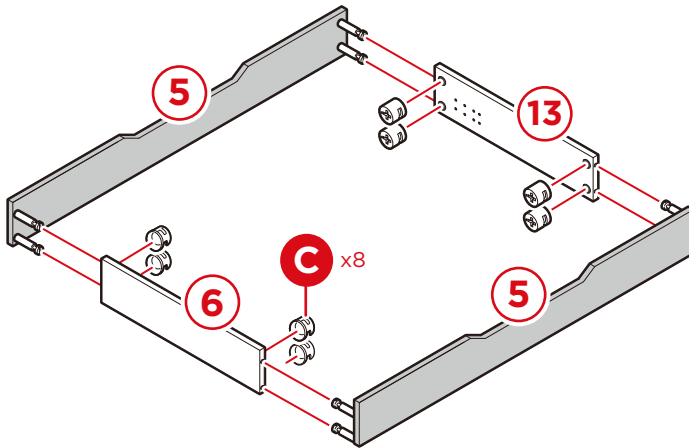
BOTTOM VIEW



PRODUCT ASSEMBLY

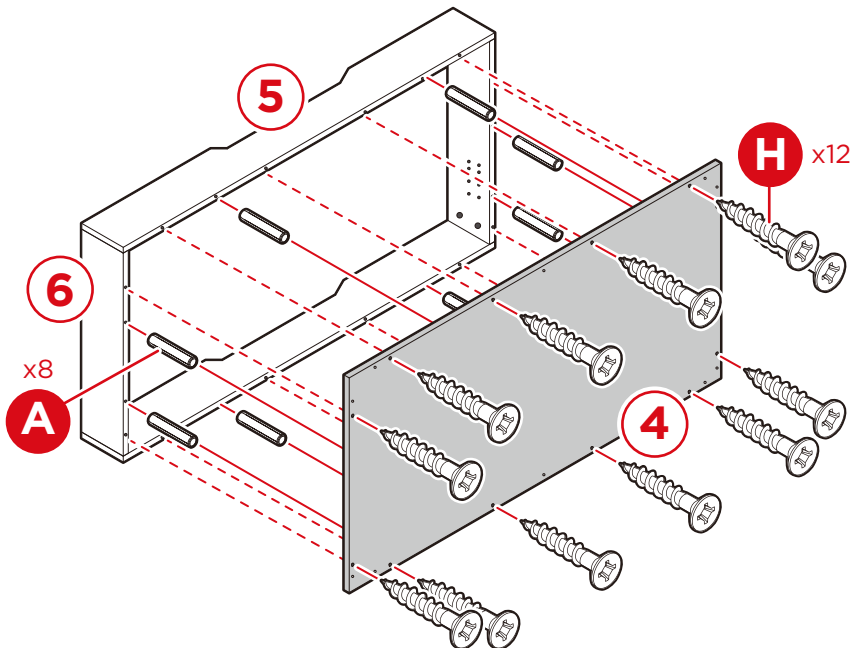
4

Locate the **part 6 & 13 tray side panels** and insert eight **part C cam locks**, four locks per panel. Attach two **part 5 front & back base panels** to the **part 6 & 13 side panels**, then secure by turning the cam locks.



5

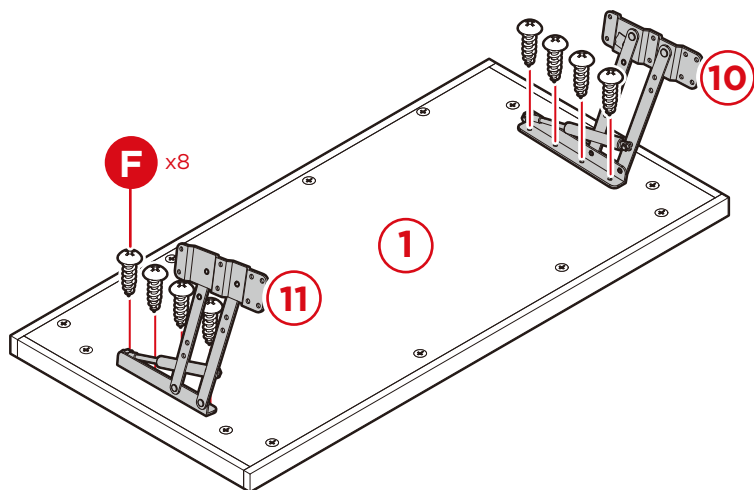
Locate the tray panel assembly (see previous step) and insert eight **part A dowels**, two dowels per panel. Attach the tray panel assembly to the **part 4 bottom board** with twelve **part H screws**. Set aside the tray assembly.



PRODUCT ASSEMBLY

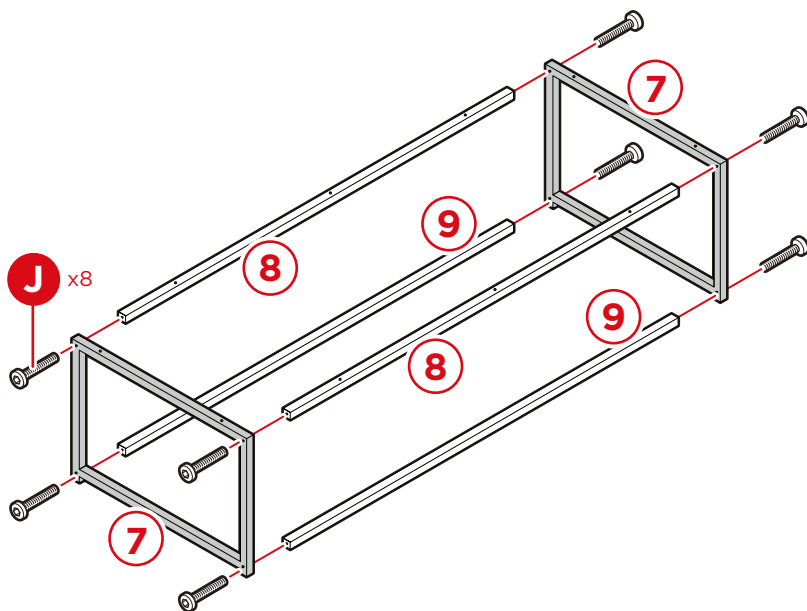
6

Locate the table top assembly, then attach the **part 10 & 11 lift hinges** with eight **part F** screws, four screws per hinge.



7

Attach two **part 8 metal top frames** and two **part 9 metal bottom frames** to two **part 7 metal side frames** with eight **part J** screws.



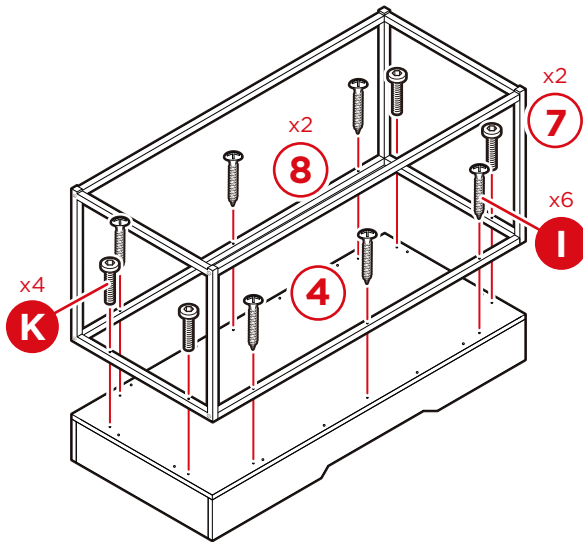
PRODUCT ASSEMBLY

8

Flip the tray assembly, then attach the metal frame assembly.

Attach the **part 7 side frames** to the **part 4 bottom panel** with four **part K screws**.

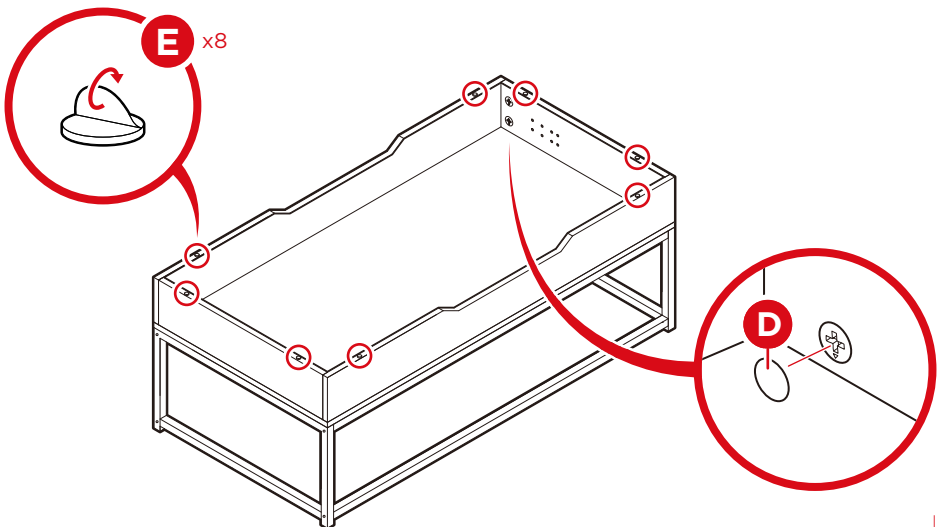
Attach the **part 8 top frames** to the **part 4 bottom panel** with six **part I screws**.



9

Flip the base assembly upright, then cover the eight exposed cam bolts with eight **part D cam covers**.

Place eight **part E table top pads** onto the tray assembly, 2 pads per corner.

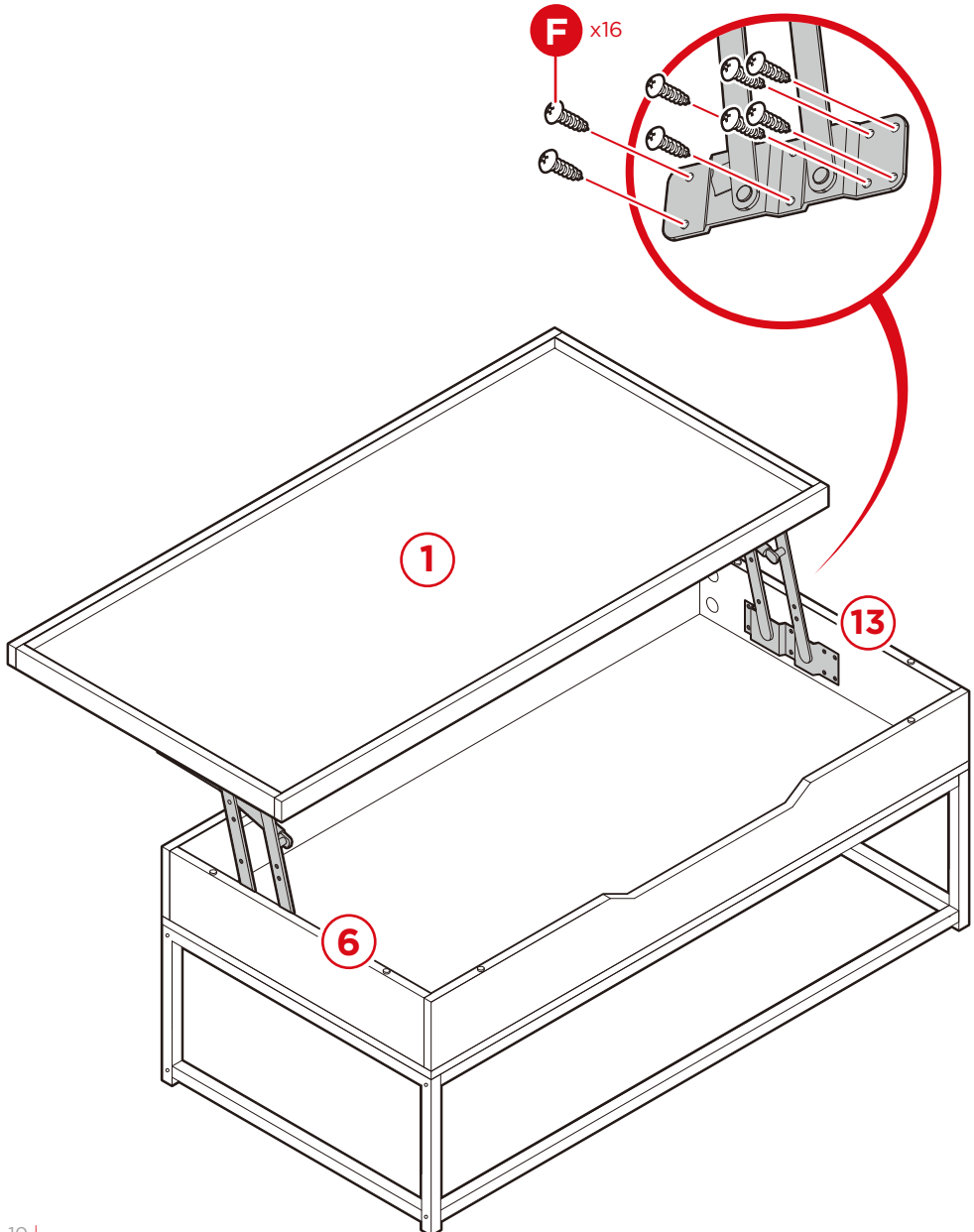


PRODUCT ASSEMBLY

10

Attach the **part 10 & 11 hinges** to the **part 6 & 13 side panels** with sixteen **part F screws**, eight screws per hinge.

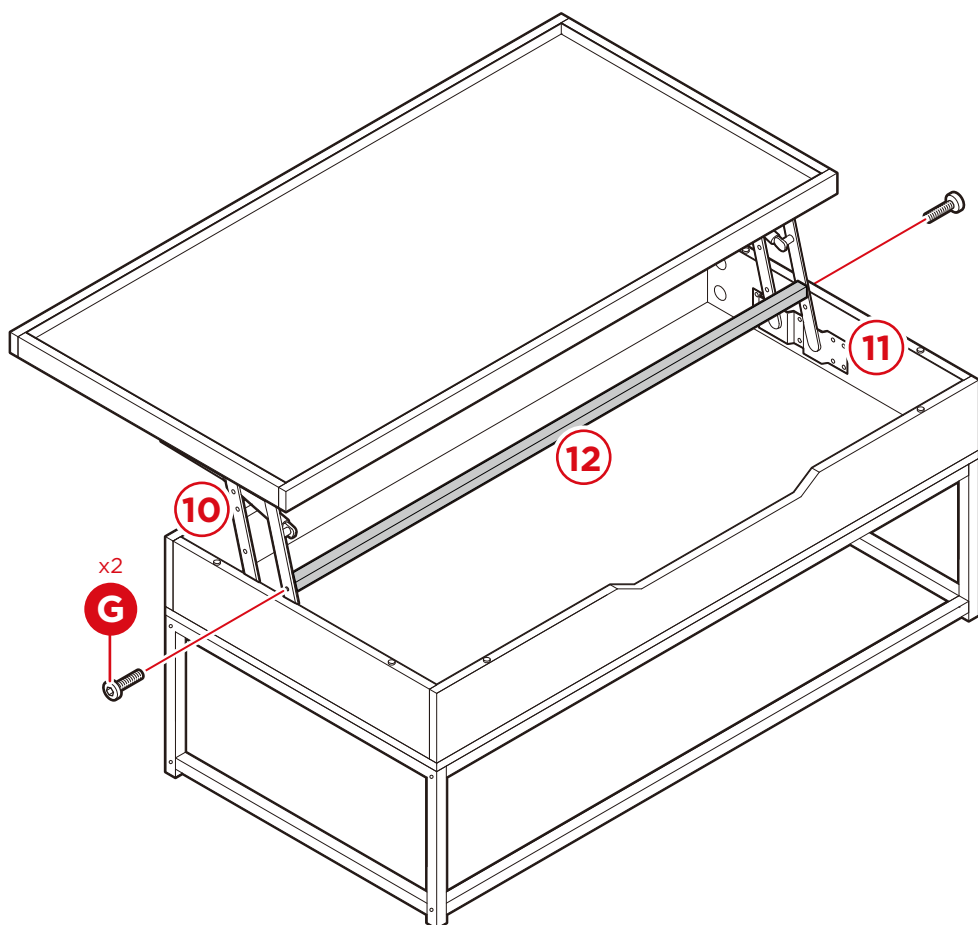
NOTE: It is recommended that a second person hold the tabletop upright while a second attaches the hinges. A power drill is also recommended.



PRODUCT ASSEMBLY

11

Attach the **part 12 hinge support** to the **part 10 & 11 hinges** with two **part G screws**.





HELP CENTER



Question about your product? We're here to help. Visit us at:

help.bestchoiceproducts.com



Chat Support



Product Inquiry



Orders FAQ



Product Assembly



Returns & Refunds

PRODUCT WARRANTY INFORMATION

All items can be returned for any reason within 60 days of the receipt and will receive a full refund as long as the item is returned in its original product packaging and all accessories from its original shipment are included. All returned items will receive a full refund back to the original payment method. All returned items will not be charged a re-stocking fee.

All returned items require an RA (Return Authorization) number, which can only be provided by a Best Choice Products Customer Service Representative when the return request is submitted. Items received without an RA may not be accepted or may increase your return processing time. Once an item has been received by Best Choice Products, refunds or replacements will be processed within 5 business days.

All returns must be shipped back to the Best Choice Products Return Center at the customer's expense. If the reason for return is a result of an error by Best Choice Products then Best Choice Products will provide a pre-paid shipping label via email. Boxes for return shipping will not be provided by Best Choice Products, and is the customer's responsibility to either use the original shipping boxes or purchase new boxes.

Pictures may be required for some returns to ensure an item is not damaged prior to its return. Items returned are not considered undamaged until they are received by Best Choice Products and verified as such. All damages to items are the customer's responsibility until the item has been received by and acknowledge by Best Choice Products as undamaged.



WARNING

Manufacturer and seller expressly disclaim any and all liability for personal injury, property damage or loss, whether direct, indirect, or incidental, resulting from the incorrect attachment, improper use, inadequate maintenance, unapproved modification, or neglect of this product.