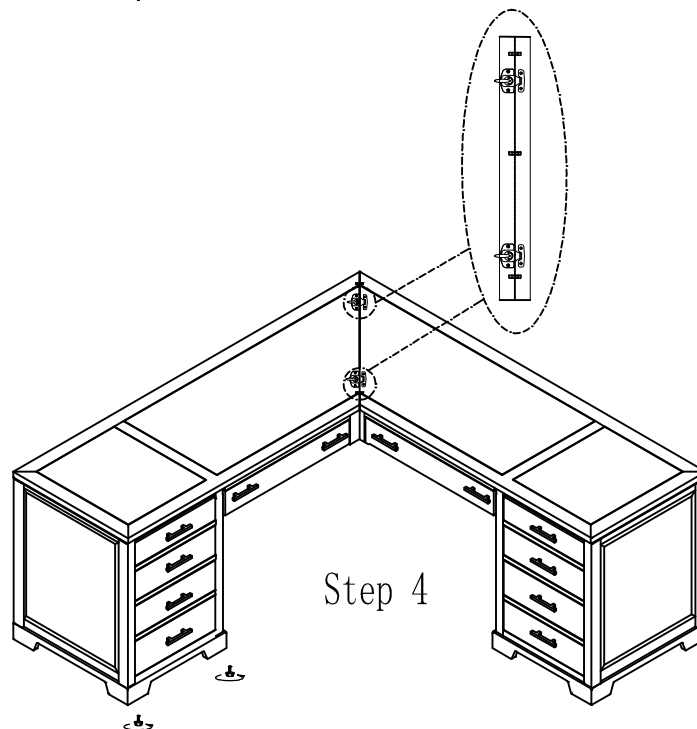
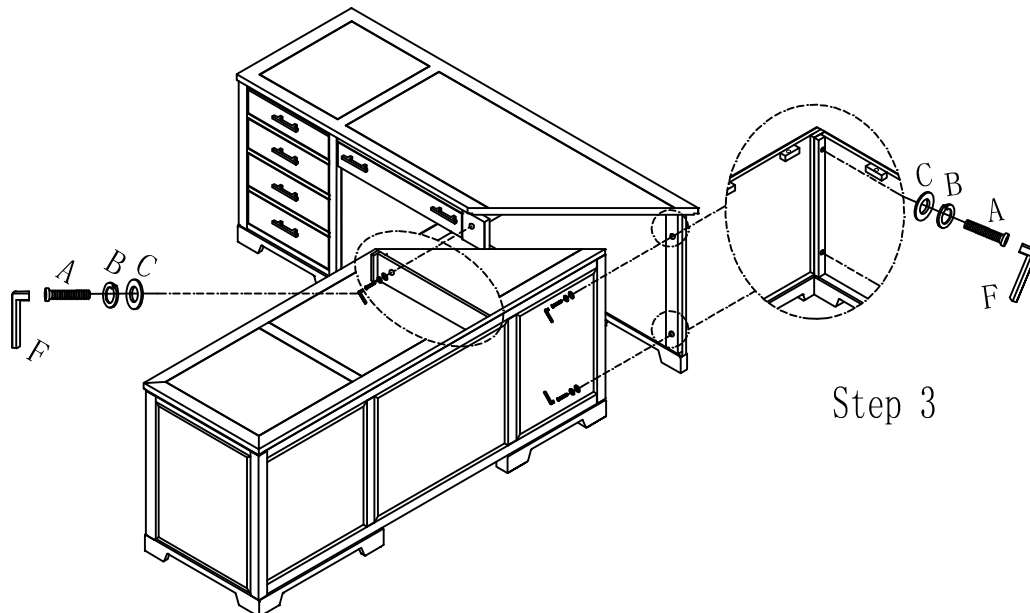


HEKMAN

A HOWARD MILLER COMPANY

ASSEMBLY INSTRUCTIONS

79187-Desk RHF-LHF Door Unit



Step 3: place the right and left assemblies in there final location. Attache side panels and top panels together with Bolt (A) and lock washer (B), flat washer (C) using wrench (F)
 Step 4: Step 5: Install the drawers and writing pads after finishing assemble.

MADE IN VIETNAM