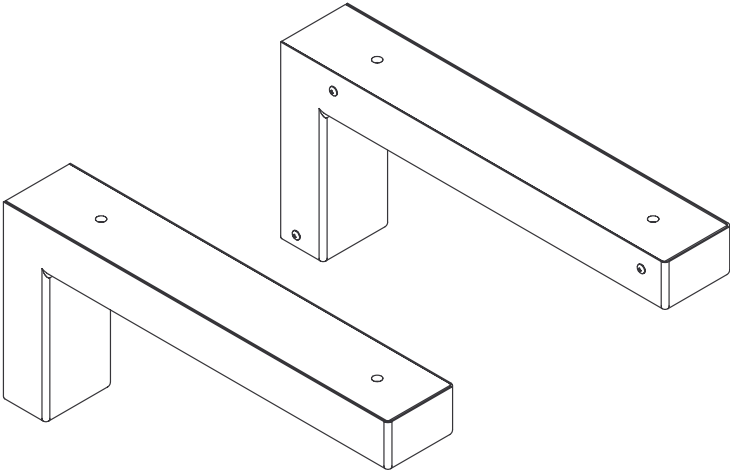
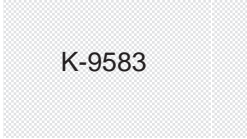


Installation Guide

Purist™ Lavatory Bracket Kit



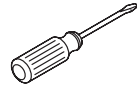
Recommended Tools and Materials



Pencil



Measuring Tape



Phillips
Screwdriver

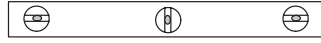
Screws



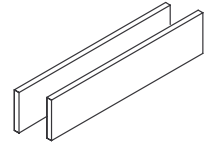
Safety Glasses



Drill



Level

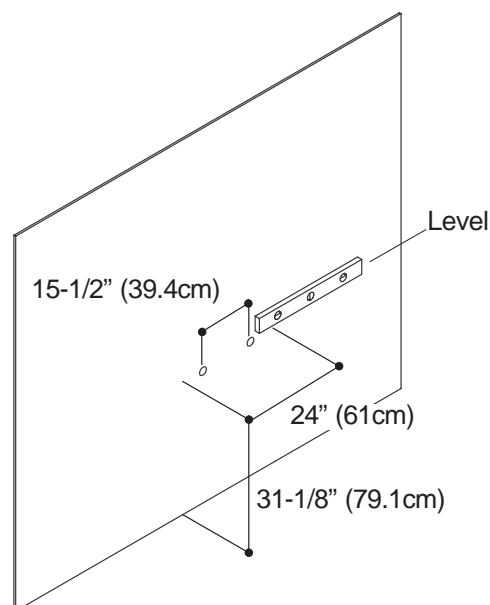
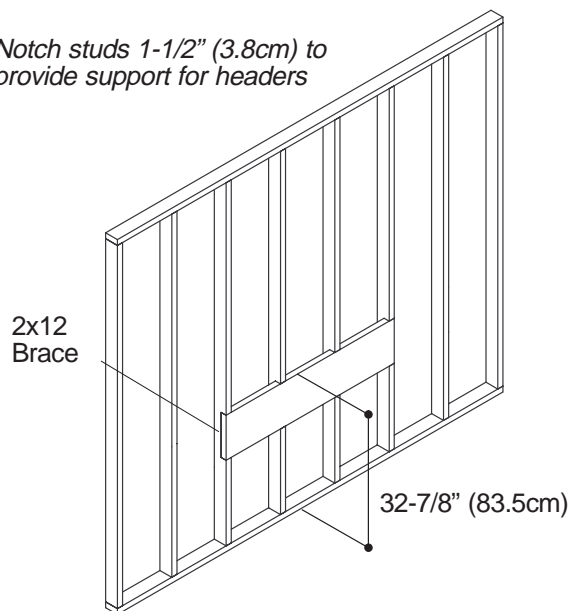


2x12 Lumber

Before You Begin

- Use the proper lag screws (not provided) for your installation. The type of lag screws used will vary according to your wall material.
- Do not complete the finished wall until braces for each component in your installation have been installed.
- Do not complete the finished wall until all needed plumbing and electrical rough-ins have been completed.
- If installing multiple Purist components (cabinet, countertop, lavatory, etc.) read all product installation instructions before beginning. Some components should be installed before others. Refer to Homeowners Guide for sample configurations.

Notch studs 1-1/2" (3.8cm) to provide support for headers



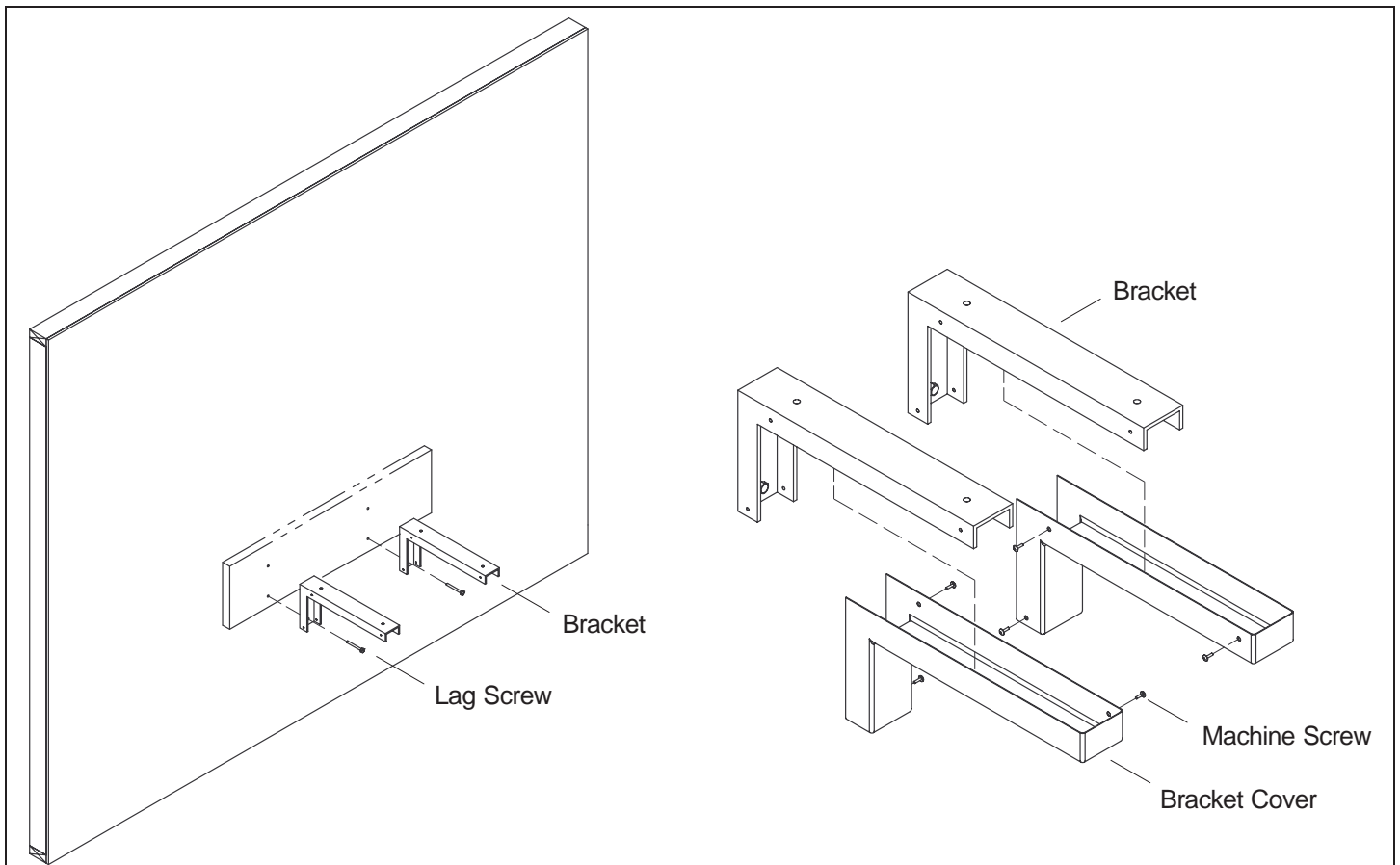
1. Wall Preparation

CAUTION: Risk of personal injury and product damage. Extend the brace beyond the lavatory to the nearest stud. This will ensure proper support for the lavatory.

- Install a 2x12 brace for proper support of brackets. Locate top of header 32-7/8" (83.5cm) from floor. This measurement is based on a finished height of 35" (88.9cm) from floor to top of lavatory.
- Notch out the studs as shown to ensure proper support. The studs should be front notched 1-1/2" (3.8cm).
- If installing mirrored cabinets K-3092/93, rough-in the plumbing according to the instructions packed.
- If installing mirrored cabinets K-3082/83/89/90, rough-in the plumbing and electrical according to the instructions packed.
- Rough-in the supplies, drain and trap.
- Complete the finished wall.
- Measure 31-1/8" (79.1cm) from the floor and mark with a pencil. This is where the top of the brackets will be installed.
- Using a level, draw a horizontal line the length of the lavatory. Measure brackets 15-1/2" (39.4cm) apart from center to center.

NOTE: It is important to check for level before drilling holes.

- Place the tops of the brackets to the line and mark the mounting hole locations for predrilling. Predrill mounting holes.
- If K-3081 wall-mount vanity is being installed under the lavatory, install mounting cleat (only) at this time following the installation instructions packed with the vanity.



2. Install the Brackets

⚠ CAUTION: Risk of personal injury and product damage. If one bracket is out of level with the other, lavatory could break. Shim as needed between bracket and wall.

- Attach the brackets to the wall using the proper lag screws (not provided). The type of lag screw needed will vary according to the finished wall.
- Place a level on brackets at both ends (near wall and away from wall), and verify that brackets are level with each other.
- Install the lavatory according to the installation instructions packed with it.

3. Install the Bracket Covers

NOTE: Make sure to use the correct bracket cover for a left or right-handed bracket. Screw holes should face inward.

- Place the bracket covers over the brackets.
- Use the machine screws provided to attach the bracket covers.