

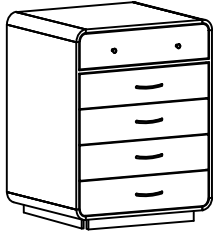
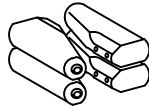
ASSEMBLY INSTRUCTIONS

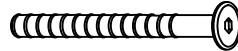




Item No : B1078-070
REX CHEST
 (1PC PER CARTON)

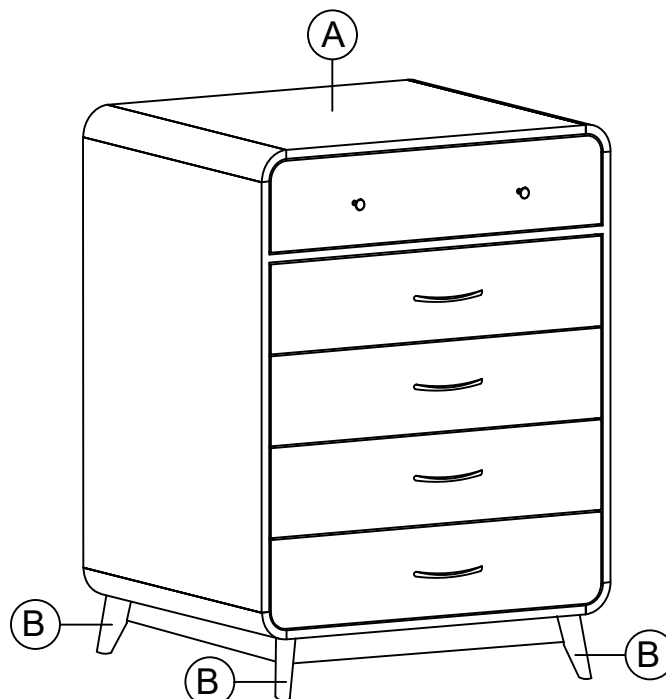
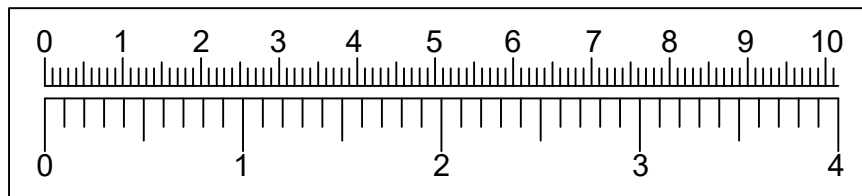
Thank you for purchasing this quality product. Be sure to check all packing materials carefully for small parts, which may have come loose inside the carton during shipment. Identify and count all items and compare with the parts list and/or hardware list shown below.

Cautions :

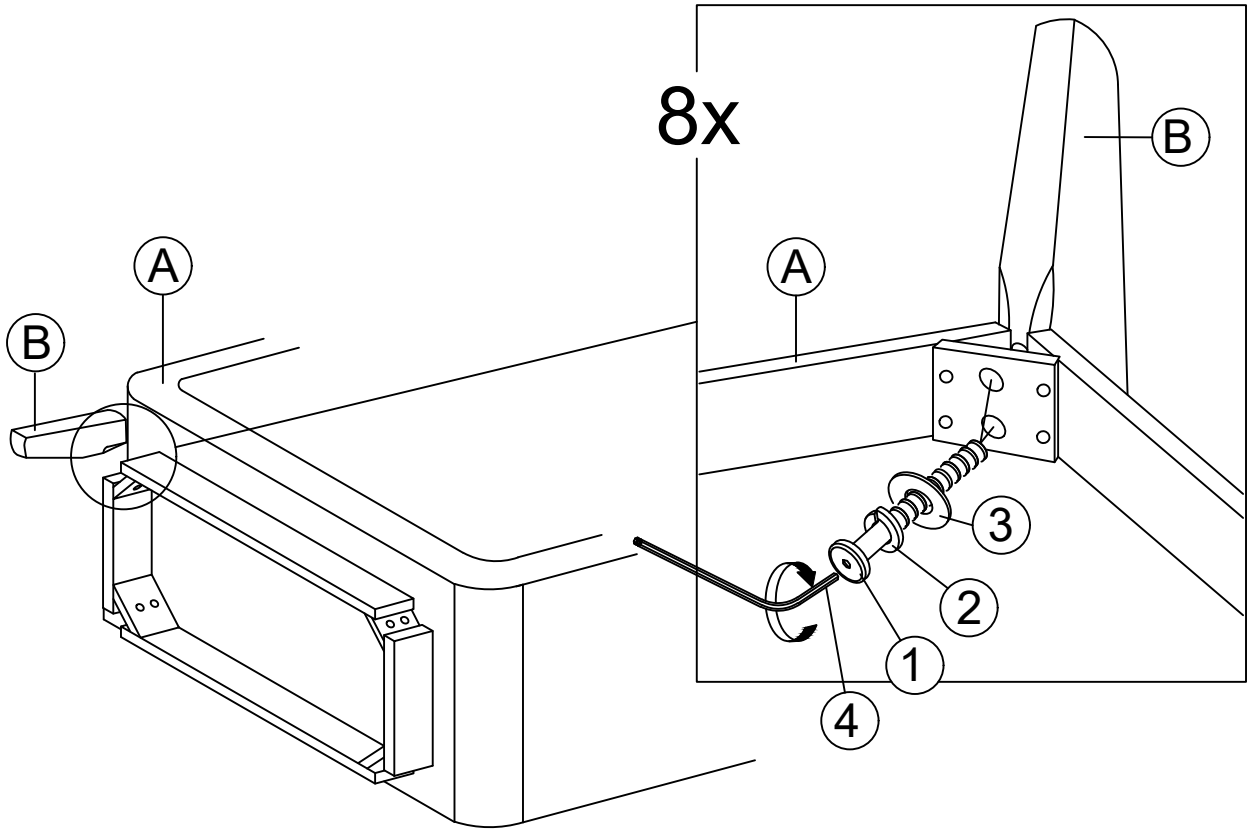
- (1) Do not fully-tighten the nuts or bolts until all nuts and bolts are assembled.
 (To avoid causing damages to the thread, do not over-tighten the nuts or bolts.)
- (2) Keep all hardware part out of reach of children.

PARTS LIST			
NO	DESCRIPTION	SKETCH	QTY
A	CHEST		1 PC
B	LEG		4 PCS

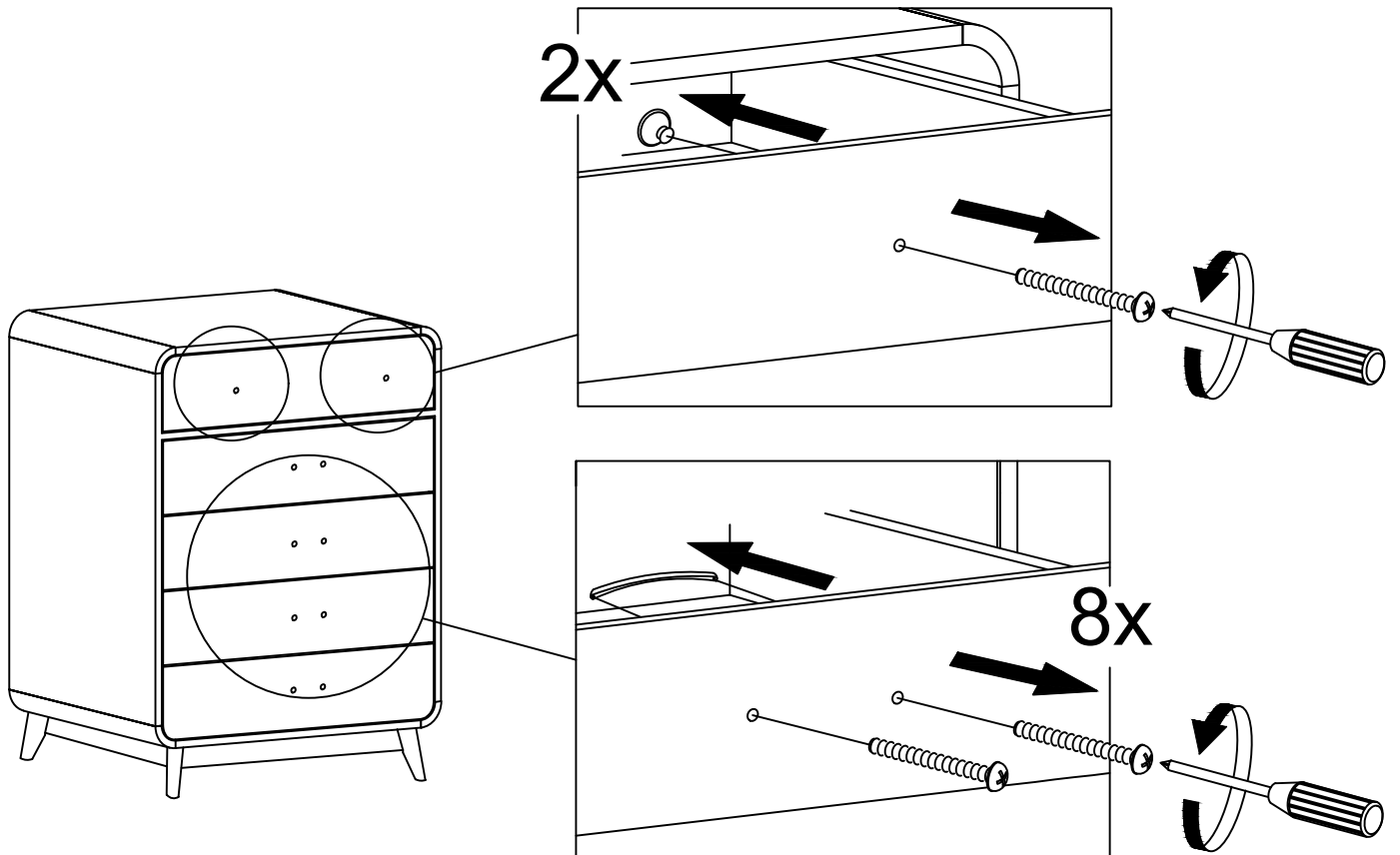
HARDWARE LIST			
NO	DESCRIPTION	SKETCH	QTY
1	BOLT 1/4" X 2 3/4"		8 PCS
2	SPRING WASHER 1/4"		8 PCS
3	FLAT WASHER 1/4"		8 PCS
4	ALLEN KEY		1 PC
5	ANTI-TIP KIT		1 PC



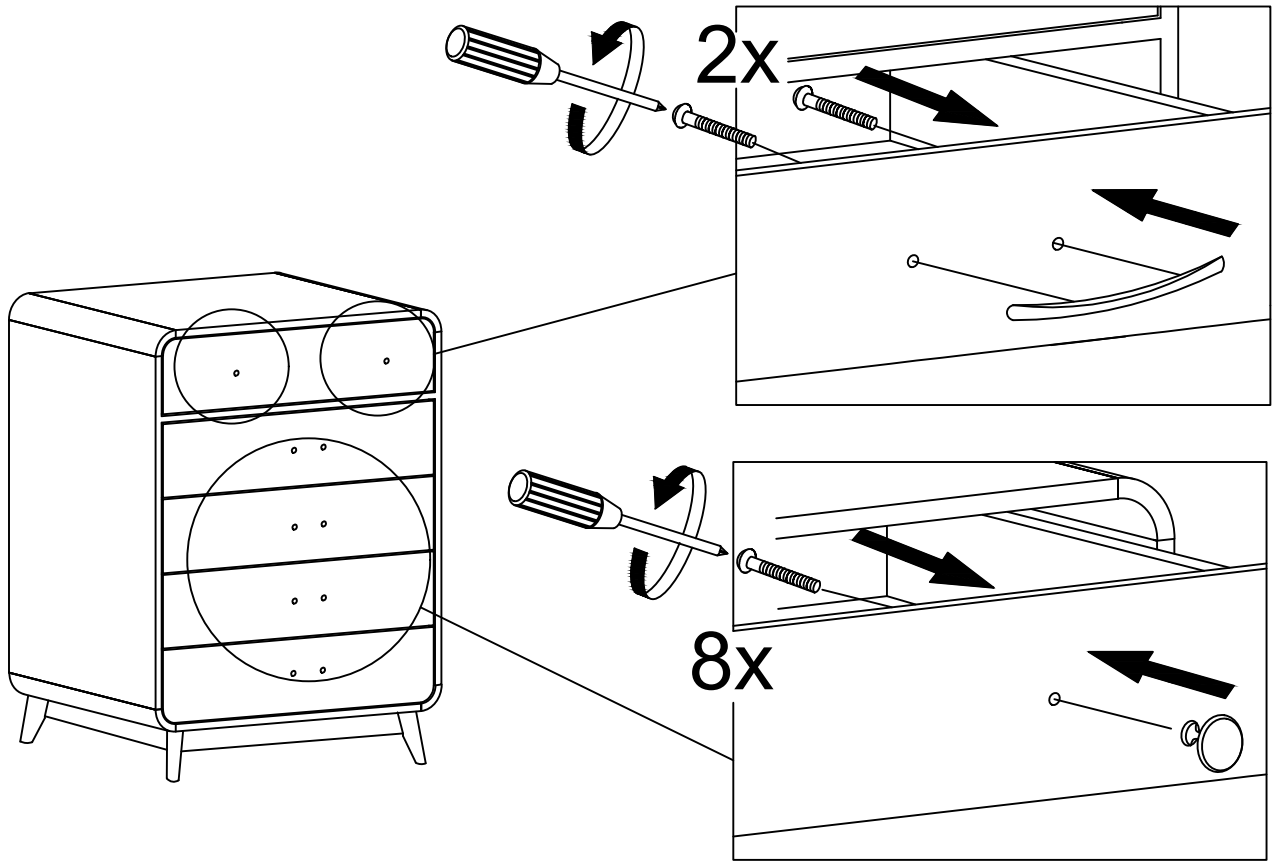
STEP 1 : Lay the Chest (A) down on a flat and clean surface. Assemble the Leg (B) to the Chest (A) by using Allen key (4) and the hardware Bolt 1/4" x 2 3/4" (1), Spring washer (2) & Flat washer (3).



STEP 2 : Pull open the drawer and remove the knob or handle from the inside of the drawer by using a screwdriver.



STEP 3 : Assemble the knob or handle to the front of the drawer by using a screwdriver.



STEP 4 : Attach the Anti-tip kit (5) to the wall and behind the Chest (A) with a screwdriver.

