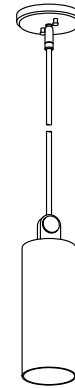


Features

- Rounded glass shades join pristinely with decorative mounts, creating an elegant simplicity
- Height adjustable from 20-15/16" (532 mm) to 57" (1448 mm)
- Requires bulbs with medium (E26) base; type T10, T12, B10, or A19 bulbs recommended (sold separately)
- Suitable for damp locations, per UL 1598
- Includes installation hardware
- Coordinates with other products in the Crue collection
- Fixture is dimmable when paired with dimmer switch and compatible bulbs

Material

- Manufactured with quality materials and complemented with a meticulous finishing process
- Durable finishes engineered to last and designed to coordinate with KOHLER faucet finishes



Codes/Standards

UL 1598
CSA C22.2 No. 250.0

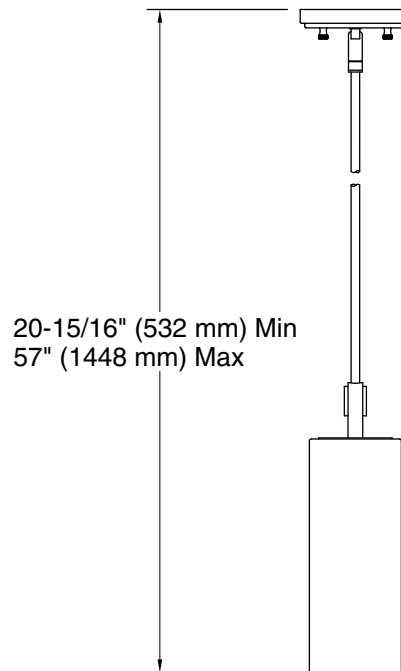
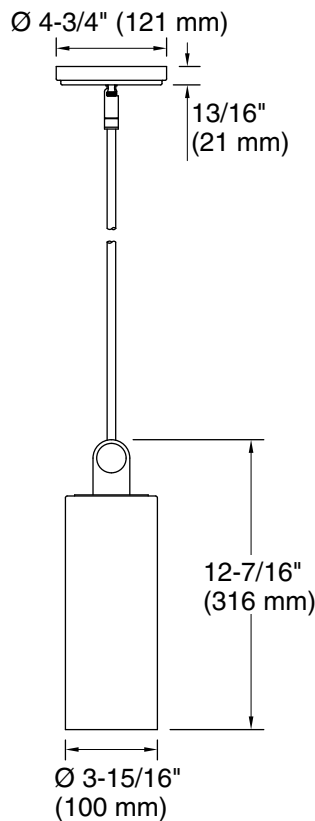
KOHLER® Indoor Lighting Fixtures Limited Warranty

See website for detailed warranty information.

Available Colors/Finishes

Color tiles intended for reference only.

Color	Code	Description
	TTL	Titanium
	BNL	Brushed Nickel
	CPL	Polished Chrome
	BLL	Matte Black
	2GL	Brushed Moderne Brass



Required Electrical Service

One circuit required.

120 V, 0.5 A, 60 Hz

Technical Information

All product dimensions are nominal.

Material:	Steel, Glass, Aluminum, Brass
Number of Lights:	1
Lighting Type:	Socket-based
Socket Type:	E-26 Medium
Number of Shades:	1
Shade Type:	Clear Glass
Hanging Type:	Downrod
Downrod Detail:	3 x 12" (305 mm), 1 x 6" (152 mm)
Height:	20-15/16" (532 mm) - 57" (1447 mm)

Notes

Install this product according to the installation instructions.