

## Instructions for use

### Assembling the ailer

Before plugging the ailer into the mains power supply, it needs to be assembled.

**STEP 1:** Unfold the feet and slot them onto the bottom of the legs of the ailer.

**STEP 2:** Unfold the wings to create the drying layers.

**STEP 3:** The ailer is now ready to use and can be plugged into the mains power supply.



**CAUTION:** Take care when assembling the ailer, as it is possible for loose clothing or fingers to become trapped and cause injury to the user.

### Using the ailer

Once the ailer has been assembled following the instructions in the section entitled '**Assembling the ailer**', it is ready to use.

**STEP 1:** Hang up the damp garments as required. As much water as possible should be removed prior to hanging, as this will speed up the drying process and prevent the ailer collapsing under the total weight of the wet fabric.

**STEP 2:** Once the ailer is loaded, plug it in and turn it on using the on/off switch; this will illuminate, indicating that the ailer is turned on.

**STEP 3:** Once the garments are dry, switch off the ailer by pressing the on/off switch to the off position; the light on the switch will turn off.

**STEP 4:** Remove the garments with care, as the ailer rails may still be hot.



**NOTE:** For a faster drying time, spin the garments in a washing machine prior to hanging.



**WARNING:** Do not load the ailer beyond 30 kg and the recommended weight per section. During use, the operating temperature will remain between 45–55 °C.

### Storage

The ailer can be stored in tall, narrow places by simply folding the wings and the feet in.

### Specifications

Product code: EH3786

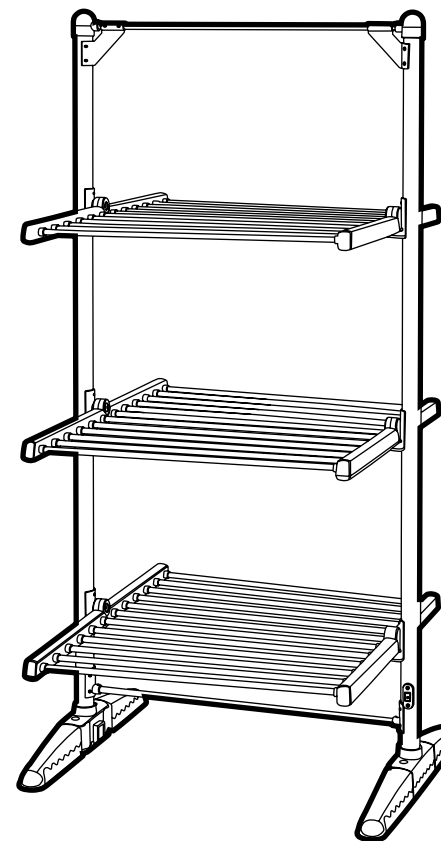
Input: 220–240 V ~ 50/60 Hz

Output: 300 W

Power consumption (off mode): 0 W

# User manual

Heated ailer



#### Disposal of Waste Batteries and Electrical and Electronic Equipment



This product is labelled with this crossed out wheel bin symbol in accordance with European Directive 2012/19/EC to indicate that it must not be disposed of with your other household waste. Due to the presence of hazardous substances, mixtures or components, electrical and electronic devices that are not subject to selective sorting are potentially dangerous to the environment and human health. Please check your local city office or waste disposal service for the return and recycling of this product.



To register for your extended guarantee, scan the QR code or visit [guarantee.uppic.com/beldray](http://guarantee.uppic.com/beldray) and register your product within 30 days of purchase. For any further queries, visit [www.beldray.com](http://www.beldray.com).

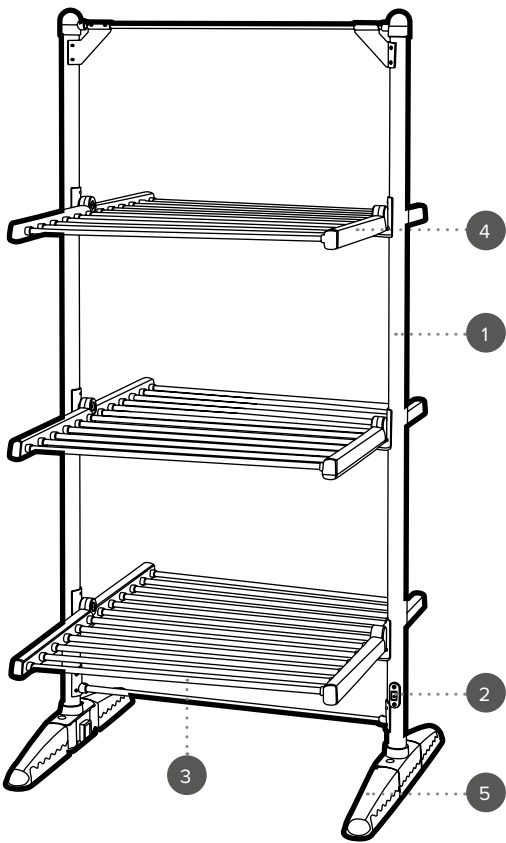
Manufactured by:  
Ultimate Products UK Ltd.,  
Victoria Street, Manchester OL9 0DD. **UK.**  
Ultimate Products Europe Ltd.,  
19 Baggot Street Lower, Dublin D02 X658. **ROI.**

**MADE IN CHINA.**

©Beldray trademark. All rights reserved.  
CD240725/MD000000/V1

**beldray**<sup>®</sup>  
Est.1872

### Description of parts



- 1. Aired
- 2. On/off switch
- 3. Heated bars
- 4. Foldable wings
- 5. Folding feet

Please retain instructions for future reference.

### SAFETY INSTRUCTIONS

- When using electrical appliances, basic safety precautions should always be followed.
- Check that the voltage indicated on the rating plate corresponds with that of the local network before connecting the appliance to the mains power supply.
- Children younger than 3 years old should be kept away from the appliance unless continuously supervised.
- This appliance can be used by children aged from 8 years and above and persons with reduced physical, sensory or mental capabilities and knowledge, only if it has been installed in its intended operating position and they have been supervised/instructed and understand the hazards involved.
- Children shall not play with the appliance.
- Children should not perform cleaning or user maintenance, unless they are older than 8 and supervised.
- This appliance is not a toy.
- Always unplug the appliance and allow to cool fully after use and before any cleaning or maintenance.
- Nominal voltage is still present in this appliance as long as the appliance is connected to the electrical source.
- If the power supply cord, plug or any part of the appliance is malfunctioning or if it has been dropped or damaged, cease using the appliance immediately to avoid potential injury.
- This appliance contains no user serviceable parts, only a qualified electrician should carry out repairs. Improper repairs may place the user at risk of harm.
- Keep the appliance and its power supply cord out of the reach of children and away from heat or sharp edges that could cause damage. This includes any parts of the appliance that may become hot during use and other heat emitting appliances.
- Keep furniture, curtains and other flammable material at least 1 metre away from the appliance.
- Do not run the supply cord under carpets, rugs etc. or anywhere where it may present a trip hazard.
- Do not immerse the appliance or plug in water or any other liquid.
- Do not operate the appliance with wet hands.
- Do not use this appliance in the immediate surroundings of a bath, a shower or swimming pool.
- Do not leave the appliance unattended whilst connected to the mains power supply or when in use.
- Do not remove from the mains power supply by pulling the cord; switch off and remove the plug by hand.
- Do not use this appliance for extended periods of time.
- Do not leave the appliance plugged in or operating overnight.
- Do not use the appliance for anything other than its intended use.
- Do not use this appliance outdoors.

- Do not attempt to move the appliance whilst it is in use.
- Do not put objects into any of the openings.
- Do not use the appliance with a programmer, timer, separate remote-control system or any other device that will switch the appliance on automatically other than that supplied with the appliance, as there is a risk of fire if the heater is covered or positioned incorrectly.
- Do not clean the appliance with abrasive chemicals or materials such as scourers as they may damage the appliance and impair future function. This includes insecticide and chemical solvents.
- The appliance should be used on a stable, heat-resistant surface.
- The appliance must not be located immediately below or next to a mains power supply.
- Never use accessories that are not recommended or supplied by the manufacturer. It could cause danger to the user and damage to the appliance.
- Use of an extension cord with the appliance is not recommended.
- This appliance is intended for domestic use only. It should not be used for commercial purposes.



**CAUTION:** Some parts of this appliance can become very hot and cause burns. Particular attention has to be given where children and vulnerable people are present. This appliance is intended only for drying textiles washed in water. Do not use this appliance in small rooms whilst occupied by persons incapable of leaving the room on their own, unless constant supervision is provided.



**WARNING:** Hot surface – do not touch the hot section or heating components of the appliance. Do not exceed maximum load of 30 kg.

### Dos and don'ts



Fold the wings back into the upright position for storage.



Do not exceed the maximum load of 5 kg per wing and 10 kg per layer. Do not use the airer to dry down jackets or quilts. Do not operate the airer whilst the wings are folded in the upright position.

### Care and maintenance

Before attempting any cleaning or user maintenance, unplug the airer from the mains power supply and allow it to cool fully. Clean the airer with a soft, damp, lint-free cloth and dry thoroughly. Do not use harsh or abrasive detergents or scourers.