

Typical Configurations

▄▄ Sloping

- FastTrack channels are available pre-sloped (0.75%) or neutral. Systems can be designed using all sloped, all neutral, or can combine both types
- Neutral channels can be used where the ground itself slopes or where excavation depth must be minimized

All Sloped - One Direction 54 ft



Sloped & Neutral - One Direction 78 ft



Neutral / No Slope



▄▄ Outlet Type

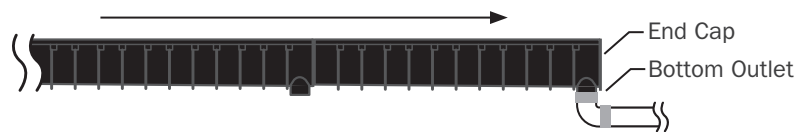
- FastTrack channels are designed with an integral bottom outlet or attach an end outlet for pipe connection
- Bottom and end outlet size is 4" no-hub - make connection to the pipe with standard no-hub couplings

End Outlet:



Note: When using end outlets, be sure to allow sufficient slab depth above outlet and drain pipe to prevent cracking.

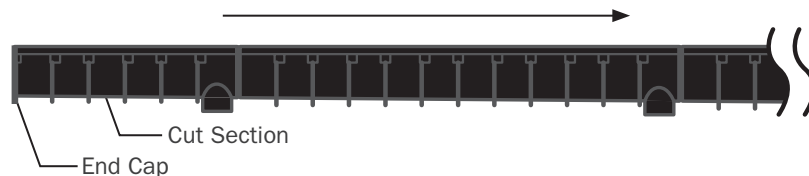
Bottom Outlet:



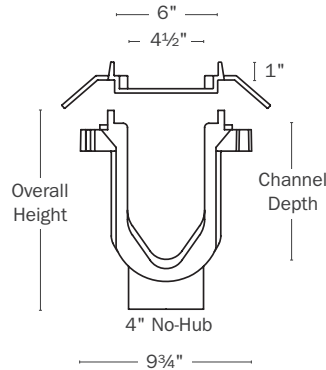
▄▄ Cutting

- FastTrack channels and grates can be cut to length with a handsaw or reciprocating saw
- Ribs on the channels are spaced at 6" intervals for quick measurements and allow for easy attachment of the end cap. Always cut end(s) opposite the outlet

Cut Section:

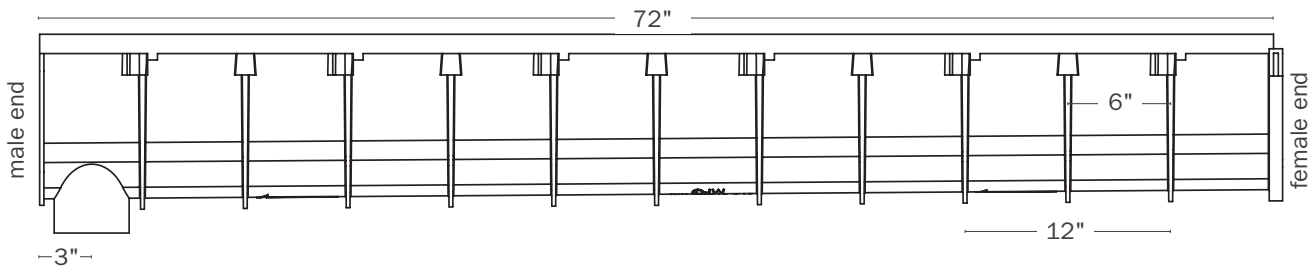


System Specs



System Notes

- The FastTrack system is designed for on-grade installations only
- Using neutral channels will affect the overall slope of the system and the estimated flow rate
- Always install expansion joints on both sides of, and parallel to the channel, per specifications
- Finished grate level should be ~3/16" below finished slab level and slab should be sloped toward the channel on both sides to promote proper drainage



Channel	Channel Depth		Overall Height ¹	Slope Type	Weight ² Lbs.	Est. Flow Rate ³	
	Shallow End	Deep End				GPM	CFS
865-S1	3.62"	4.16"	7.28"	Sloped (0.75%)	15.4	91.23	0.20
865-S2	4.16"	4.70"	7.82"	Sloped (0.75%)	16.4	119.13	0.27
865-N3	4.70"	4.70"	7.82"	Neutral	16.9	—	—
865-S3	4.70"	5.24"	8.35"	Sloped (0.75%)	17.4	147.79	0.33
865-S4	5.24"	5.78"	8.90"	Sloped (0.75%)	18.4	176.97	0.39
865-N5	5.78"	5.78"	8.90"	Neutral	18.9	—	—
865-S5	5.78"	6.32"	9.44"	Sloped (0.75%)	19.4	206.55	0.46
865-S6	6.32"	6.86"	9.98"	Sloped (0.75%)	20.4	236.42	0.53
865-N7	6.86"	6.86"	9.98"	Neutral	20.9	—	—
865-S7	6.86"	7.40"	10.52"	Sloped (0.75%)	21.4	266.52	0.59
865-S8	7.40"	7.94"	11.06"	Sloped (0.75%)	21.4	296.81	0.66
865-N9	7.94"	7.94"	11.06"	Neutral	21.9	—	—
865-S9	7.94"	8.48"	11.60"	Sloped (0.75%)	22.4	327.23	0.73

1 Add 1" to overall height when using iron frame

2 Weight includes grate anchors and construction covers

3 Estimated flow rate is for the single channel only (open ends, no grate), and is based on calculation using Manning's equation



865-S1



865-GIS



865-F



865-FC

» Buying Information

ITEM NO.	DESCRIPTION	MIN. QTY.	CASE QTY.
CHANNELS			
865-S1	Sloped Channel Section with Construction Cover - 72" Long	1	1
865-S2	Sloped Channel Section with Construction Cover - 72" Long	1	1
865-N3	Neutral Channel Section with Construction Cover - 72" Long	1	1
865-S3	Sloped Channel Section with Construction Cover - 72" Long	1	1
865-S4	Sloped Channel Section with Construction Cover - 72" Long	1	1
865-N5	Neutral Channel Section with Construction Cover - 72" Long	1	1
865-S5	Sloped Channel Section with Construction Cover - 72" Long	1	1
865-S6	Sloped Channel Section with Construction Cover - 72" Long	1	1
865-N7	Neutral Channel Section with Construction Cover - 72" Long	1	1
865-S7	Sloped Channel Section with Construction Cover - 72" Long	1	1
865-S8	Sloped Channel Section with Construction Cover - 72" Long	1	1
865-N9	Neutral Channel Section with Construction Cover - 72" Long	1	1
865-S9	Sloped Channel Section with Construction Cover - 72" Long	1	1
GRATES			
865-GiS	Slotted Ductile Iron Grate with Screws - 36" Long - Class D ¹	1	1
865-GiC	Cross-Slot Ductile Iron Grate with Screws - 36" Long - Class C	1	1
865-GiD	Diagonal-Slot Ductile Iron Grate with Screws - 36" Long - Class C	1	1
865-GHS	Slotted HDPE Grate with Screws - 36" Long - Class A	1	1
865-GHC	Cross-Slot GF Polypro Grate with Screws - 36" Long - Class A	1	1
865-GSA	Angle-Slot Stainless Steel Grate with Screws - 36" Long - Class A	1	1
865-GSB	Stainless Steel Brick Slot Grate with Screws - 36" Long - Class C	1	1
865-GSBC	Stainless Steel Brick Slot Access Section (for use with 865-GSB) - 12" Long - Class C	1	1
865-GSD	Perforated Stainless Steel Grate with Screws - 36" Long - Class A	1	1
865-GSS	Slotted Stainless Steel Grate with Screws - 36" Long - Class A	1	1
865-GSSR	Reinforced Slotted Stainless Steel Grate with Screws - 36" Long - Class C	1	1
865-GGD	Perforated Galvanized Steel Grate with Screws - 36" Long - Class A	1	1
865-GGS	Slotted Galvanized Steel Grate with Screws - 36" Long - Class A	1	1
865-GGSR	Reinforced Slotted Galvanized Steel Grate with Screws - 36" Long - Class C	1	1
ACCESSORIES			
865-A	Grate Anchor - Stainless steel - Fits All Channels	1	20
865-C	Construction Cover - HDPE 36" Long - Fits All Channels	1	1
865-CB4	4" Outlet Adapter for Catch Basin - Fits 3" & 4" Sch. 40, 4" SDR35 Pipe	1	1
865-CB6	6" Outlet Adapter for Catch Basin - Fits 6" SDR35 Pipe	1	1
865-D	Dome Strainer for Channel Bottom Outle - Stainless steel - Fits All Channels	1	1
865-EC	End Cap - HDPE Flat Cap – Fits All Channels	1	50
865-EG	Edge Guards - Stainless steel - 36" Long - Pair with Screws - Fits All Channels ³	1	1
865-EO	End Outlet - HDPE with 4" No-Hub Connection ² - Fits All Channels	1	25
865-F	Ductile Iron Grate Frame - 36" Long with Screws - Fits All Channels	1	1
865-FB	Debris Basket for Catch Basin - Galvanized Steel with Handle	1	1
865-FC	In-Line Catch Basin - 36" Long with Construction Cover - Fits All Channels	1	1
865-FCB	In-Line Catch Basin - 36" Long with Debris Basket & Construction Cover - Fits All Channels	1	1
865-S15	Screws for FastTrack Grates - 1/4-20 x 1-1/2" - Bag of 3	1	100

1 Class D load rating requires use of 865-F grate frame | 2 Be sure to allow for sufficient slab thickness above the outlet and pipe | 3 Not for use with 865-F grate frame