

Installation Instructions

Lighted Cabinet

Record your model number:
Noter le numéro de modèle:
Anoté su número de modelo: _____

Français, page 12
Español, página 22

KOHLER®

Thank You for Choosing KOHLER

Need help? Contact our Customer Care Center.






- USA/Canada: 1-800-4KOHLER (1-800-456-4537)
- Mexico: 001-800-456-4537
- For service parts information, visit kohler.com/serviceparts.
- For care and cleaning information, visit kohler.com/clean.
- Patents: kohlercompany.com/patents

Warranty

This product is covered under the KOHLER® One-Year Limited Warranty, found at kohler.com/warranty. For a hardcopy of warranty terms, contact the Customer Care Center.

IMPORTANT SAFETY INSTRUCTIONS

Read all instructions before installing or using this product.

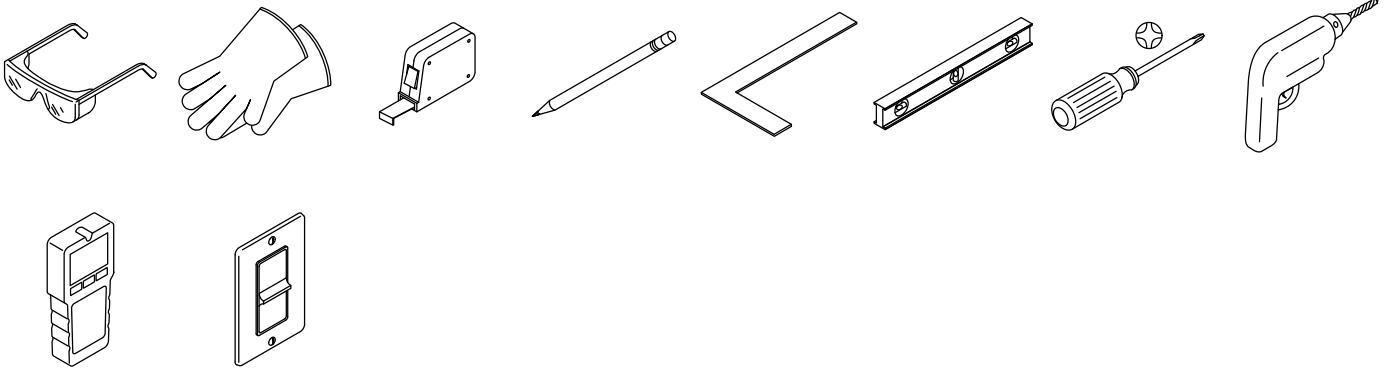
-  **WARNING: When using electrical products, basic precautions should always be followed, including the following:**
-  **WARNING: Risk of electric shock.** Grounding is required for the outlets within the junction box. Connect only to a circuit protected by a Class A Ground-Fault Circuit-Interrupter (GFCI)*, which protects against line-to-ground shock hazard. Use a 120 VAC, 15 A service.
-  **WARNING: Risk of electric shock.** A qualified electrician must route all electrical wiring for the product. Improper installation will create an electrical hazard and may not comply with local building and electrical codes.
-  **WARNING: Risk of electric shock.** Disconnect the power before servicing.
-  **CAUTION: Risk of electric shock.** Electrical wiring may need to be relocated.

Follow all local plumbing, building, and electrical codes.

*Outside North America, this may be known as a Residual Current Device (RCD).

SAVE THESE INSTRUCTIONS

Tools and Materials





Stud Finder Dimmer/Switch

Plus:

- Wire Cutter/Stripper
- Assorted Drill Bits

Before You Begin

 **CAUTION: Risk of personal injury.** This product is heavy. Get assistance lifting and moving the product.

 **CAUTION: Risk of product or property damage.** The location of the cabinet is critical. Make sure that the door will clear all obstacles (such as a faucet or light fixture). Ensure that any obstacles behind the finished wall will not be damaged during the cutting and/or drilling process.

IMPORTANT! Reroute any electrical wires or water supply piping. If you encounter drain or vent piping or if your wall is load-bearing, consult a professional before proceeding.

IMPORTANT! This cabinet is for surface-mount installation only.

NOTICE: The cabinet is designed for either right or left door swing.

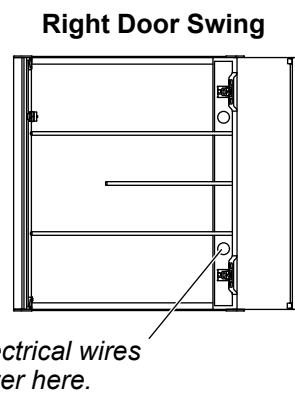
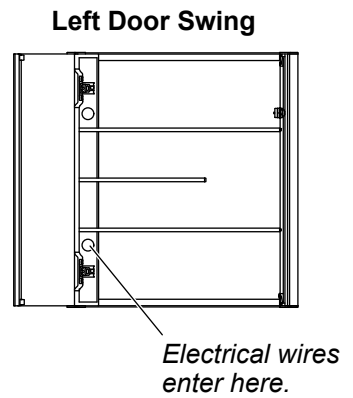
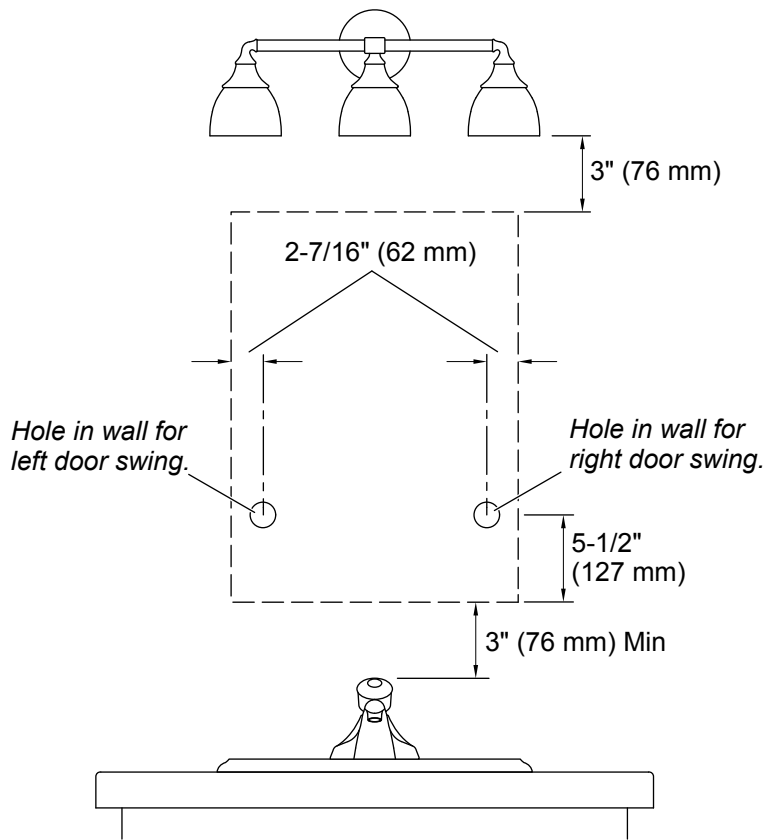
This product requires one switched and one unswitched service supplied to the cabinet.

A wall-mounted dimmer or light switch is required. This product is compatible with most residential dimmer switches intended for incandescent and dimmable LED bulbs.

Your product may appear different from the one illustrated. The installation procedure is the same.

Two people should perform this installation.

Roughing-In



NOTICE: The cabinet is designed for either right or left door swing. To change the orientation, rotate the entire cabinet 180 degrees.

Determine whether the door will swing open to the right or left.

When determining the height of the product, verify that the doors will clear all obstacles (such as a faucet or light fixture). A minimum distance of 3" (76 mm) is required.

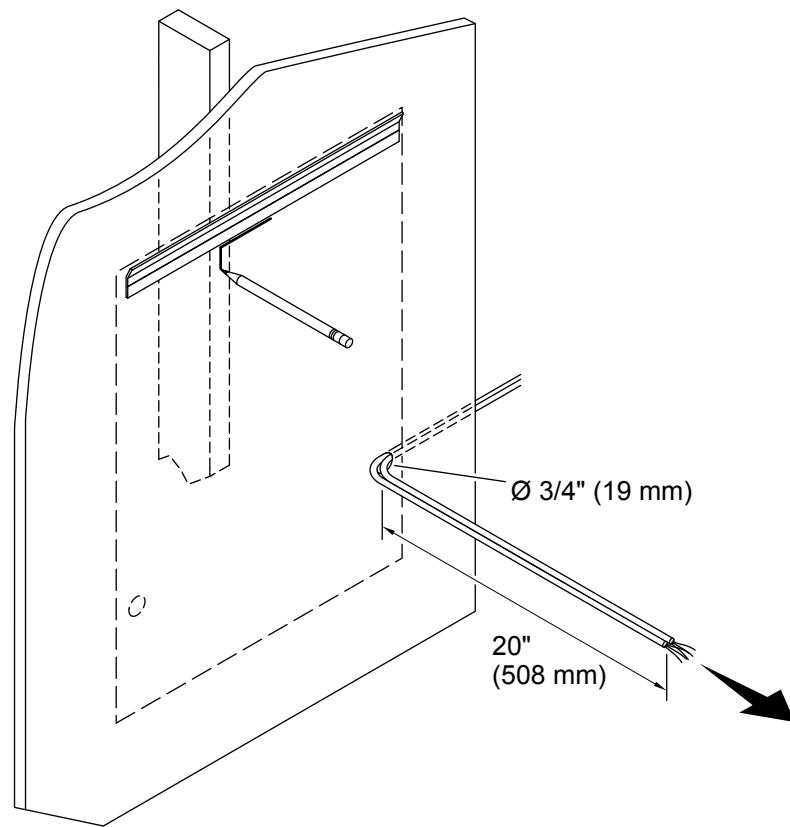
Plan for the location of the wall-mounted dimmer or light switch and GFCI* protected circuit.

The electrical wires should enter the cabinet 5-1/2" (127 mm) from the bottom and 2-7/16" (62 mm) from the side where the door hinges are located.

If the door swings to the right, the electrical wires will route through the finished wall and enter the cabinet on the right side. If the door swings to the left, the electrical wires will route through the finished wall and enter the cabinet on the left side.

*Outside North America, this may be known as a Residual Current Device (RCD).

1. Prepare the Site



⚠ WARNING: Risk of electric shock. Disconnect the power before performing the following procedures.

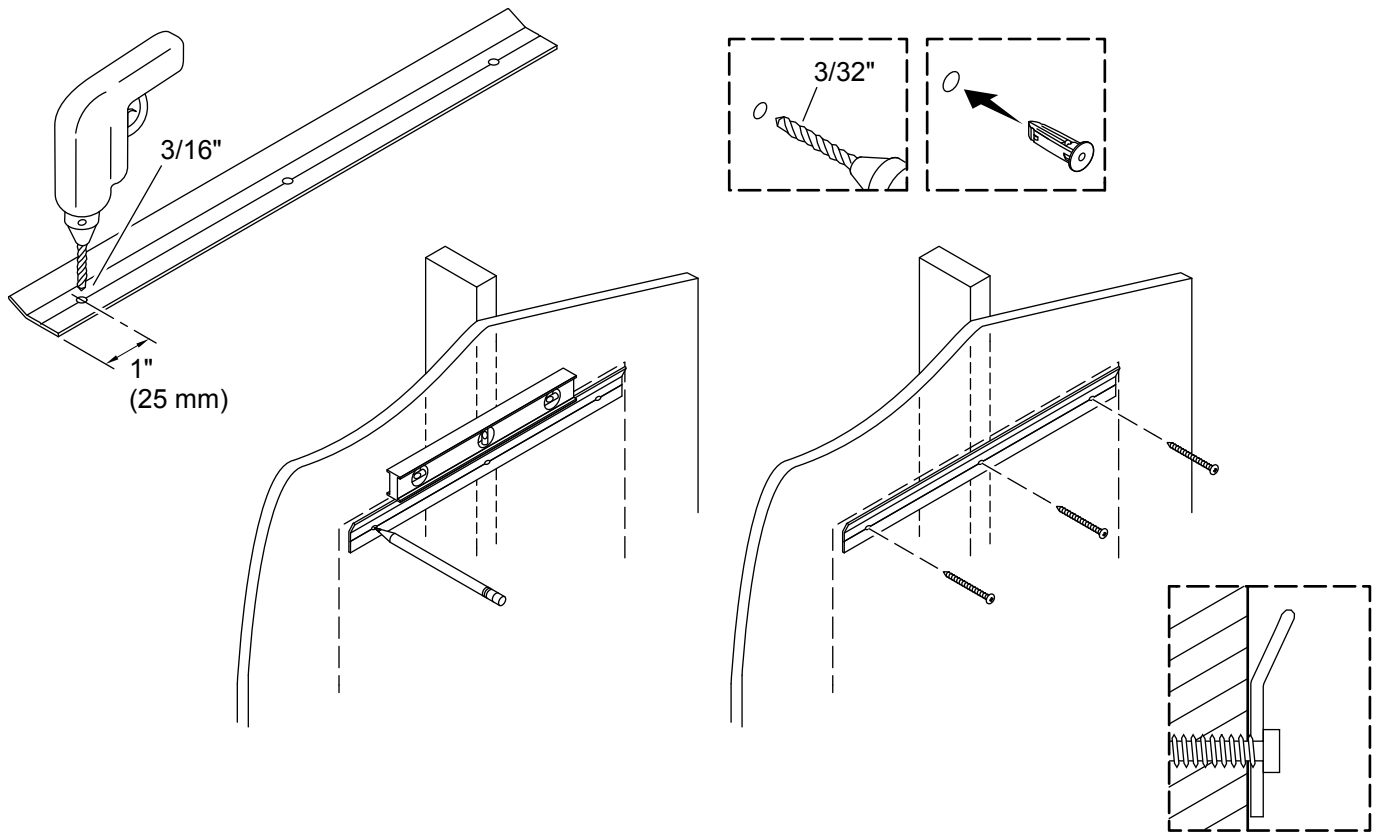
⚠ WARNING: Risk of electric shock. A qualified electrician should route all electrical wiring.

IMPORTANT! This cabinet is for surface-mount installation only.

NOTE: Cabinet orientation with door swing to the right is shown.

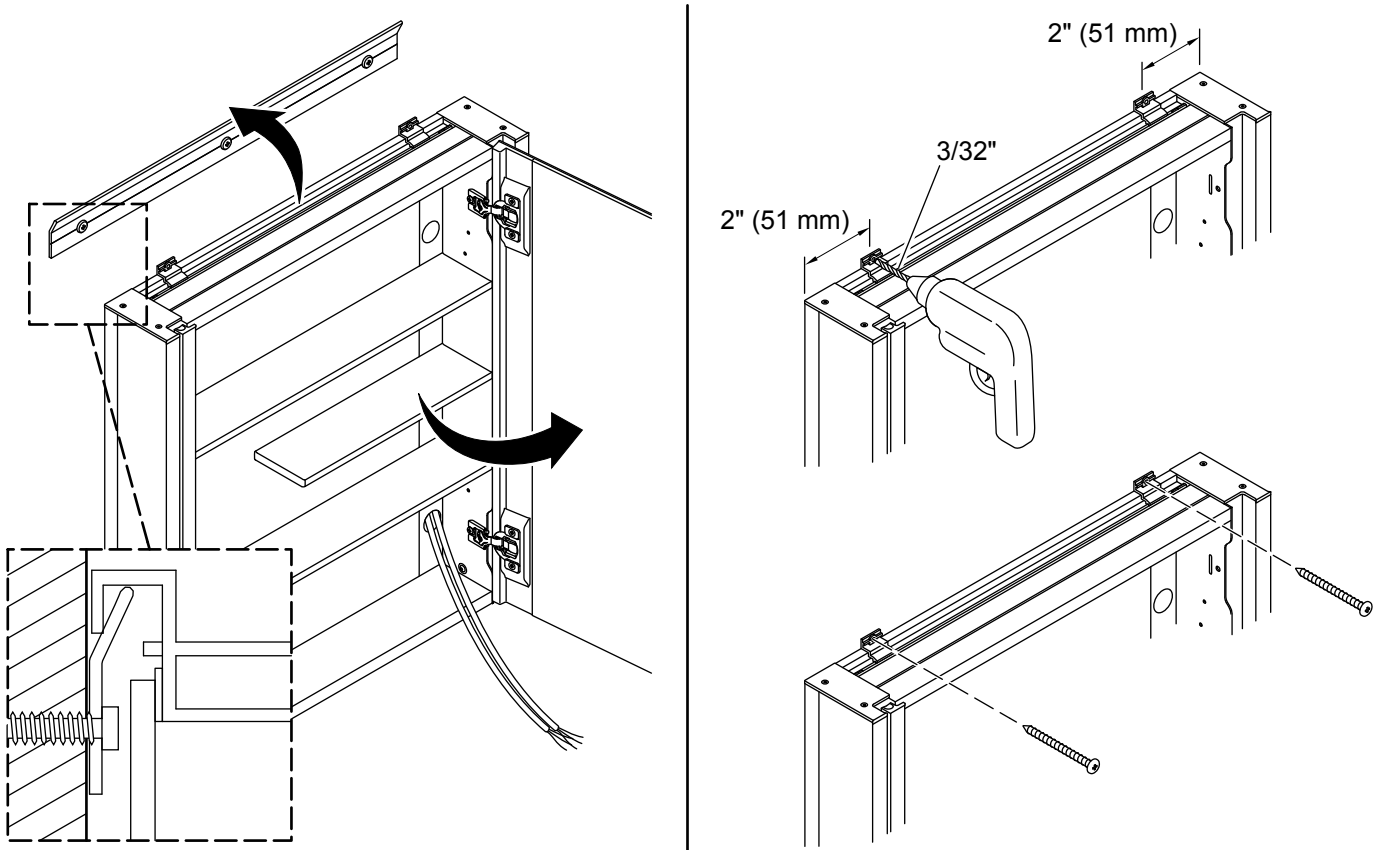
- Mark the hanger position and stud locations on the wall.
- Mark the stud locations on the hanger.
- Determine the electrical wire hole location according to the dimensions shown in the "Roughing-In" section.
- Drill a 3/4" (19 mm) hole in the wall for the electrical wires.
- Route the electrical supply wires through the hole in the finished wall.
- Each wire should extend at least 20" (508 mm) from the hole.

2. Install the Hanger



- Using a 3/16" drill bit, drill three holes on the groove of the hanger, with at least one of the holes where the stud location is marked.
- Position the hanger on the wall, with at least one hole at a stud location.
- Verify that the hanger is level and then mark the hole locations on the wall.
- Drill 3/32" pilot holes at the marked locations where there is a wall stud.
- Drill holes at the other marked locations for anchors (not provided).
- Secure the hanger with three screws (provided).

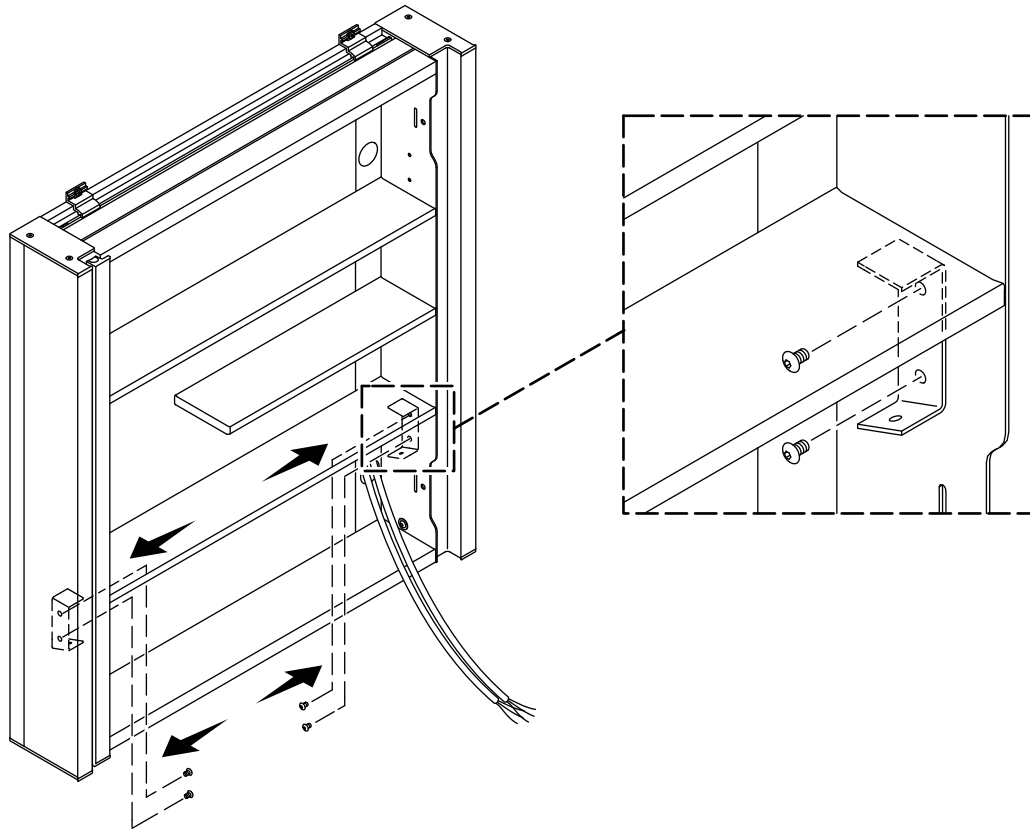
3. Install the Cabinet



NOTE: Cabinet orientation with door swing to the right is shown.

- Verify the door swings in the direction that was determined in the “Roughing-In” section. If not, rotate the cabinet 180 degrees.
- Lift the cabinet onto the hanger. Make sure that the cabinet hooks and engages the hanger.
- Feed the wires through the hole in the back of the cabinet.
- Center the cabinet on the wall as desired.
- Position each retaining clip 2" (51 mm) from the sides of the cabinet on both the top and bottom of the cabinet.
- Using a 3/32" drill bit, drill pilot holes into the wall.
- If anchors are needed, remove the cabinet and install anchors into the wall at the pilot hole locations.
- Secure the retaining clips with the 1-1/2" screws (provided).

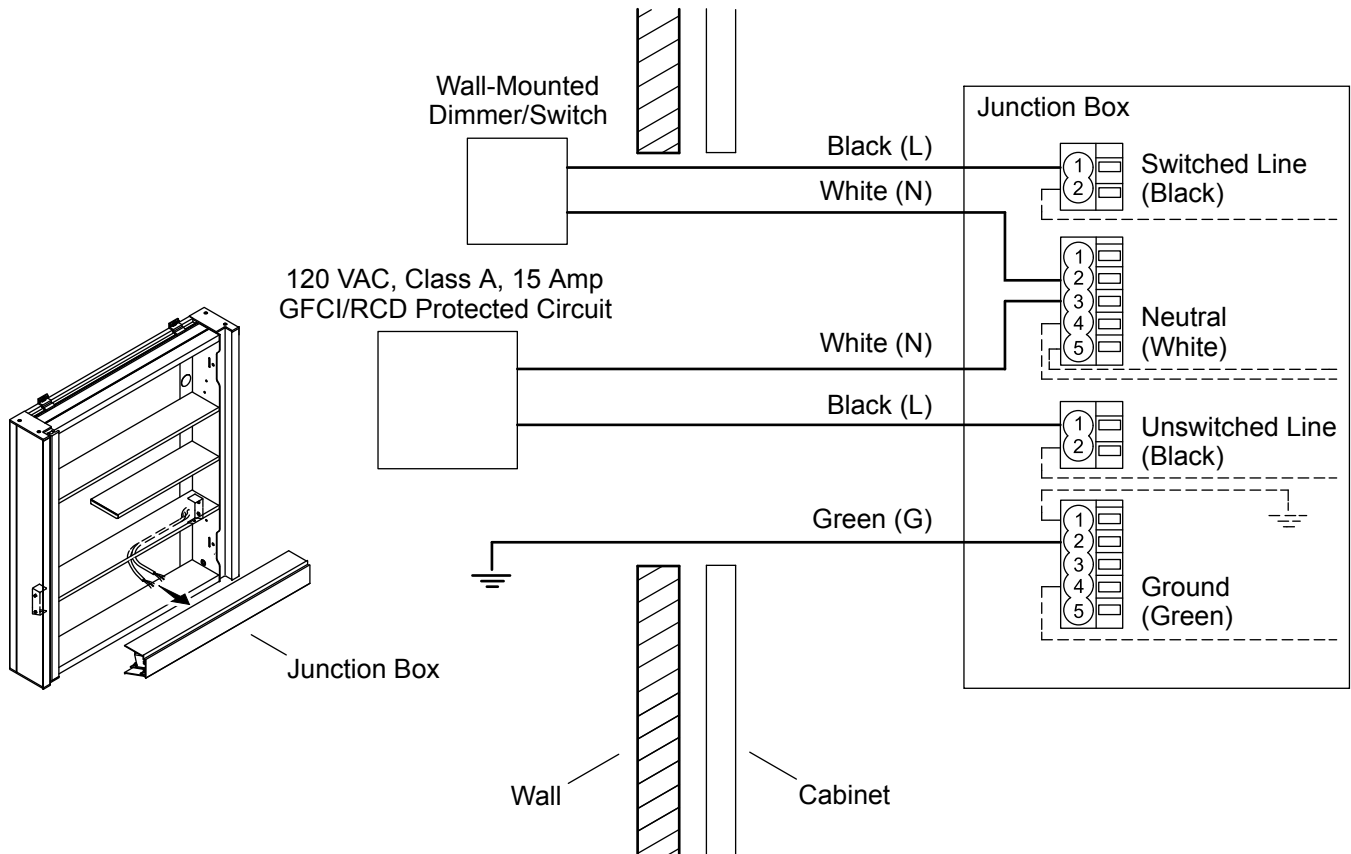
4. Install the Junction Box Brackets



NOTE: Cabinet orientation with door swing to the right is shown.

- Align the brackets with the side panel holes as shown.
- Secure each bracket with two screws (provided). Avoid pinching the electrical wires while securing the brackets.

5. Connect the Electrical Wires



⚠ WARNING: Risk of electric shock. A qualified electrician should make all electrical connections.

⚠ WARNING: Risk of electric shock. Disconnect the power before performing the following procedures.

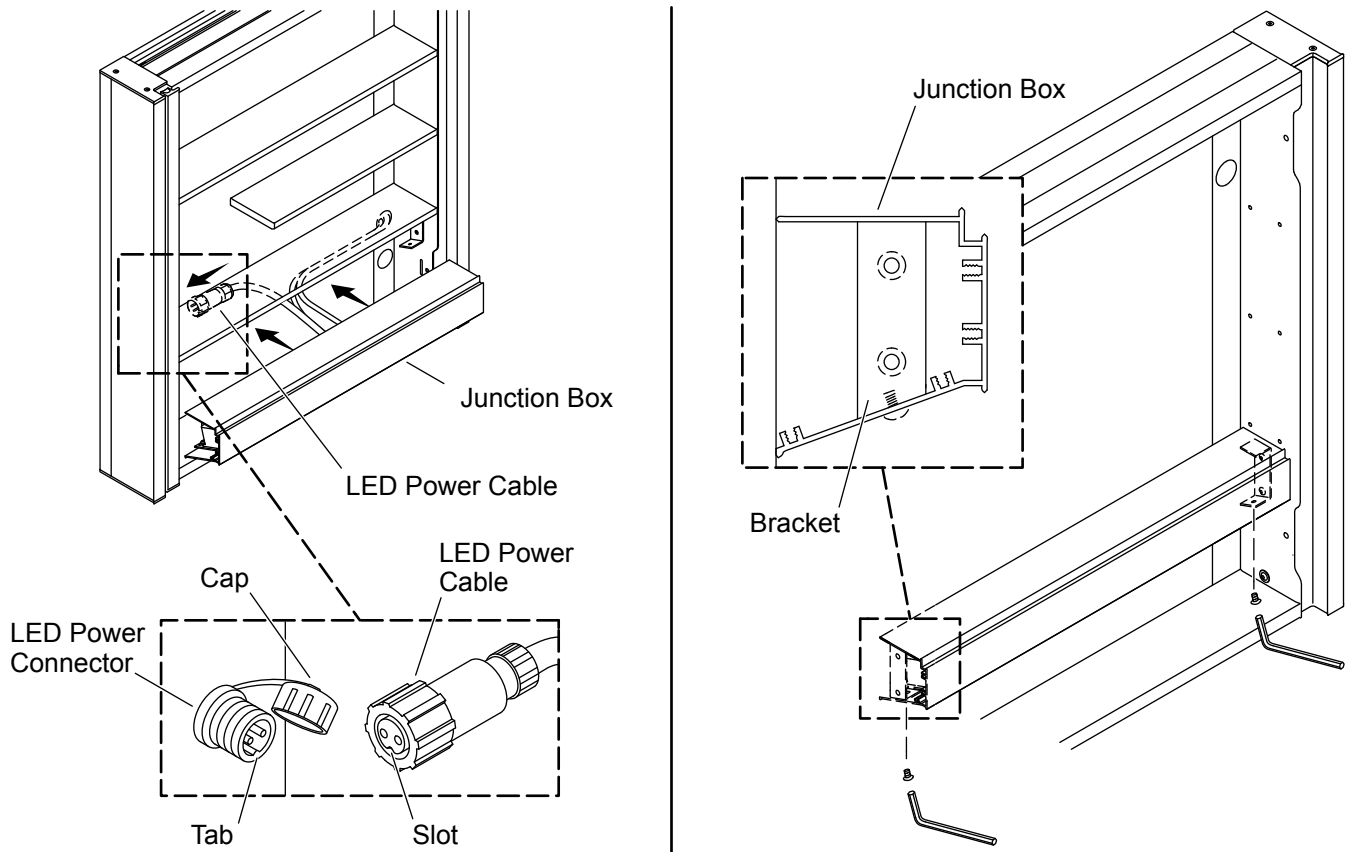
NOTICE: A qualified electrician must install the wall-mounted dimmer or light switch and 120 VAC, 15 Amp, Class A GFCI* protected circuit.

NOTE: Cabinet orientation with door swing to the right is shown.

□ Connect the electrical wires to the junction box following the wiring diagram.

*Outside North America, this may be known as a Residual Current Device (RCD).

6. Install the Junction Box



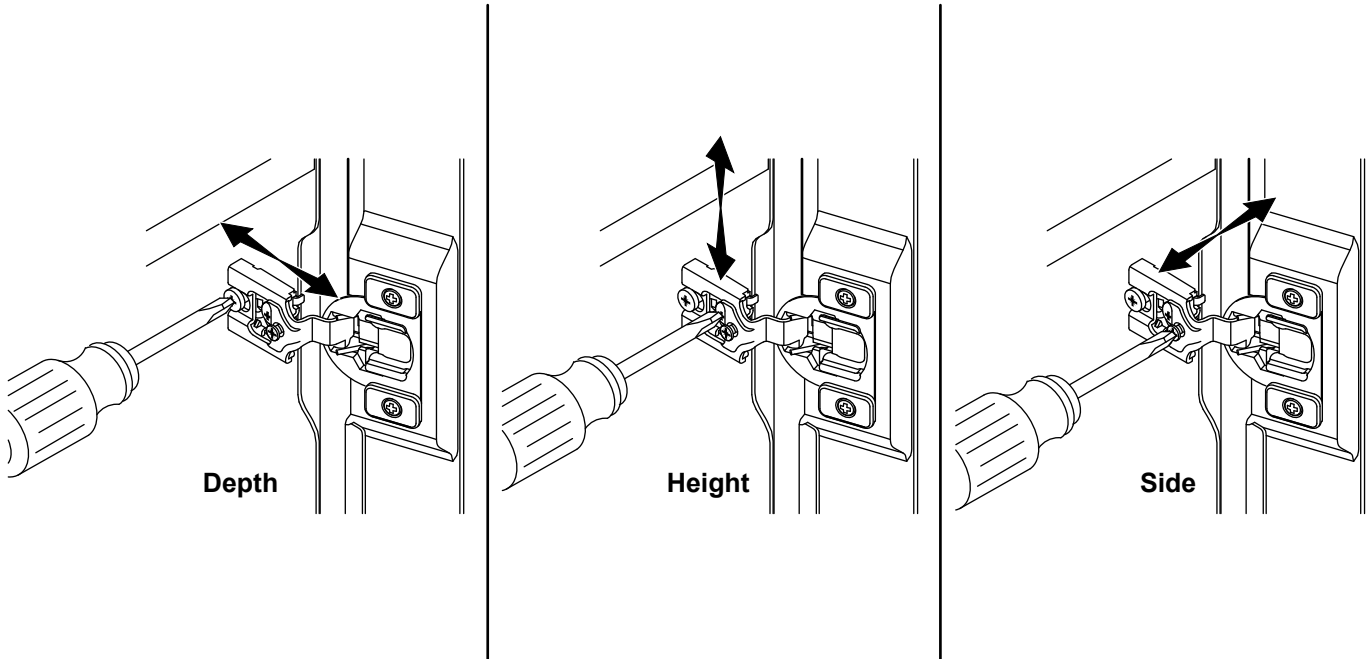
⚠ WARNING: Risk of electric shock. Disconnect the power before performing the following procedures.

⚠ CAUTION: Risk of product damage. Do not force the plug on the end of the LED power cable into the LED power connector inside the cabinet. Align the slot on the LED power cable with the alignment tab on the LED power connector.

NOTE: Cabinet orientation with door swing to the right is shown.

- Unthread and remove the protective cap from the lower LED power connector located inside the cabinet where the junction box will be installed.
- Plug the LED power cable into the LED power connector.
- Position the junction box into the cabinet. Make sure that the top of the junction box clips over each bracket.
- Secure the junction box with the two screws (provided).

7. Adjust the Door (If Needed)



- Adjust the hinges as needed for proper door functionality and alignment.
- Refer to the illustration and note the screwdriver location for the desired adjustment.