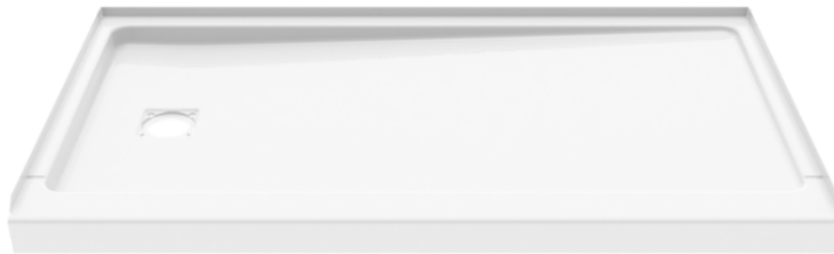


# 010-1202/010-1203

## 60 X 34 SHOWERCAST PORCELAIN ENAMEL SHOWER BASE LH OR RH SQUARE DRAIN

Exterior Dimensions: 60W x 34D

Note: Dimensions may vary +/- 1/4"



Material to be stacked  
on pallets.



Standard Color	Code
White	-00
Drain Finishes Available:	
Chrome	CH
Matte Black	MB
Brushed Nickel	BN
Brushed Gold	BG
Dark Bronze	DB
Solid White	SW
Solid Matte Black	SM



## FEATURES

- Base size: 60" x 34"
- Low profile curb height: 3"
- Construction:
  - Porcelain-finished steel construction
  - Full textured slip-resistant floor surface
  - Integrated weep channels for optimal drainage
  - Integral tile-flange for leak-prevention
  - Pre-leveled support pad for easier installation
  - Easy to clean, resistant to: bacteria, mold, mildew and stains
  - Multiple Drain Finishes Available
  - Round and Trench drain options available
  - Limited lifetime residential warranty
  - 3-Year commercial warranty

## STANDARDS AND RATINGS\*

- National Plumbing Code of Canada
- International Residential Code
- International Plumbing Code
- Uniform Plumbing Code
- MAS Certified Green
- ASME A112.19.1
- ASTM C282
- ASTM C448
- ASTM E162
- ASTM E662
- ASTM F462
- ASTM E303-22
- CSA B45.2
- WWP-541
- UL -969
- Applicable for LEED Credits
- HUD
- FHA
- VA

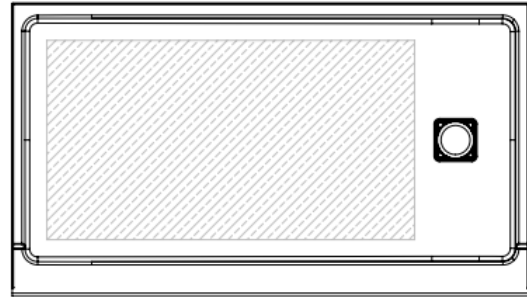
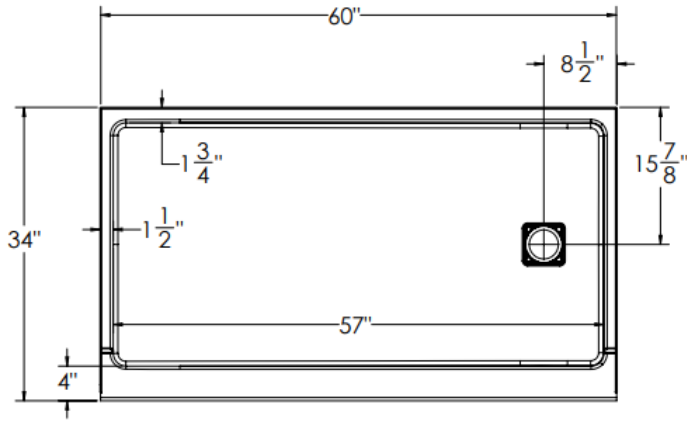
\*Compliance effective where applicable  
and installed accordingly



# 010-1202/010-1203

60 X 34 SHOWERCAST PORCELAIN ENAMEL SHOWER BASE LH OR RH SQUARE DRAIN

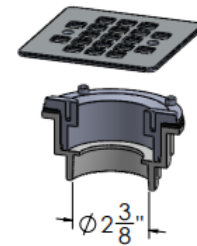
Note: Base dimensions may vary +/- 1/4"



Shaded area represents anti-slip coverage



Square Drain Model Include Drain Kit and Cover Plate



- All dimensions are approximate. Measurements should be verified against the unit to ensure proper fit

FEATURES Dimensional Tolerance  $\pm 1/4$ ". Dimensions needed for site preparation should be measured from the unit. American Bath Group assumes no responsibility for preparatory work.

Type and Model #	Drain Side	Material	Surface
Shower Base #010-1202	Right	Porcelain on Steel	Porcelain Enamel w/ Anti-slip
Shower Base #010-1203	Left	Porcelain on Steel	Porcelain Enamel w/ Anti-slip

## DIMENSIONS

Specifications	inches
Shower Base Depth:	34
Shower Base Length:	60
Apron Height:	3
Step-Over Depth:	4
Shower Door Mountable Surface Depth*:	4

## SUGGESTED DRAINS

Image	Description
	Chrome drain cover and drain kit included. Additional drain cover finishes available.

\*Shower doors can only be attached to the shower base surface via adhesive, and cannot be drilled/nailed to the shower base surface\*