



The **#1 Rated** Brand in
Recycling & Waste Containers!



Innovative Designs Inspiring Change.

Liquid Collection Series

Pour. Collect. Dispose.
With Confidence.

Product Data Sheet | Version 1.0

Busch Systems International Inc.
81 Rawson Avenue, Barrie ON., Canada
1.800.565.9931
buschsystems.com





POUR. COLLECT. DISPOSE. WITH CONFIDENCE.

The Liquid Collection Series is a smart, efficient solution for disposing of liquid waste before containers are placed into recycling bins. Built around a heavy-duty LDPE reservoir mounted on a rugged steel dolly, this mobile unit keeps recycling areas cleaner, safer, and easier to maintain, while keeping your recycling collection free from contamination.

Designed for high-traffic environments such as sports venues, airports, conference centers, food courts, and college campuses, this system provides controlled liquid disposal while preventing sticky messes. Its large 22.5-gallon capacity, durable casters, adjustable handle, valve, and hose make servicing straightforward and manageable. An optional connector kit allows the liquid dolly to securely attach to a Waste Watcher® dolly and quickly disconnect for easy servicing. Graphic kits allow easy identification and can be customized to match branding or color themes, ensuring seamless integration into any facility.

POPULAR SKU'S



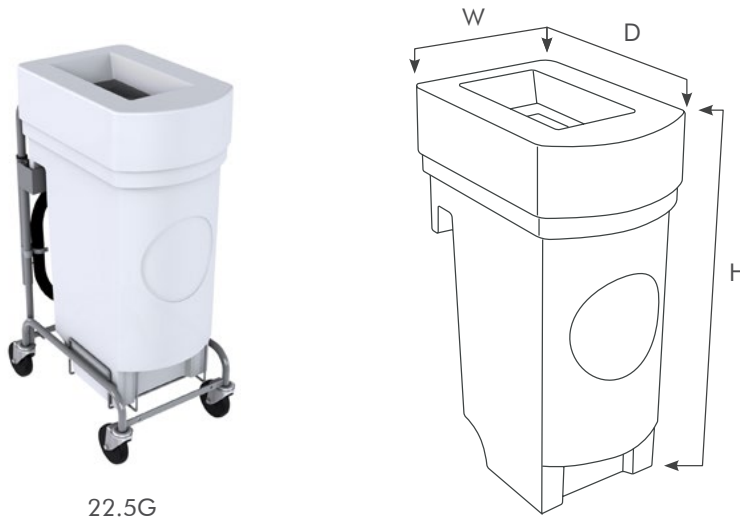
217246



217247

BODY SPECIFICATIONS

Below are the specifications for the reservoir and dolly kit for the Liquid Collection Series. The measurement guide is the essence of various standard measuring methods. All measurements are in inches. Talk to your dedicated Busch Systems® sales representative for more information.



22.5G

Body Shape	Height	Width	Depth	Weight	Capacity
Reservoir Only	29.66"H (753.36 mm)	12.6"W (320.04mm)	18.85"D (478.79mm)	14.5lbs. (6.57kg)	22.5 gal
Reservoir with Dolly	35.16"H (893.06mm)	14.53"W (369.06mm)	21.61"D (548.89mm)	26.5lbs (12.02kg)	22.5 gal

STOCK RESERVOIR COLOR



White

STOCK DOLLY COLOR



Executive Grey

STOCK GRAPHICS

To clearly indicate container use, it is recommended to order with our stock label options. Alternatively, to meet your specific collection or branding requirements, you can customize your own label designs.

STOCK LABELS



217238

FULL FRONT BODY LABEL



217239

LEFT SIDE BODY LABEL



217240

RIGHT SIDE BODY LABEL



217241

TOP BODY LABEL



217242

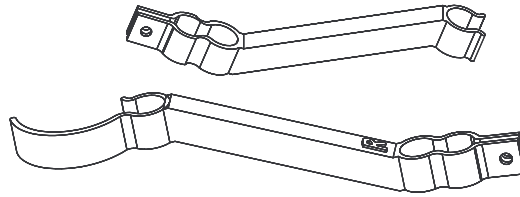
FRONT ICON BODY LABEL

NOTE: Because different computers, monitors, and printers render colors and textures differently, actual finishes may vary from those shown here.

PRODUCT ACCESSORIES

An optional connector kit allows the liquid dolly to securely attach to a Waste Watcher® dolly and quickly disconnect for easy servicing.

CONNECTOR KIT



MATERIAL & CONSTRUCTION DETAILS

Not all recycling & waste receptacles are created equal. Our company policy is never to compromise on our workmanship or the quality material standards we've set. We only recommend and use quality first grade materials on our recycling & waste containers, and source these from OEM's at highly-competitive prices. Being a manufacturer that buys at high-quantities gives significant buying power with companies which in turn saves you money.

The design process, materials used, finishes and manufacturing standards all affect the final product. Every decision is vital to getting the most value for your investment. You deserve recycling & waste containers that meets your demands for quality and durability and will enhance your working environment for years to come.

Component	Material(s)	Construction
Reservoirs	LDPE	<ul style="list-style-type: none"> Reservoirs are molded from durable LDPE in a semi-translucent white for visibility of contents
Dollies	Powder Coated Steel	<ul style="list-style-type: none"> Fire-safe durable steel construction.
Drain Hoses	HDPE	<ul style="list-style-type: none"> Resilient flexible hose made from durable HDPE
Shut Off Valves	PVC	<ul style="list-style-type: none"> Molded from PVC
Connector Kit	PETG	<ul style="list-style-type: none"> Created using PETG plastic resin
Top Drain Plates	COP	<ul style="list-style-type: none"> Created using COP plastic resin

ENVIRONMENTAL CONSIDERATIONS

- All Liquid Collection Series Receptacles use a low energy, resource efficient manufacturing and curing process
- All Liquid Collection Series receptacle components disassemble at end of life and are fully recyclable
- Low maintenance and extremely long service life
- Manufactured in North America

Configurations	Post-Industrial Recycled Content	Post-Consumer Recycled Content	Total Recycled Content	3rd Party Certifications
Liquid Collection Series	Contact us	Contact us	Contact us	-

Busch Systems® is dedicated to environmental responsibility. We maintain an Environmental Management System and are continually working to improve our impact through efficiency, material selection, vendor education, employee involvement, and an unwavering commitment to being a B-Corporation®. If you would like additional information on our product development process or if you don't see the information you need for your project on this page, please contact our Sustainability Team at sustainability@buschsystems.com.

LEAD TIME

Our standard lead times on stock SKU's for the Liquid Collection Series are 3-5 days. Our standard lead times on large/custom orders for all Liquid Collection Series products are 6-8 weeks. Please contact us to discuss your specific timing requirements.

PRICING

Please contact us at **800.565.9931** or sales@buschsystems.com. At Busch Systems®, we design, manufacture and sell our products directly to you. Our sales team is available to assist you with questions about our products, requests for quotes, and orders. Vertical Managers are located across North America to assist with the front-end specification and quoting process, and our in-house Project Sales Coordinators follow your project through from the time you place an order to shipment.

TO ORDER PLEASE SPECIFY

Product quantity and stock label choice, or specify if you would prefer custom labels. Talk to your dedicated Busch Systems® sales representative for more information. If you do not have a dedicated Sales Representative please contact us via our website at buschsystems.com/contact-us/

INSTALLATION

Busch Systems® Liquid Collection Series units are hassle-free when it comes to installation. Each Reservoir is pre-assembled with a shut off valve and hose and is individually boxed using cardboard with high recycled content. The Dolly is also pre-assembled and individually boxed to ensure safe transport.

TO INSTALL YOUR LIQUID COLLECTION SERIES CONTAINER:

1. Unbox both the reservoir and dolly components
2. Insert the reservoir into the dolly as directed on included instruction sheet
3. Snap hose clips onto dolly frame to secure hose, as directed on included instruction sheet
4. Apply labels if ordered separately
5. Confirm valve is in closed position and hose is clipped in place.
6. Move to desired collection area and lock casters to prevent shifting

CARE & MAINTENANCE - POWDER COATED STEEL

Busch Systems® powder coated steel products are finished with a polyester powder coat paint that is intended to help keep your recycling and waste containers protected and attractive looking for as long as possible in their environment. Their appearance and lifespan will be greatly affected by their care. Powder coated finishes can be treated like most other paints and benefit from regular cleaning.

To avoid the accumulation of dirt and grime on your Busch Systems® products, and help prevent corrosion, we recommend that a mild detergent be used (not an abrasive), such as a pH-neutral liquid (hand dishwashing or hand car washing soaps, for example) diluted in warm water. Wipe with a clean wet cloth and towel dry. Any dirt adhering to the powder coating should be removed. In order to remove deposits such as salt or dust, use a soft brush (non-abrasive). If this is not sufficient to remove stubborn soiling, the following products have been tested for use:

- Ajax Cream
- Ajax Liquid (in water)
- Liquid Gumption
- Cutting compound ('T. Cut')
- Flash (in water)

If solvents are absolutely needed to remove marks, a soft cloth dampened with white spirit may be used.

THINGS TO AVOID

- Solvents such as acetone, contact cleaners, thinners or Methyl Ethyl Ketone (MEK). These solvents are very damaging to the powder coat and will soften and/or dissolve the surface of the coating, diminishing its shine and durability or removing the finish altogether.
- Cleaning water that contains sulfur, iron oxide, chlorine, fluoride
- Waxes that contain abrasives
- Abrasive cleaning tools or brushes
- Contact with electrical current and dissimilar metals

CARE & MAINTENANCE - PLASTIC

Advantages of Busch Systems® HDPE & LDPE receptacles include:

- Great low temperature impact resistance and excellent chemical resistance
- Great high temperature impact resistance
- Lower stiffness rating which reduces the potential for stress cracking
- High strength-to-density ratio

Their appearance and lifespan will be greatly affected by their care. The frequency of cleaning required depends on the environment in which the containers are used. Outdoor containers will be subject to different environmental conditions than indoor units, i.e. sun, rain, wind, pollution, winter temperatures, and salt/sea air.

To avoid the accumulation of dirt and grime on your Busch Systems® products, and help prevent corrosion, we recommend that a mild detergent be used (not an abrasive), such as a pH-neutral liquid (hand dishwashing or hand car washing soaps, for example) diluted in warm water. Rinse well with clean water. Any dirt adhering to the powder coating should be removed. In order to remove deposits such as salt or dust, use a soft brush (non-abrasive). If this is not sufficient to remove stubborn soiling, the following products have been tested for use:

Note: Always test soaps/cleaners on a hidden and/or small area beforehand

- Ajax Cream
- Liquid Gumption
- Flash (in water)
- Ajax Liquid (in water)
- Cutting compound ('T. Cut')

Note: Always test soaps/cleaners on a hidden and/or small area beforehand

If solvents are absolutely needed to remove marks, a soft cloth dampened with white spirit may be used.

GENERAL CARE

- Clean with a power washer or light scrub brush (outdoor/municipal bins)
- Clean with a mild detergent with a damp sponge or cloth (indoor/office bins)
- For soil and stain remover, cleaners like Fantastik, Armor All or Acetone may be tried
- UV safe cleaners MUST be used on all outdoor bins

THINGS TO AVOID

- Cleaners with chloride or bleach
- Solvents
- Abrasive detergents
- Steel wool or Scouring pads

Contact Us Today for a Quote on Your Liquid Collection Series Station!

