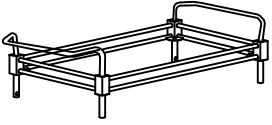
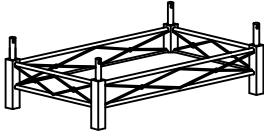
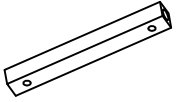





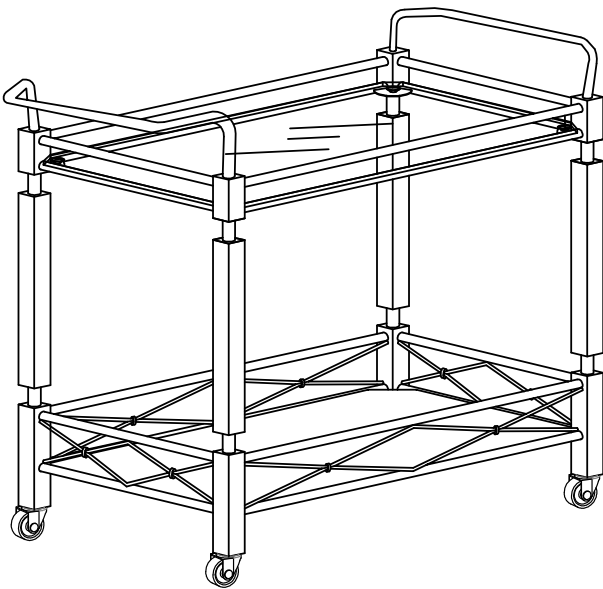


ASSEMBLY INSTRUCTION

E620-07 CLEAR TEMPERED GLASS METAL KITCHEN CART

A Top Frame	B Bottom Frame	C Leg	D Top Glass
			
1pc	1pc	4pcs	1pc
E Screw 15mm	F Suction Cup 14mm	G Wheel	H Open Wrench 13mm
			
8pcs	4pcs	4pcs	1pc

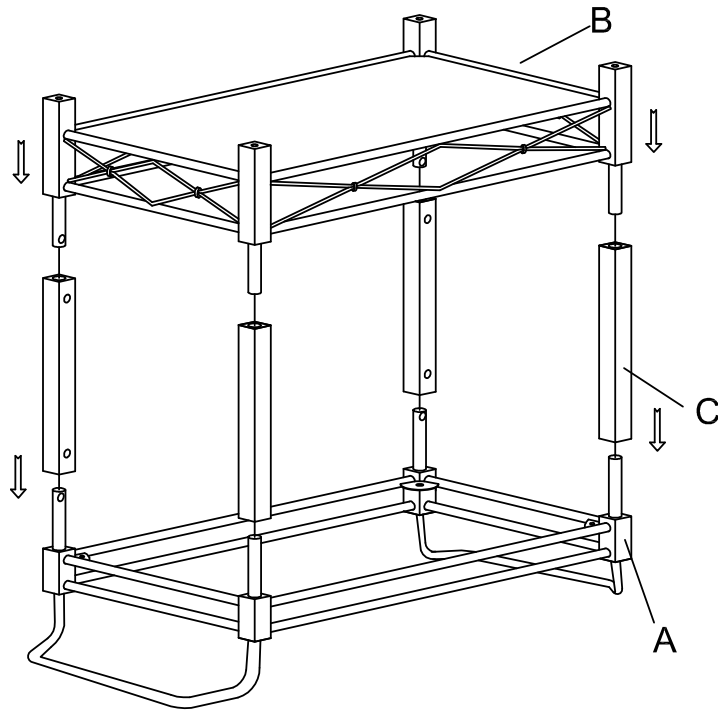


This page lists all the contents included in the box. Please take the time to identify the hardware as well as the individual components to this product. As you unpack and prepare for assembly, place the contents on a carpeted or padded area to protect them from damage.

***** Do not tighten screws & bolts until the entire unit is completely assembled.**

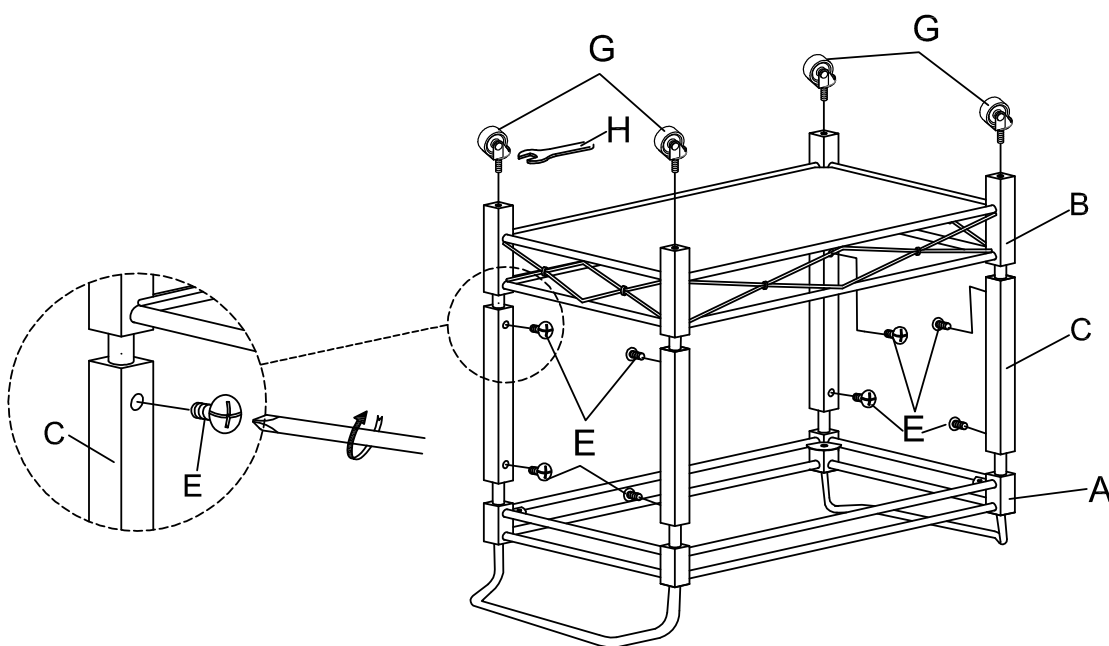
1

Attach top frame (A) and bottom frame (B) to legs (C) as shown.

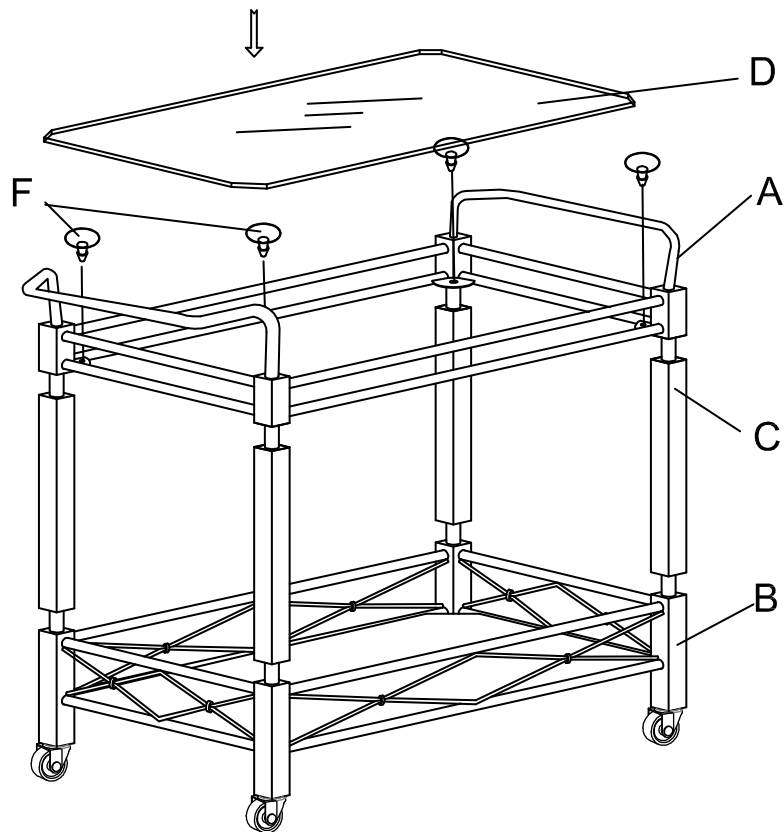


2

Use screw (E) to fix the cart, then attach wheel (G) to bottom frame (B) by open wrench (H) as shown.



-
- 3** Attach suction cup (F) to top frame (A), then put top glass (D) into top frame (A) as shown.



Cleaning & Care

Treat surface with care. Surface is resistant to scratches but is not scratch resistant. Clean surfaces with a dry or damp soft cloth. Do not use abrasive cleaners. Hardware may loosen over time. Periodically check that all connections are tight.