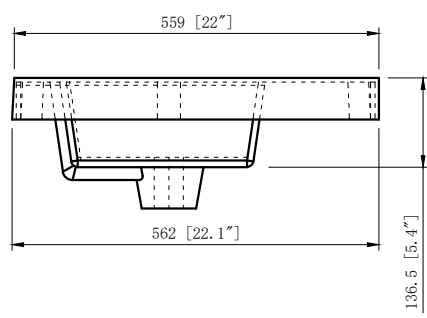
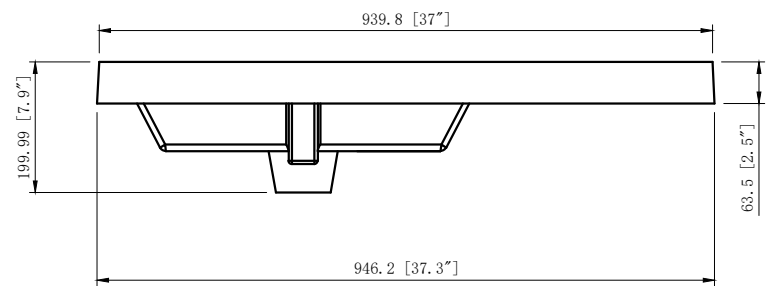
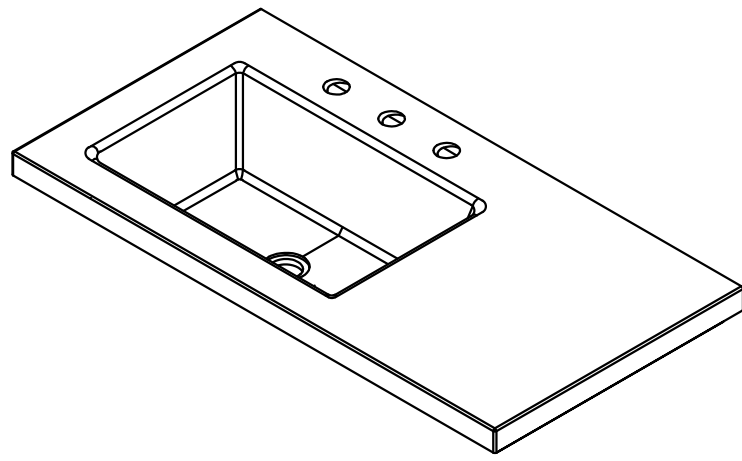
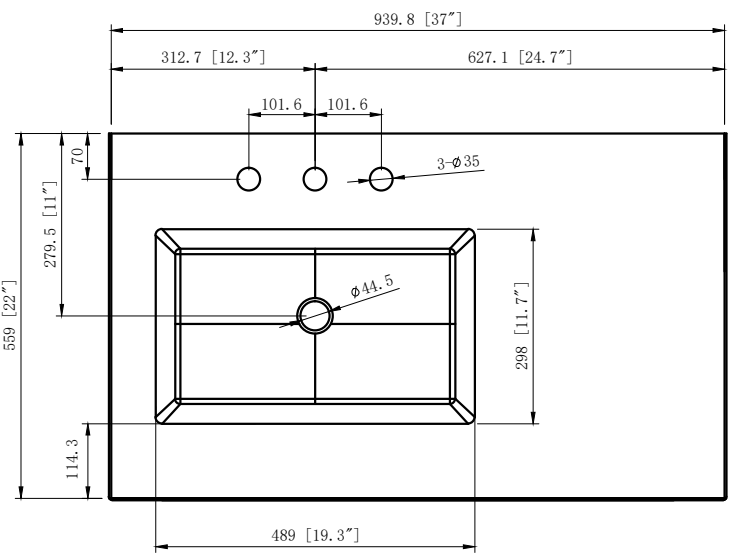
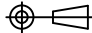


Item#	Material	Thickness	Bright of Finish
TOPO37WCCAD-ADD	White Carrara Marble	25mm	90%
TOPO37BGCAD-ADD	Black Granite	25mm	90%
TOPO37GQCAD-ADD	Grey Quartz	18mm	90%
TOPO37MGCAD-ADD	Grey Marble	18mm	90%
TOPO37LSCAD-ADD	Blue Limestone	25mm	20-30%
TOPO37CQCAD-ADD	Calacatta Vienna Quartz	18mm	
TOPO37BQCAD-ADD	Calacatta Black Quartz	18mm	
TOPO37CLCAD-ADD	Carrara-look Quartz	18mm	
TOPO37SGCAD-ADD	Steel Grey - Cultured Marble	25mm	
TOPO37ASCAD-ADD	Arctic Stone - Cultured Marble	25mm	
TOPO37BOCAD-ADD	Boulder - Cultured Marble	25mm	

THIRD ANGLE PROJECTION				hardware resources [®]			
MATERIAL		FINISH					
TITLE				TOPO37XXCAD-ADD			
DRAWN BY		DATE					
Tony. Huang		12-27-19		DRAWING NUMBER		REV	
APPROVED BY		DATE		SIZE		RELEASE LEVEL	
				A3		SCALE 1:1 SHEET 1 OF 1	



Material :Lavante - Cultured Marble

THIRD ANGLE PROJECTION						hardware resources			
MATERIAL	FINISH								
DRAWN BY		DATE		TOPR37LACAD-ADD					
Tony. Huang		04-28-20		DRAWING NUMBER		REV			
DESIGNED BY		DATE		DRAWING NUMBER		REV			
APPROVED BY		DATE		SIZE	RELEASE LEVEL				
				A3	SCALE 1:1	SHEET	1 OF 1		