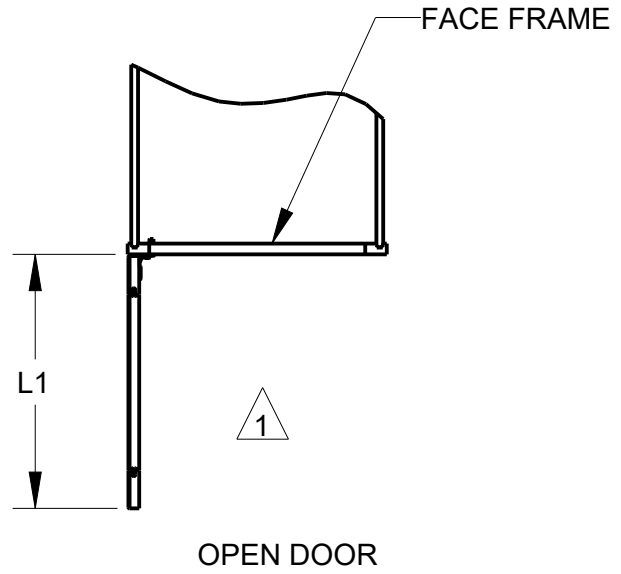
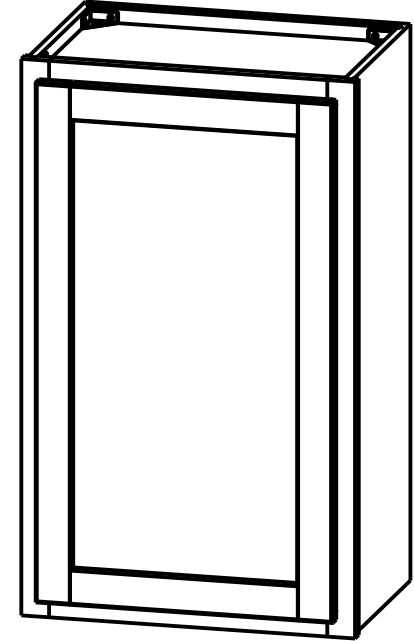
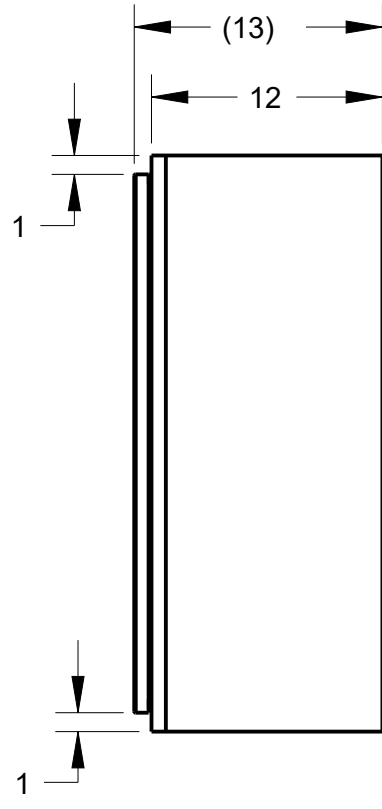
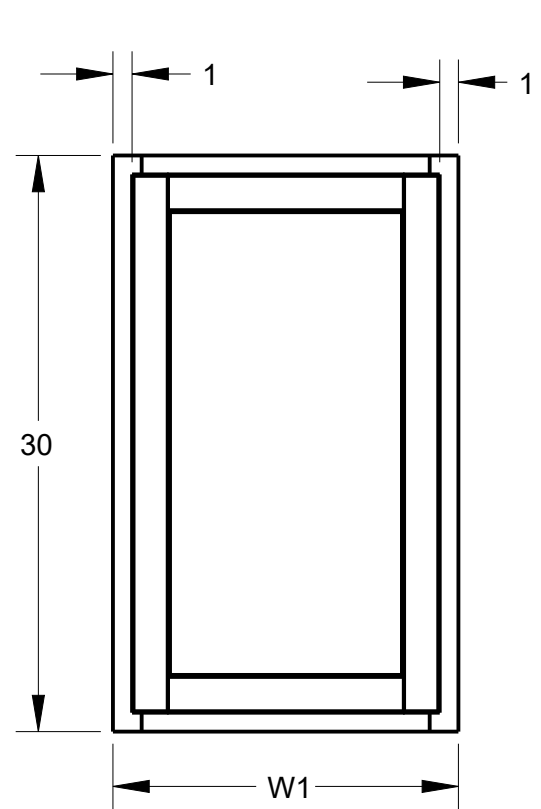


NOTES:

1 OPEN DOOR VIEW INCLUDES HINGE SPACE OFFSET.

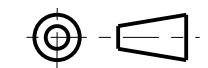
PRODUCT	W1	L1	DOOR SIZE
			ROUNDED TO THE NEAREST 1/32
W0930	9"	7 3/16"	7 1/32" X 28 1/32"
W1230	12"	10 3/16"	10 1/32" X 28 1/32"
W1530	15"	13 3/16"	13 1/32" X 28 1/32"
W1830	18"	16 3/16"	16 1/32" X 28 1/32"
W2130	21"	19 3/16"	19 1/32" X 28 1/32"



PRODUCT SHOWN W1830

DOCUMENT STATUS Released

THIRD ANGLE PROJECTION



MATERIAL N/A
FINISH N/A

DRAWN BY ANDY BROWN
DATE 25FEB2021

DESIGNED BY NORTHPOINT
DATE

APPROVED BY E.GOLESTANYAN
DATE 11MAR2021



DESCRIPTION
W0930, W1230, W1530, W1830, W2130
HALF OVERLAY

DRAWING NUMBER
W0930-W1230W1530W1830W2130_HALF

REV
A

SIZE
A3

SCALE
0.100

SHEET
1 / 1

HARDWARE RESOURCES RESERVES THE RIGHT TO CHANGE SPECIFICATIONS WITHOUT NOTICE.
IN CASE OF A DISCREPANCY, ACTUAL PART GEOMETRY SUPERSEDES THIS DOCUMENT.

THE INFORMATION CONTAINED WITHIN THIS DRAWING IS THE SOLE PROPERTY OF HARDWARE RESOURCES INC. ANY REPRODUCTION IN PART OR WHOLE WITHOUT WRITTEN PERMISSION OF HARDWARE RESOURCES INC. IS PROHIBITED.