



# Morningside™ | K-12636

20" x 27" mount/concealed arm carrier wheelchair bathroom sink with 4" centerset faucet holes

## Features

- Made from premium materials that withstand high-volume usage
- 20" (508 mm) x 27" (686 mm)
- 4" center drilling
- ADA-compliant when installed with K-13885 offset drain



## Available Colors/Finishes

*Color tiles intended for reference only.*

- 0 White



## Codes/Standards

ADA compliant when installed to the specific requirements of these regulations.

ADA

ASME A112.19.2/CSA B45.1

ADA

ICC/ANSI A117.1

## Technical Information

Number of Deck Holes:	3
Faucet Hole(s) Size:	1-1/4" (32 mm)
Center(s):	4" (102 mm)
With Overflow:	Yes
Drain Hole Diameter:	1-3/4" (44 mm)
Basin Configuration:	Single Bowl
Basin Length:	14" (356 mm)
Basin Width:	13" (330 mm)
Basin Depth:	4-5/8" (118 mm)

## Material

- Vitreous china

## Recommended Products/Accessories

K-23726 Drain treatment

K-8998 Adjustable P-trap with tubing outlet, 1-1/4" x 1-1/4"

K-7131-A Bathroom sink offset drain with open strainer

K-23725 Cast iron cleaner

## Warranty

See website for detailed warranty information.

KOHLER® Vitreous China Bathroom Sink Lifetime Limited Warranty

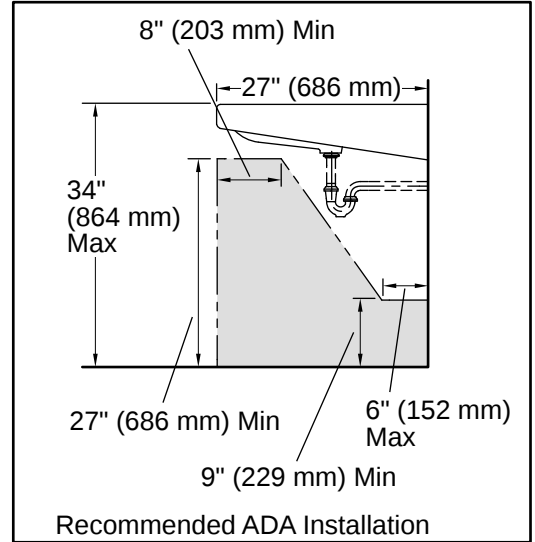
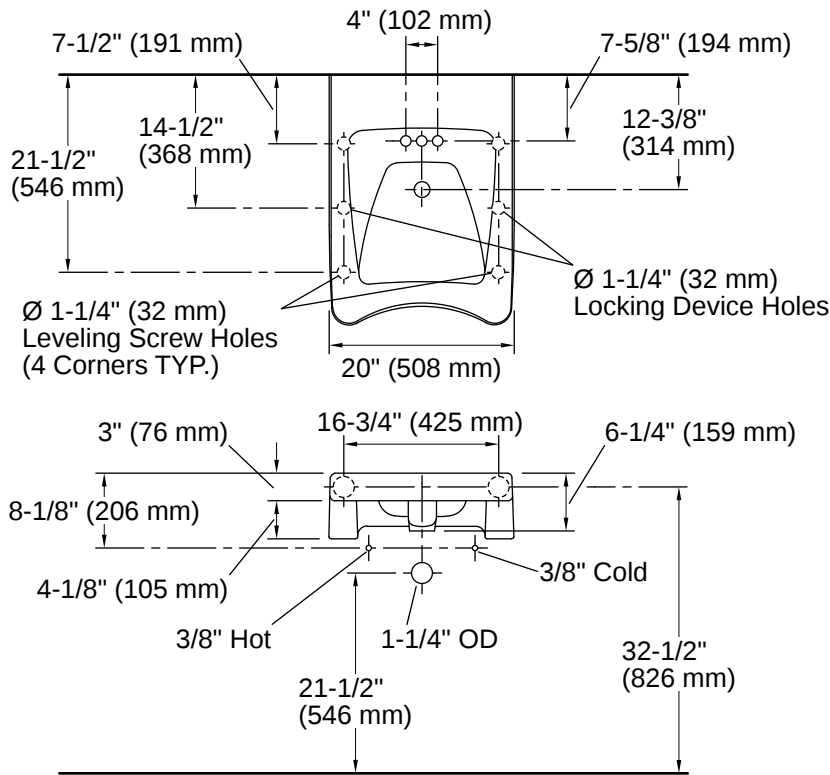


1-800-4KOHLER (1-800-456-4537)

Kohler Co. reserves the right to make revisions without notice to product specifications.

For the most current specification sheet, go to [www.kohler.com](http://www.kohler.com) USA or [www.kohler.ca](http://www.kohler.ca) Canada.

4-13-2026 12:26 - US-CA



## Installation

- Wall-mount
- Drilled for concealed arm carrier installation

## Installation Notes

Install this product according to the installation instructions.

Product dimensions are nominal and may vary per ASME A112.19.2 tolerances.

ADA compliant when installed to the specific requirements of these regulations.

