

# EXL220

## LED Edge Lit Exit Sign v2

### Product Description

The EXL220 LED Edge Lit Exit Series features a contemporary design with ease of installation in mind. The pivoting driver case allows for wall, ceiling, stairwell, or end-mount installation all in one, dependable package. Constructed of impact-resistant, optically clear acrylic, choose from clear single-faced or mirrored double-faced panels. High output LEDs deliver an indirect, evenly illuminated edge-lit exit sign with exceptional light distribution and a maintenance-free nickel-cadmium battery for long life. The EXL220 Series offers field adjustable chevrons for universal configuration based on your application's directional needs.

#### Construction

- Specification grade aluminum extrusion design
- Driver case pivots  $\pm 90^\circ$  around center for wall, ceiling, and stairwell installation
- Optically clear, impact resistant acrylic panels with lettering
- Single or double faced configurations available

#### Electrical

- LED light engine provides consistently bright, even EXIT legend illumination
- Maintenance-free NiCad battery provides 90-minute emergency operation
- 120/277VAC Dual Voltage Operation, 60Hz input
- Fully-illuminated 6" letter height with 3/4" stroke
- Low voltage disconnect eliminates deep discharge
- Brown-out, short circuit and voltage surge protection
- LED Indicator Light & Self-Test Push Button Switch
- Damp Location Rated
- Operating temperature: 32°F - 104°F (0°C - 40°C)

#### Mounting & Installation

- Mounting plate allows for J box mounting with ceiling, wall or end-mount applications
- Field-installable, removable chevron directional indicators (with mounting template) for all configurations
- For installations where power surge may be possible, NICOR recommends installing additional surge protection at the electrical distribution panel

#### Finish

- Satin finished aluminum housing
- Available with clear (single faced) or mirrored backing (double face)
- Available with green or red lettering

#### Listings

- UL & cUL 924 Listed
- Meets or exceeds requirements of NFPA 70 & NFPA 101
- Meets FCC Part 15, Subpart B, Class B standards for conducted and radiated emissions

#### Warranty

- 1-year limited system warranty standard
- Warranty does not cover product failure due to an overvoltage event (power surge)

### PRODUCT INFORMATION

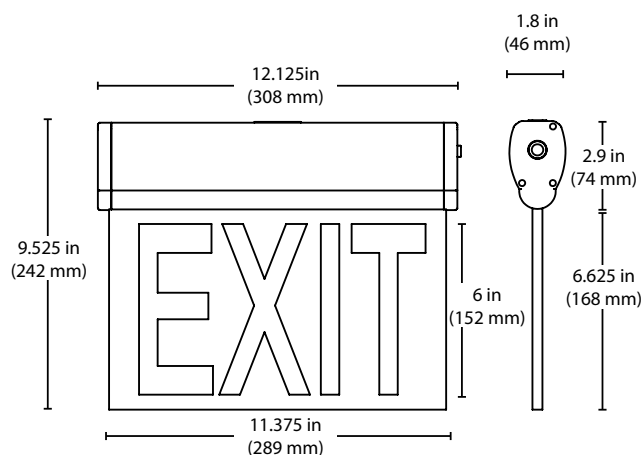
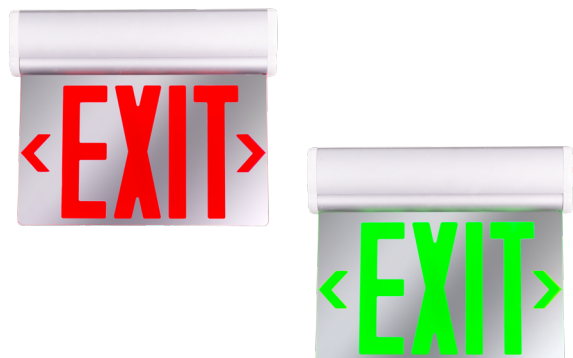
Input Voltage:	120/277VAC
Power Draw:	2.3W

Project

Catalog

Type

Date



### Ordering Information

Example: EXL220UNVCLG1

Series	Version/Voltage	Backing Material	Letter Color	Number of Sides
EXL2	20UNV (Version 2, 120/277V)	CL (Clear - single only)	G (Green)	1 (Single)
		MR (Mirrored - double only)	R (Red)	2 (Double)

Specifications and dimensions subject to change without notice