

Features

- Includes faceplate with handle
- Single handle provides on/off activation and volume control
- Complements Forté faucets and accessories

Material

- Premium material construction with metal handle ensures reliability and durability
- KOHLER finishes resist corrosion and tarnishing

Installation

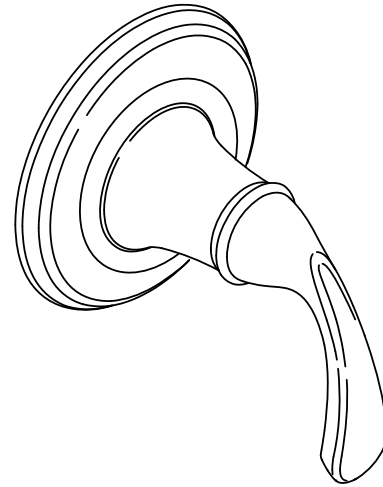
- Trim only; requires valve to complete installation (sold separately)
- Patented K-joint installation technology ensures consistent trim appearance, regardless of variability in valve rough-in

Required Products/Accessories

K-2977-K 3/4" Volume Control Valve

or

K-2974-K 1/2" volume control valve



ADA

CSA B651

Codes/Standards

ASME A112.18.1/CSA B125.1

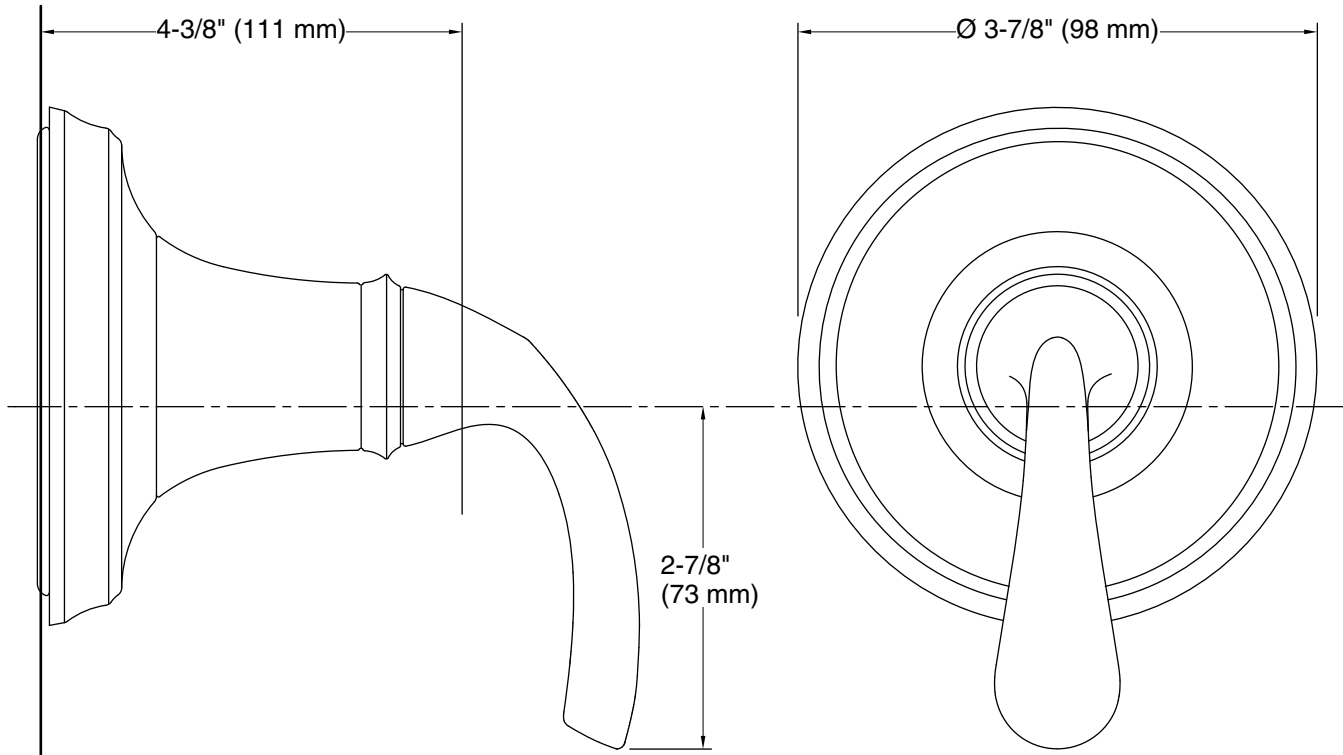
ADA

ICC/ANSI A117.1

CSA B651

KOHLER® Faucet Lifetime Limited Warranty

See website for detailed warranty information.



Technical Information

All product dimensions are nominal.

Spout:

Notes

Install this product according to the installation instructions.

ADA, CSA B651 compliant when installed to the specific requirements of these regulations.