

ANZZI®

Item: FT-AZ517

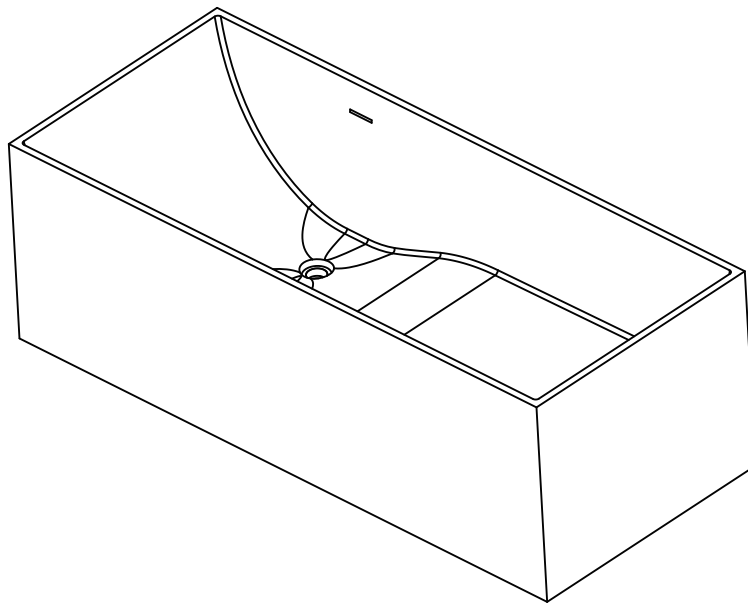
SOLID SURFACE SOAKING

FREESTANDING BATHTUB

INSTALLATION & OPERATION MANUAL

V1.0

01/17/2025



**DON'T WAIT!
REGISTER NOW!**

Register your product within 30 days to ensure your bathtub is recognized as an official purchase and is eligible for warranty coverage.

Register online at <https://anzzi.com/pages/register>.



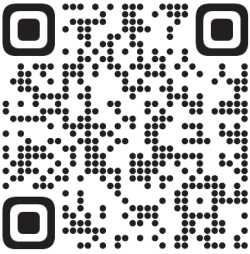
PRODUCT REGISTRATION*

IMPORTANT: Warranty will not be recognized unless product is registered.

Register online at <https://anzzi.com/pages/register> or Scan the QR code below.
Registering online is fast, secure, and ensures we receive your information.

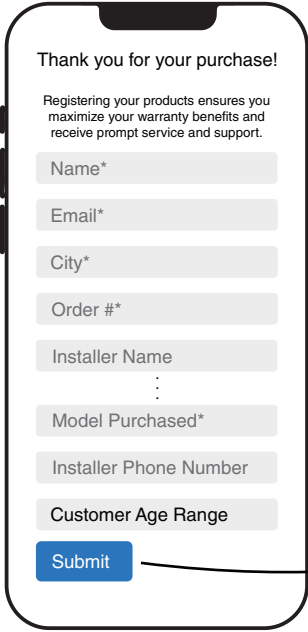
1

USE YOUR PHONE CAMERA
TO SCAN THE QR CODE



2

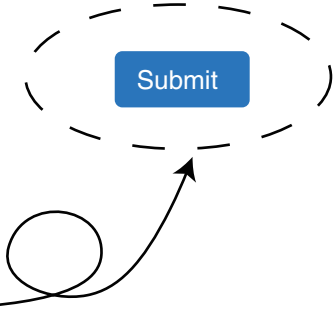
FILL IN A QUICK
REGISTRATION FORM



The registration form on the smartphone screen includes the following fields: Name*, Email*, City*, Order #*, Installer Name, Model Purchased*, Installer Phone Number, and Customer Age Range. A blue 'Submit' button is located at the bottom of the form.

3

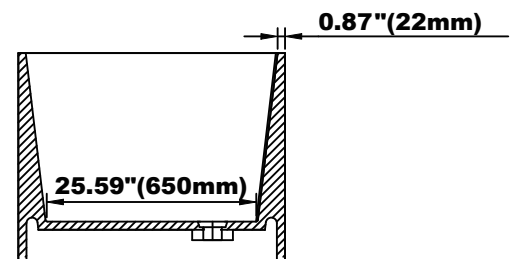
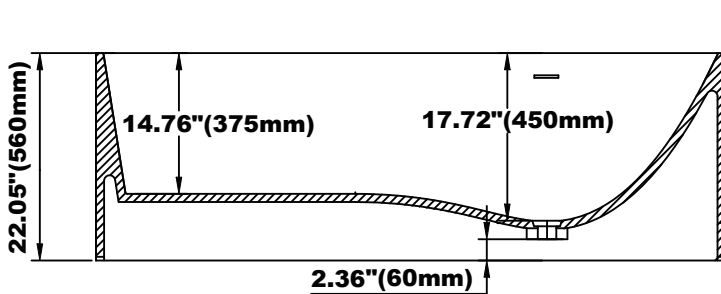
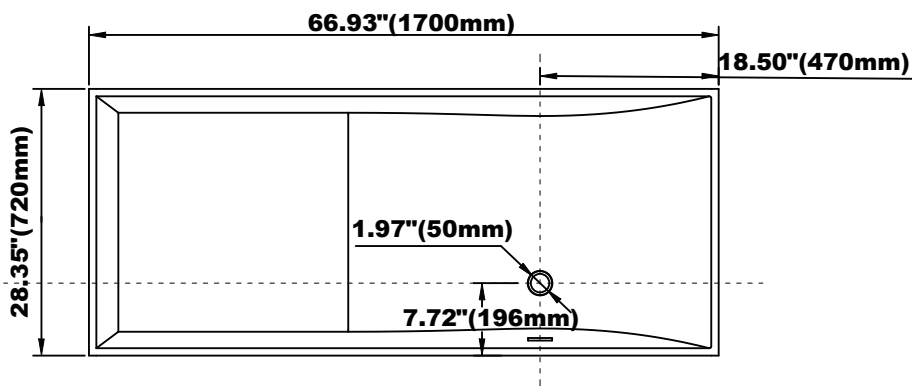
CLICK SUBMIT AND
ENJOY PEACE OF MIND



A dashed oval highlights a 'Submit' button, with an arrow pointing from the 'Submit' button on the smartphone screen to this callout.



Item: FT-AZ517 FREESTANDING BATHTUB





SAFETY INSTRUCTIONS

READ THESE INSTRUCTIONS COMPLETELY BEFORE INSTALLING THE PRODUCT. FAILURE TO DO SO COULD RESULT IN AN IMPROPER INSTALLATION AND COULD VOID THE WARRANTY.

IMPORTANT SAFETY INSTRUCTIONS.

READ AND FOLLOW ALL INSTRUCTIONS.

SAVE THESE INSTRUCTIONS.

WARNING: RISK OF ACCIDENTAL INJURY OR DROWNING: CHILDREN SHOULD NOT USE BATHTUB WITHOUT ADULT SUPERVISION.

WARNING: TO AVOID INJURY, EXERCISE CARE WHEN ENTERING OR EXITING THE BATHTUB.

WARNING: MAKE CERTAIN THE FLOOR STRUCTURE IS LEVEL AND ADEQUATE TO SUPPORT INSTALLATION.

WARNING: IT IS THE RESPONSIBILITY OF THE INSTALLER OR OWNER TO DETERMINE CODE REQUIREMENTS.

WARNING: INSTALLATION MUST COMPLY WITH CURRENT LOCAL AND STATE BUILDING, PLUMBING CODE.

HEAVY!



**TEAM LIFTING
REQUIRED**

**TEAM ARE REQUIRED TO LIFT AND DURING
ENTIRE INSTALLATION OF THIS PRODUCT**



SAVE THIS MANUAL!

RESPONSIBILITY OF THE INSTALLER!

THE INSTALLER MUST INSPECT AND WATER TEST THE PRODUCT PRIOR TO INSTALLATION TO ENSURE THE UNIT IS FREE OF DEFECT OR DAMAGE. IN THE EVENT OF A PROBLEM, THE UNIT MUST NOT BE INSTALLED. IF THE CRATE OR THE PRODUCT HAS BEEN DAMAGED DURING SHIPPING, PLEASE CALL US IMMEDIATELY.

THIS PRODUCT MUST BE INSTALLED BY A LICENSED/CERTIFIED CONTRACTOR!

LICENSED PLUMBERS SHOULD BE EMPLOYED TO INSURE PROPER INSTALLATION. INSTALLERS ASSUME ALL LIABILITY FOR THE CORRECT INSTALLATION PROCEDURES. ONLY ACCESSORIES AUTHORIZED BY THE MANUFACTURER SHOULD BE USED WITH THIS PRODUCT.

REPORT DAMAGES RIGHT AWAY! REPORT ANY DAMAGE TO THE BATHTUB WITHIN 5 BUSINESS DAYS. ANY DAMAGE DONE BEYOND THAT WILL BE ASSUMED TO HAVE HAPPENED DURING OR AFTER THE INSTALLATION.

TEST THE TUB BEFORE INSTALLATION! BEFORE PERMANENTLY INSTALLING THE BATHTUB, YOUR INSTALLER MUST TEST THE TUB. FILL TUB AND INSPECT FOR ANY LEAKING. ONLY IF THERE ARE NO SIGNS OF LEAKAGE , YOU SHOULD PROCEED TO PERMANENTLY INSTALL THE UNIT.

LEVEL THE TUB AND AVOID LEAKAGE! CHECK THE AREA PRIOR TO INSTALLATION.ENSURE THE BATHTUB IS PERFECTLY LEVEL. AN UNLEVELED TUB WILL RESULT IN LEAKAGE.

** All bathtubs are 100% water tested at the factory and certified to be free of leaks Transportation and mishandling may cause leaks.It is necessary to test the bathtub while there is access to all sides of the bathtub.*

TEST THE BATHTUB WHILE YOU HAVE ACCESS TO THE BOTTOM AND BEFORE PERMANENTLY INSTALLED.

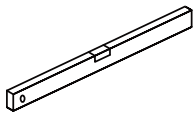
READ AND FOLLOW ALL INSTRUCTIONS

- Place the tub on a completely flat surface in an area where it may be drained after testing.
- Close the drain and fill the tub about half way.
- Allow the water to stand in tub for 30 minutes and then inspect all plumbing and seals for leaks.

ANZZI®

UNPACK THE BATHTUB

REMOVE THE BATHTUB FROM THE BOX AND PREPARE THE FOLLOWING TOOLS.



LEVEL
needed



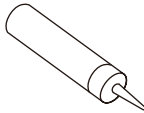
**ADJUSTABLE
WRENCH**
needed



**TEFLON
TAPE**
needed



**SICILONE
GUN**
needed



CAULK
needed



**MARKING
PENCIL**
needed



SHIM(4pcs)
needed



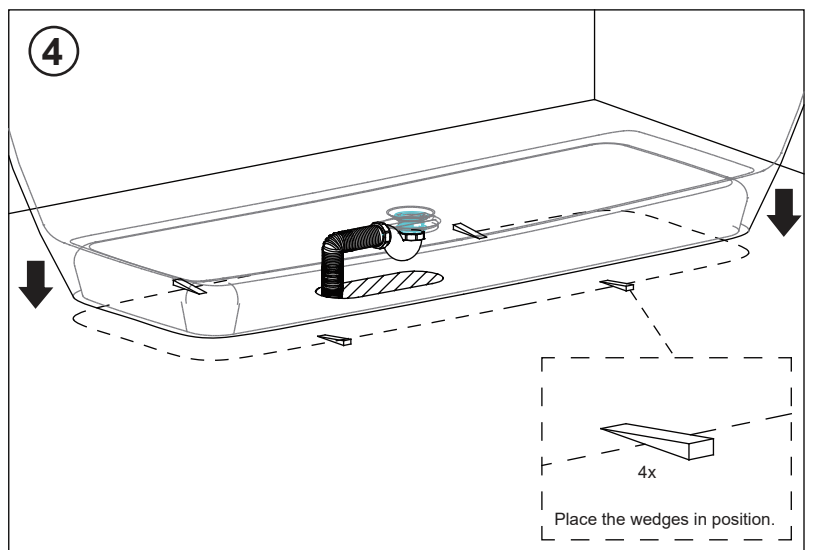
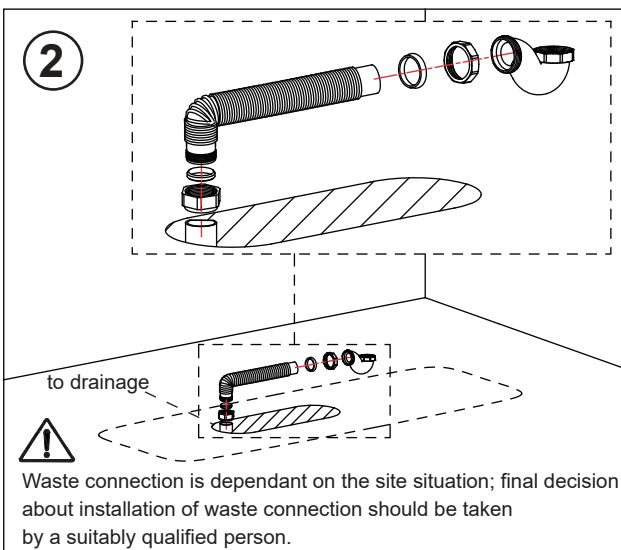
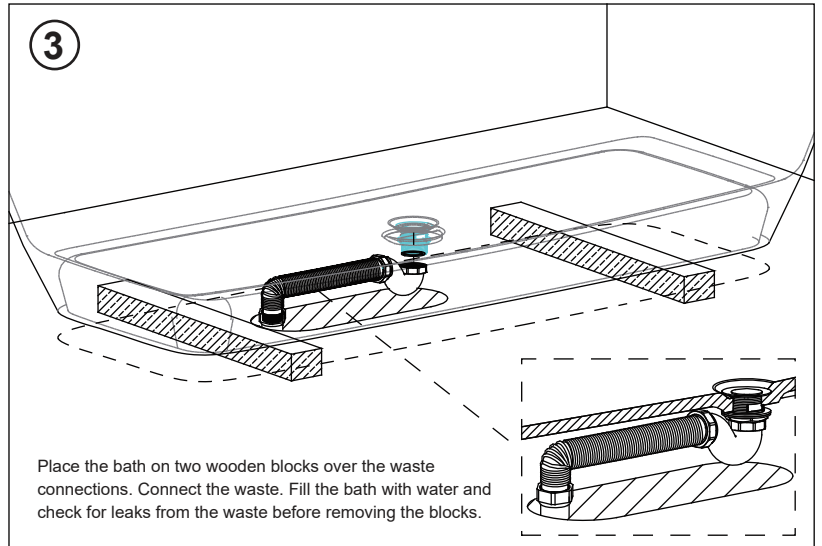
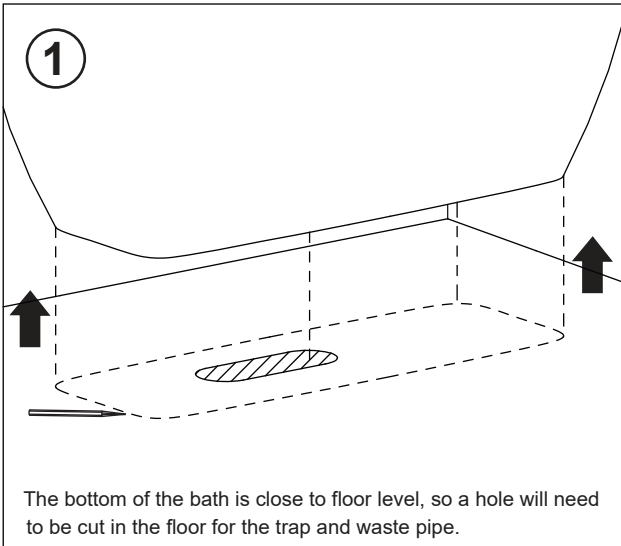
**SOFT CLOTH
OR BLANKET**
needed

THIS INSTALLATION GUIDE DOES NOT PROVIDE SPECIFIC DETAILS ABOUT WASTE CONNECTIONS. THE FINAL DECISION REGARDING THE INSTALLATION OF WASTE CONNECTIONS SHOULD BE MADE BY A SUITABLY QUALIFIED PROFESSIONAL.

INSTALLING THE BATHTUB

IMPORTANT

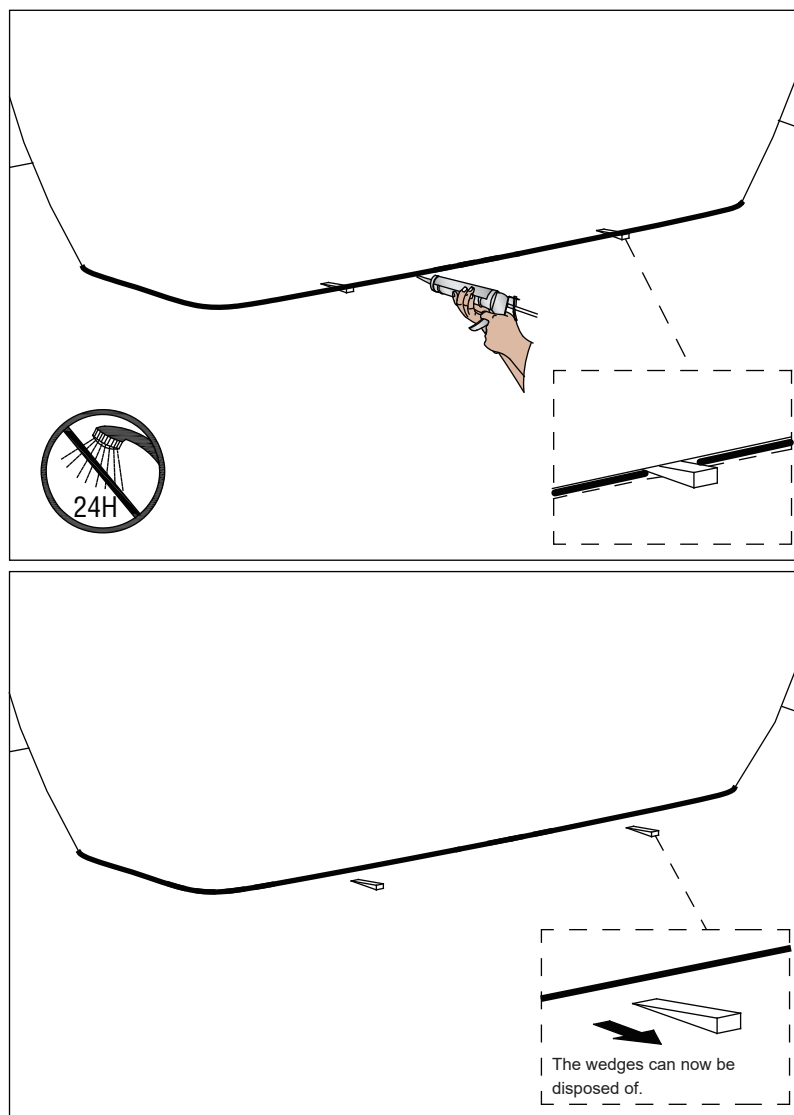
- Please unwrap the bath and check it carefully to ensure it has not been damaged in handling or transport.
- Please check that all parts have been supplied.
- Store the bath in a safe place until you begin installation to avoid damage.
- Assemble bath on a mat to protect against damage to bath surface.
- No claims for damages or blemishes will be accepted once the bath has been installed.
- This product requires a two person lift – use proper lifting techniques.



ANZZI®

SEAL TUB

ADD A BEAD OF SILICONE AROUND THE BASE OF THE BATHTUB AND ALLOW 24 HOURS TO PASS BEFORE USE TO ENSURE THE SILICONE HAS SET.



FILL THE BATHTUB

FINALLY FILL THE BATHTUB WITH WATER.

CARE AND CLEANING

- Most dirt will wash off with mild soap period Rinse thoroughly with warm water immediately and wipe dry with soft cloth.
- For tough dirt spots, use liquid dish washing soap or non-chlorine bleach.
- Do not use abrasive material such as steel wool or scouring pads to clean the surface.
- Always test the cleaning solution on a small area before using it on the entire surface.
- Do not use any abrasive cleaners, cleaners containing acid, alkaline, ammonia or solvents which will cause damage in the surface.

Maintenance Tips

It may be possible to polish very fine scratches away without using abrasive papers: scrubbing gently with a soft brush or plastic pad (not metal scouring) and a mildy abrasive cream cleaner. Afterwards scrub the whole area with plenty of clean water and re-polish as before.

Glosh Finish

1. Clean the surface with water, making sure no dust remains.
2. Use 800 sandpaper to polish the surface in focus with water.
3. Use 1500 sandpaper to polish the surface with water to gain a smooth surface.
4. Use 2000 sandpaper to polish the surface with water to gain a smoother surface
5. Wipe up the water with clean and dry cloth.
6. Polish with G3 wax.
7. Wipe up the remaining wax with a clean and dry cloth.

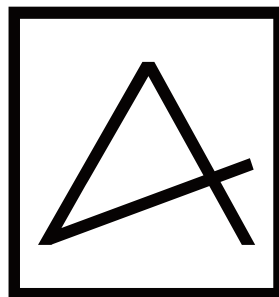
Matte Finish

1. Clean the surface with water, making sure no dust remains.
2. Use 800 sandpaper to polish the surface in focus with water to gain a smooth surface and matte finish.
3. Wipe up the water with clean and dry cloth.

Warning

Never use cleaners / bleach products specifically manufactured for WC bowl cleaning as they may damage your bath. Hair dye can stain the surface of the bath.

We recommend that dye is not applied in, or over, the bath. Nail varnish can rub off on to the surface and is difficult to remove.



ANZZI®