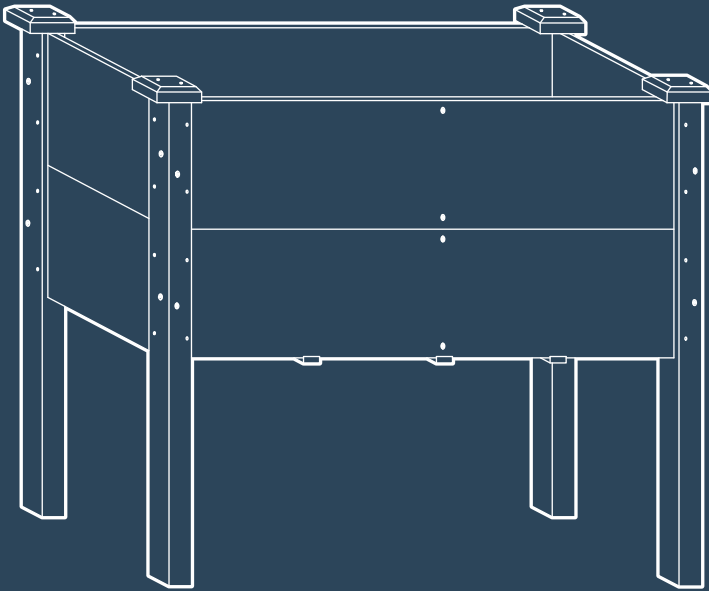




BEST CHOICE
PRODUCTS



INSTRUCTION MANUAL

48" x 30" x 24" Elevated Wooden
Garden Bed with 16" Depth

! NOTICE | Please retain these instructions for future reference.

- Do not stand on or use any part of this item as a step ladder.
- Firmly secure all bolts, screws and knobs before use.
- Reconfirm that all bolts, screws, and knobs are secure every 90 days.
- Fasten screws loosely during initial assembly. Do not firmly tighten the screws until the item is completely assembled.
- Do not use or store this item in the proximity of open flame or flammable/combustible chemicals.
- Be aware that some parts are heavy and have sharp edges.
- If any parts are missing, broken, damaged, or worn, stop using this product until repairs are made and/or factory replacement parts are installed.
- Do not use this item in a way inconsistent with the manufacturer's instructions as this could void the product warranty.
- This item is made of wood and may expand due to moisture.
- This product is intended for residential use only.

TOOLS REQUIRED



PHILLIPS
SCREWDRIVER



FLATHEAD
SCREWDRIVER




1 PERSON
ASSEMBLY



UP TO 45 MIN.
ASSEMBLY


HARDWARE

A M4 x 35mm
SCREW



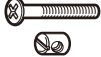
40 PCS

B M4 x 30mm
SCREW




12 PCS

C M6 x 85mm
BARREL BOLT &
NUT




16 SETS

D M6 x 40mm
BOLT &
LOCKNUT



8 SETS


E DOWEL



4 PCS


PARTS

1 LEG I



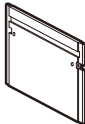
2 PCS

2 LEG II



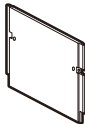
2 PCS

3 LOWER SHORT
PANEL

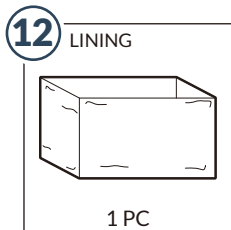
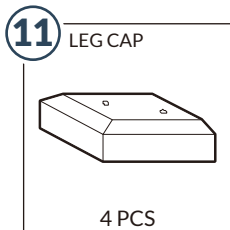
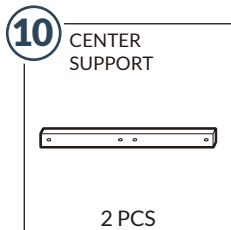
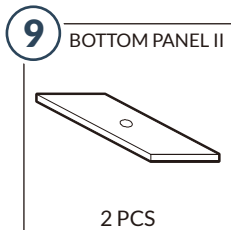
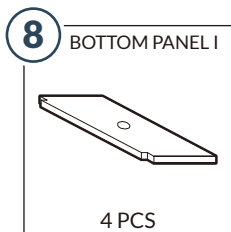
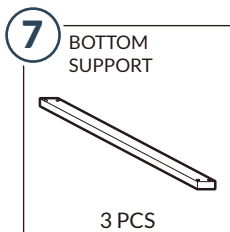
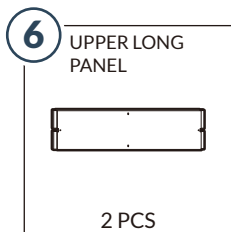
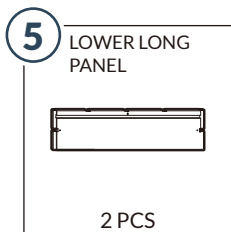


2 PCS

4 UPPER SHORT
PANEL



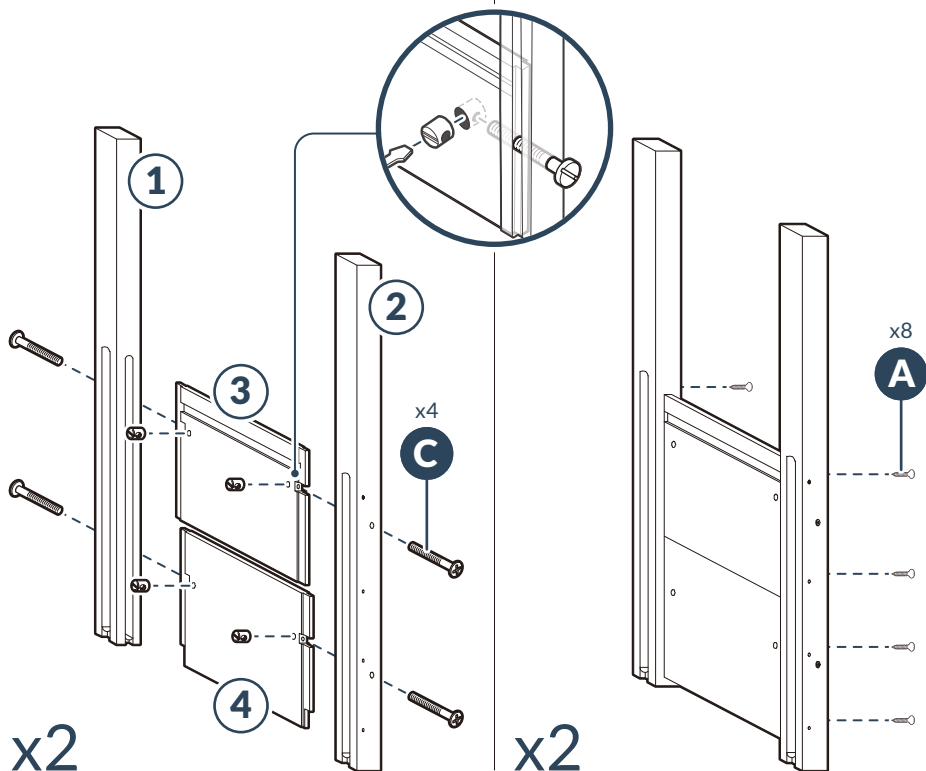
2 PCS



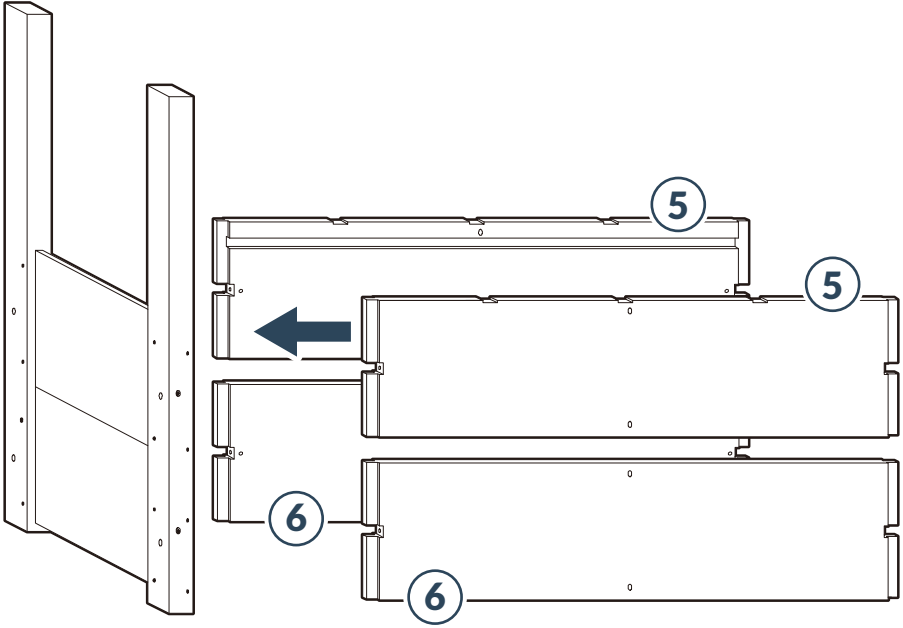
PRODUCT ASSEMBLY

1 Attach one part 3 lower short panel and one part 4 upper lower panel to a part 1 leg and a part 2 leg using four part C barrel bolts & nuts, two per leg. Repeat for the second short panel.

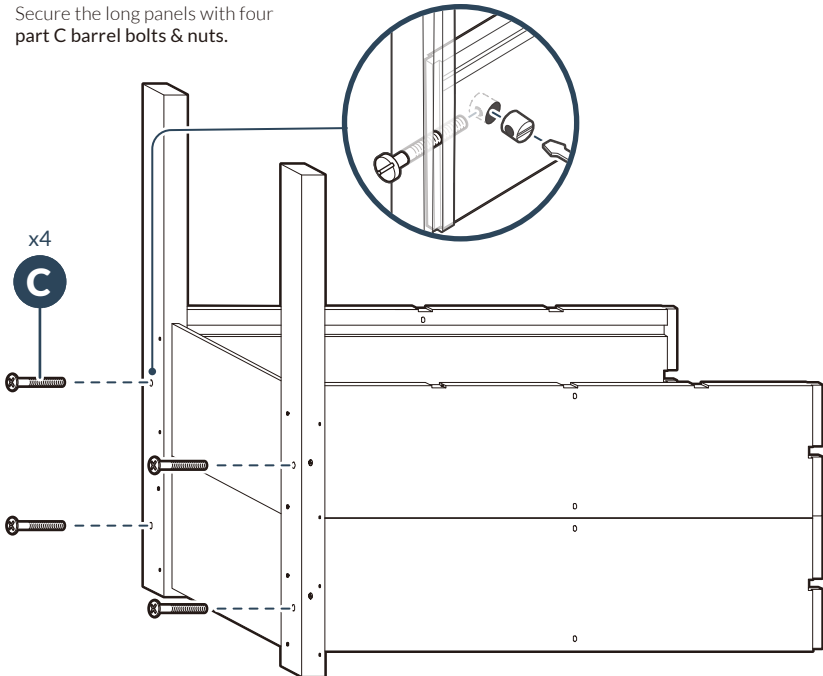
2 Secure the short panel with eight part A screw, four per leg. Repeat for the second short panel.



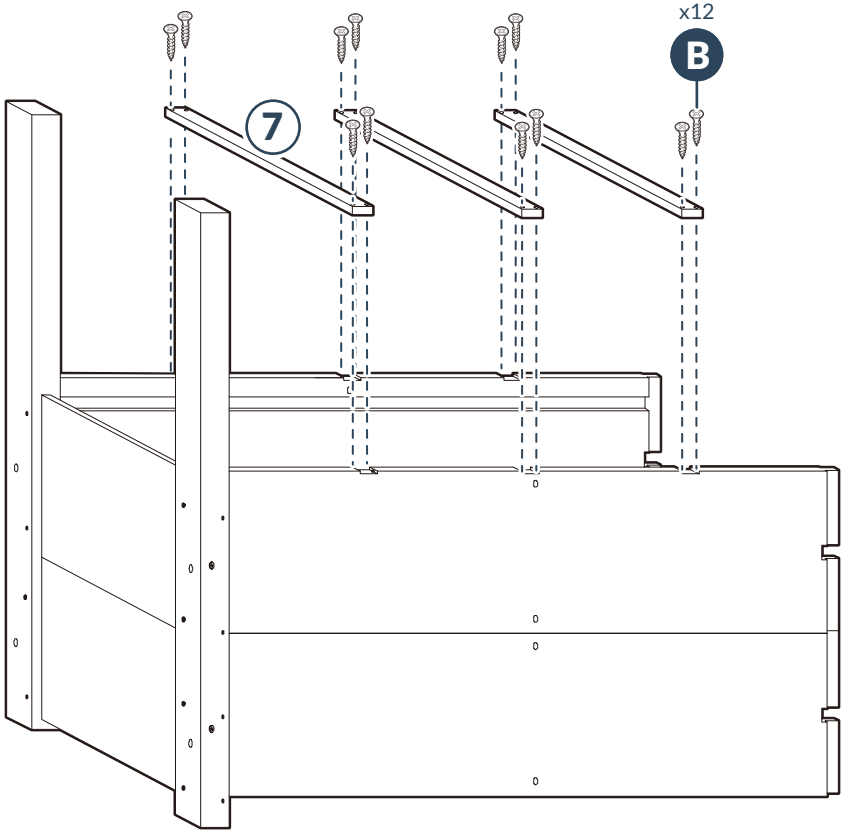
- 3** | Insert two **part 5 lower long panels** and two **part 6 upper panels** to a short panel side.



- 4** | Secure the long panels with four **part C barrel bolts & nuts**.



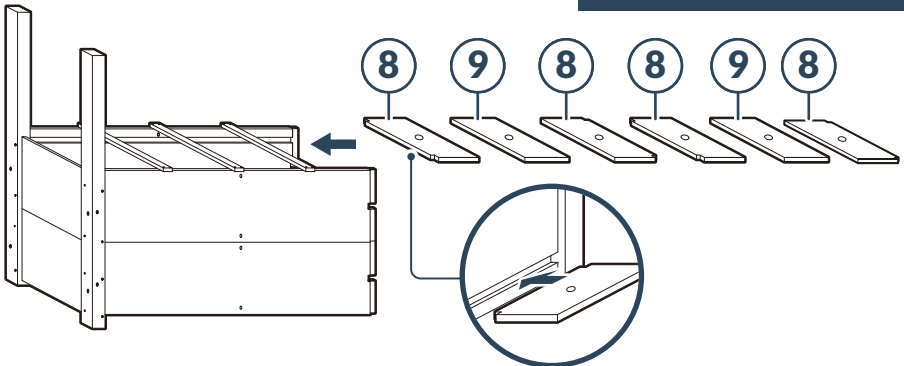
- 5 | Attach three **part 7** bottom supports with twelve **part B** screws.



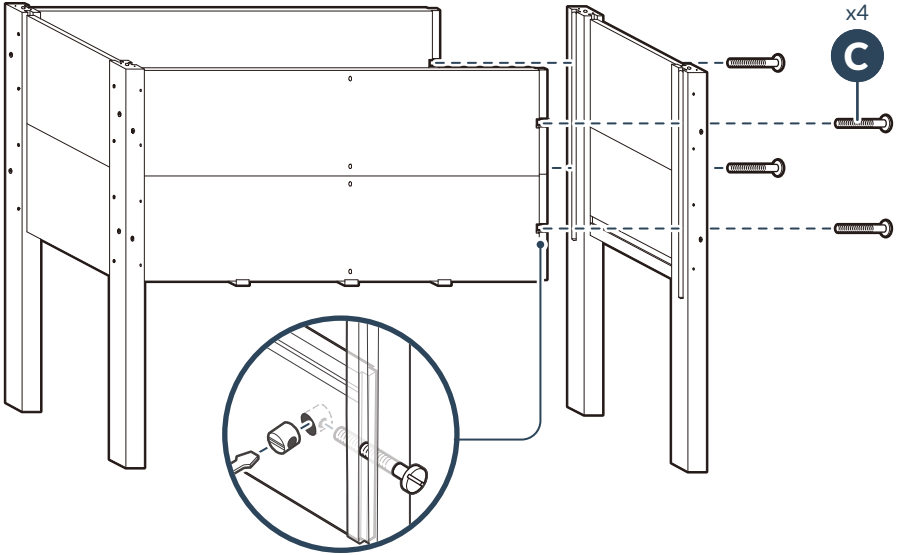
- 6 | Slide four **part 8** and two **part 9** bottom panels into the designated slots. When inserting the panels, push them flush against the **part 1&2** legs.



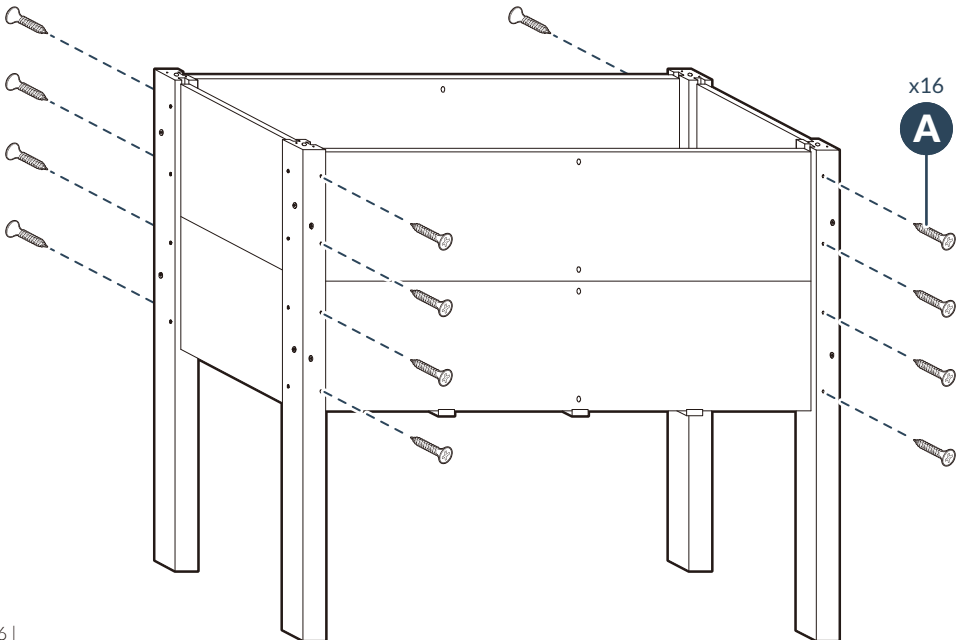
There will be a slight gap between the two 8 panels, this is normal and will reduce warping from moisture.



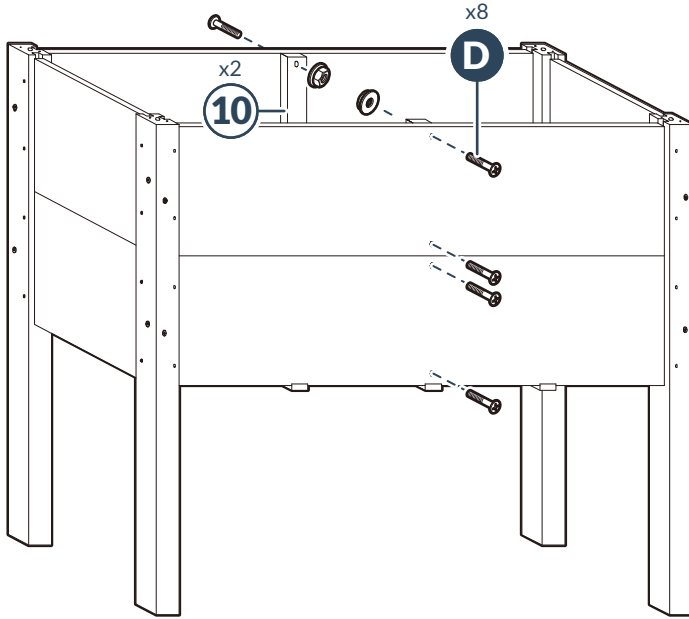
7 | Flip the planter onto its legs. Secure the other short panel side with four **part C barrel bolts & nuts**.



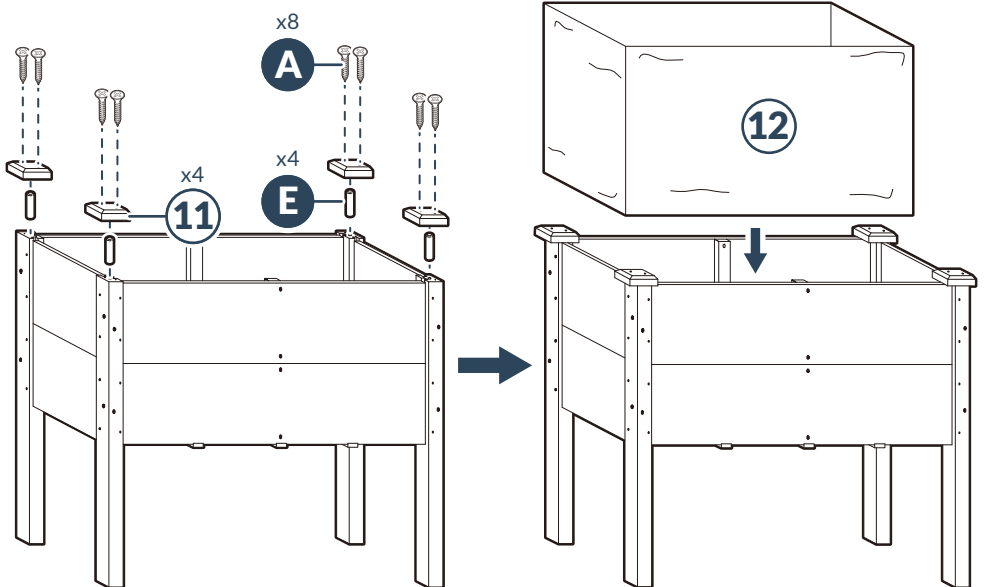
8 | Secure the long panel with sixteen **part A screw**, four per leg.



9 | Secure two **part 10 center supports** with eight **part D bolts & locknuts**, four per support.



10 | Attach four **part 11 leg caps** with four **part E dowels** and eight **part A screws**. Place the **part 12 lining**.





HELP CENTER

Question about your product? We're here to help. Visit us at:

bestchoiceproducts.com/pages/help



Chat Support



Product Inquiry



Orders FAQ



Product Assembly



Returns & Refunds

PRODUCT WARRANTY INFORMATION

All items can be returned for any reason within 60 days of the receipt and will receive a full refund as long as the item is returned in its original product packaging and all accessories from its original shipment are included. All returned items will receive a full refund back to the original payment method. All returned items will not be charged a re-stocking fee.

All returned items require an RA (Return Authorization) number, which can only be provided by a Best Choice Products Customer Service Representative when the return request is submitted. Items received without an RA may not be accepted or may increase your return processing time. Once an item has been received by Best Choice Products, refunds or replacements will be processed within 5 business days.

All returns must be shipped back to the Best Choice Products Return Center at the customer's expense. If the reason for return is a result of an error by Best Choice Products then Best Choice Products will provide a pre-paid shipping label via email. Boxes for return shipping will not be provided by Best Choice Products, and is the customer's responsibility to either use the original shipping boxes or purchase new boxes.

Pictures may be required for some returns to ensure an item is not damaged prior to its return. Items returned are not considered undamaged until they are received by Best Choice Products and verified as such. All damages to items are the customer's responsibility until the item has been received by and acknowledge by Best Choice Products as undamaged.

© Best Choice Products, Inc. All rights reserved. Distributed by Best Choice Products, Inc. Newport Beach, CA 92660

WARNING

Manufacturer and seller expressly disclaim any and all liability for personal injury, property damage or loss, whether direct, indirect, or incidental, resulting from the incorrect attachment, improper use, inadequate maintenance, unapproved modification, or neglect of this product.