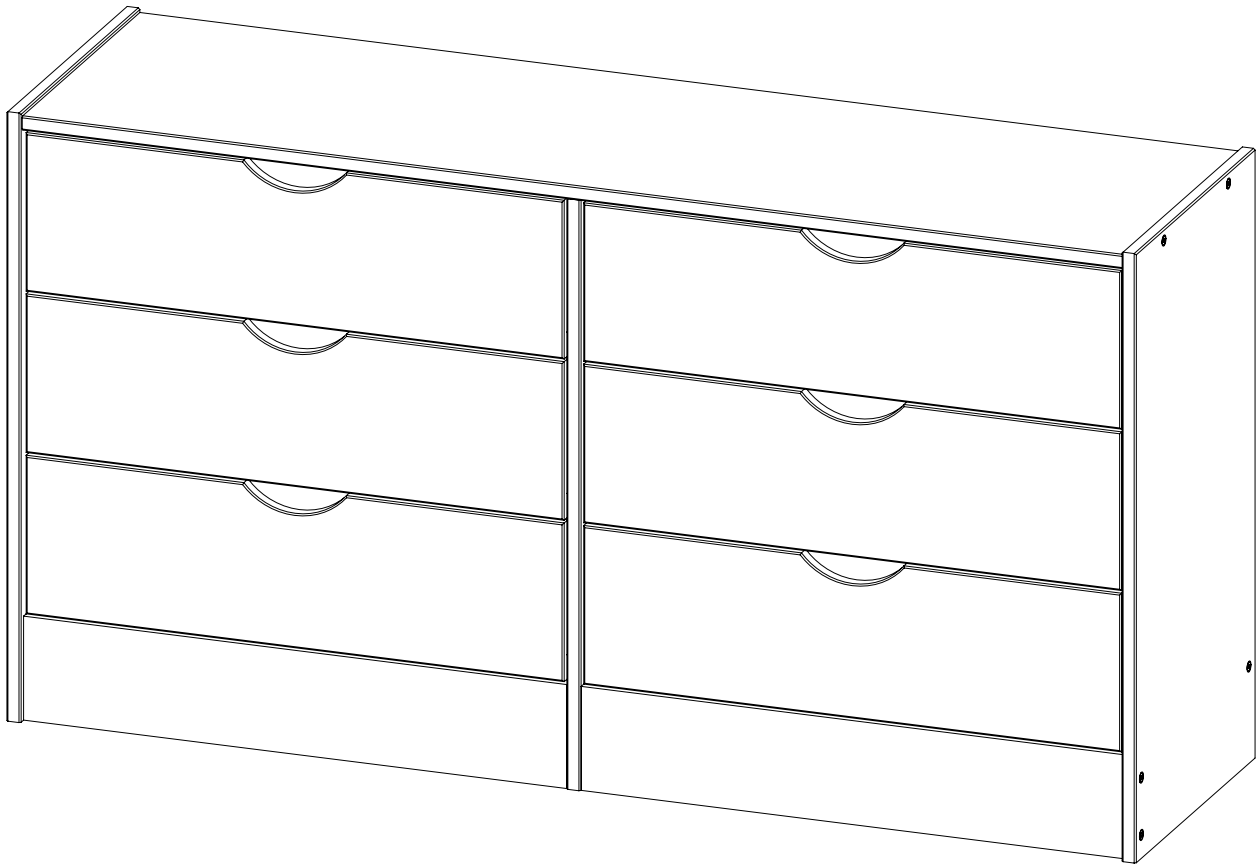


WALKER EDISON
TM

Declan 6-Drawer Solid Wood Dresser

SKU# WMDCL026D4



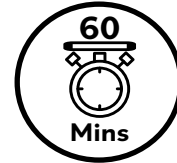
For Residential Use Only

Please visit our website for the most current instructions, assembly tips, report damage, or request parts. www.walker-edison.com

WE Time to get started

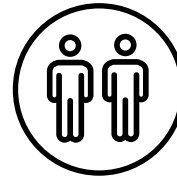
Set up a clean and soft workplace to get started and avoid damage during the assembly. It also helps to double-check you've got all the pieces and parts before diving in to assembly.

Estimated time for assembly



People recommended for assembly

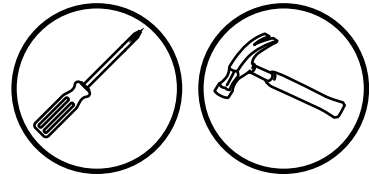
Make it a team effort! Grab a friend for quicker, easier assembly.



2 People Build

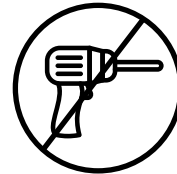
Tools Needed

Grab a Phillips head screwdriver to conquer this assembly. We will also need a hammer to help.



Use power tools with caution

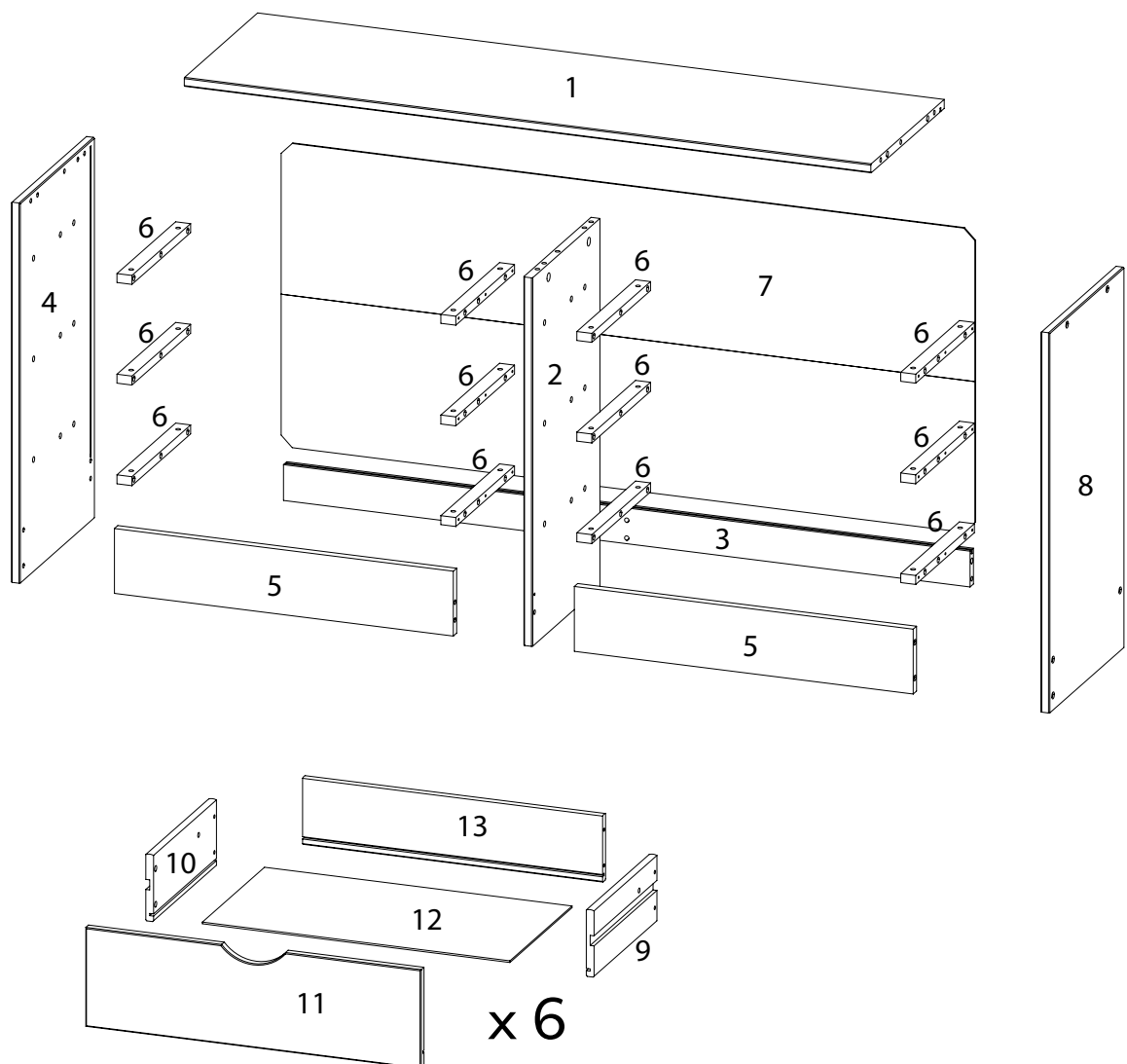
You can cause cracking or damage to the material and easily strip the hardware. If you choose to use a power tool, your product will no longer be covered under Walker Edison's warranty.



Scan to get assembly tips and help!

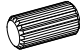
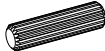
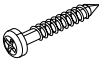

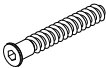



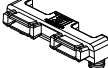


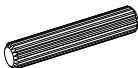


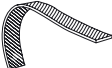
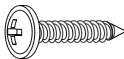



WE Parts List

Part Number	Description	Quantity
1	Top Panel	1
2	Middle Panel	1
3	Back Rail	1
4	Left Panel	1
5	Foot Rail	2
6	Wood Slider	12
7	Back Panel	1
8	Right Panel	1
9	Right Drawer Panel	6
10	Left Drawer Panel	6
11	Drawer Front	6
12	Drawer Bottom	6
13	Drawer Back	6





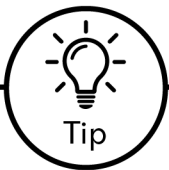
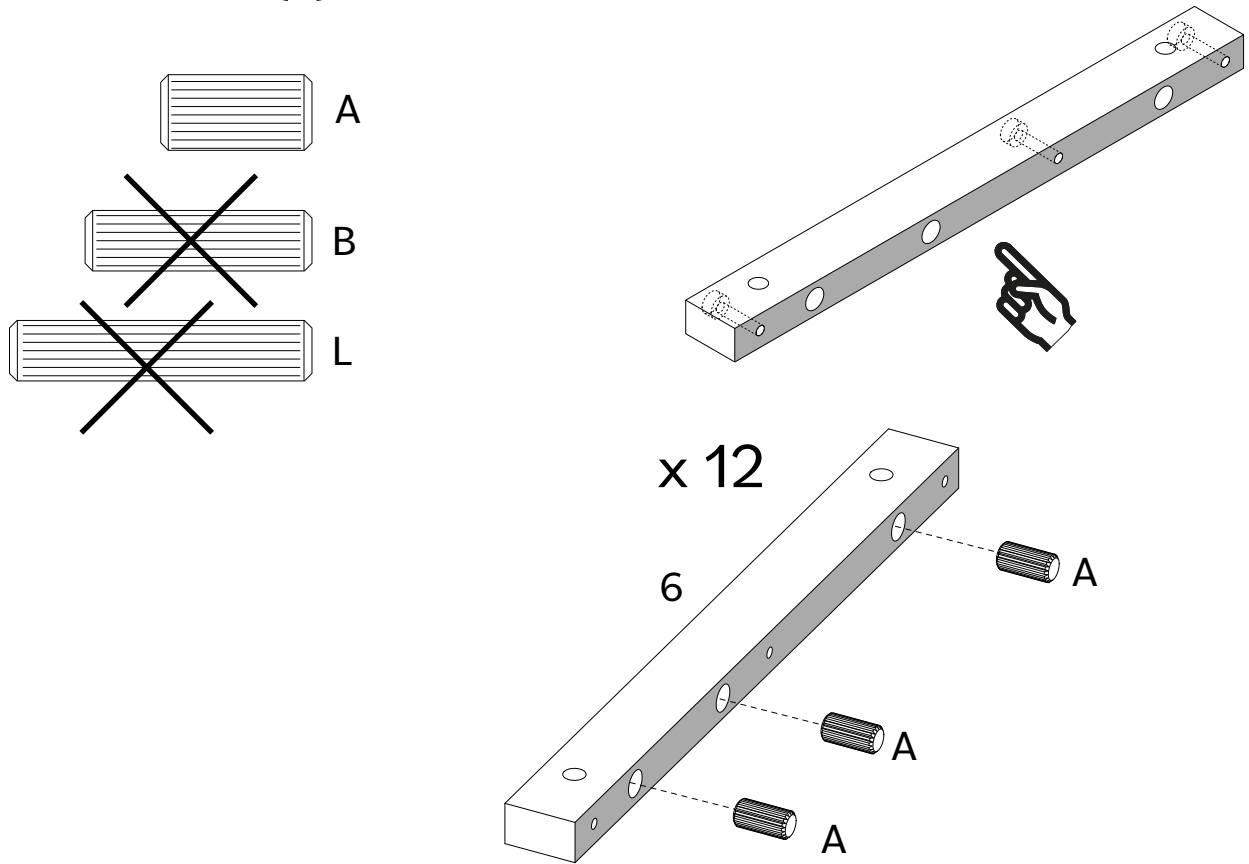
Hardware List

Part	Size	Name	Quantity
A	 10x20mm	Wooden dowel	36
B	 8x30mm	Wooden dowel	26
C	 4x25mm	Screw	36
D	 12mm	Plastic foot	6
E	 7x50mm	Bolt	11
F		Hex key	1
G	 14x14mm	Support	10
H	 3,5x16mm	Screw	10
I		Dovetail	12
J		Dovetail lock	24
K		Plastic screw	24
L	 8x40mm	Wooden dowel	12
M	 6x31mm	Cam bolt	4
N	 15x11mm	Cam lock	4
O		Wall anchor	1
P	 4x16mm	Screw	1
Q		Washer	2
R	 6x40mm	Plastic bush	1
S	 4x40mm	Screw	1

*The hardware quantities listed above are required for proper assembly.
Extra hardware pieces may be included.*

Step 1

Let's get started! Insert the (A) Wooden dowels into each Wood Slider (6).



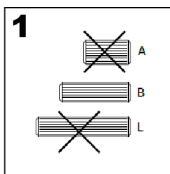
Tip

Wood Dowels

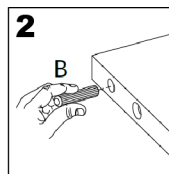
Dowels are essential in furniture assembly for creating strong, precise connections.

They ensure structural integrity, prevent shifting, and simplify alignment, resulting in sturdier, longer-lasting furniture.

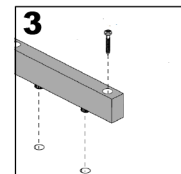
Follow these steps:



1: Select appropriate size dowel compared to size of drill hole and alignment in instructions. If unsure of placement place dowel next to drill hole to compare size and ensure correct placement.



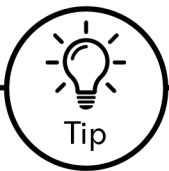
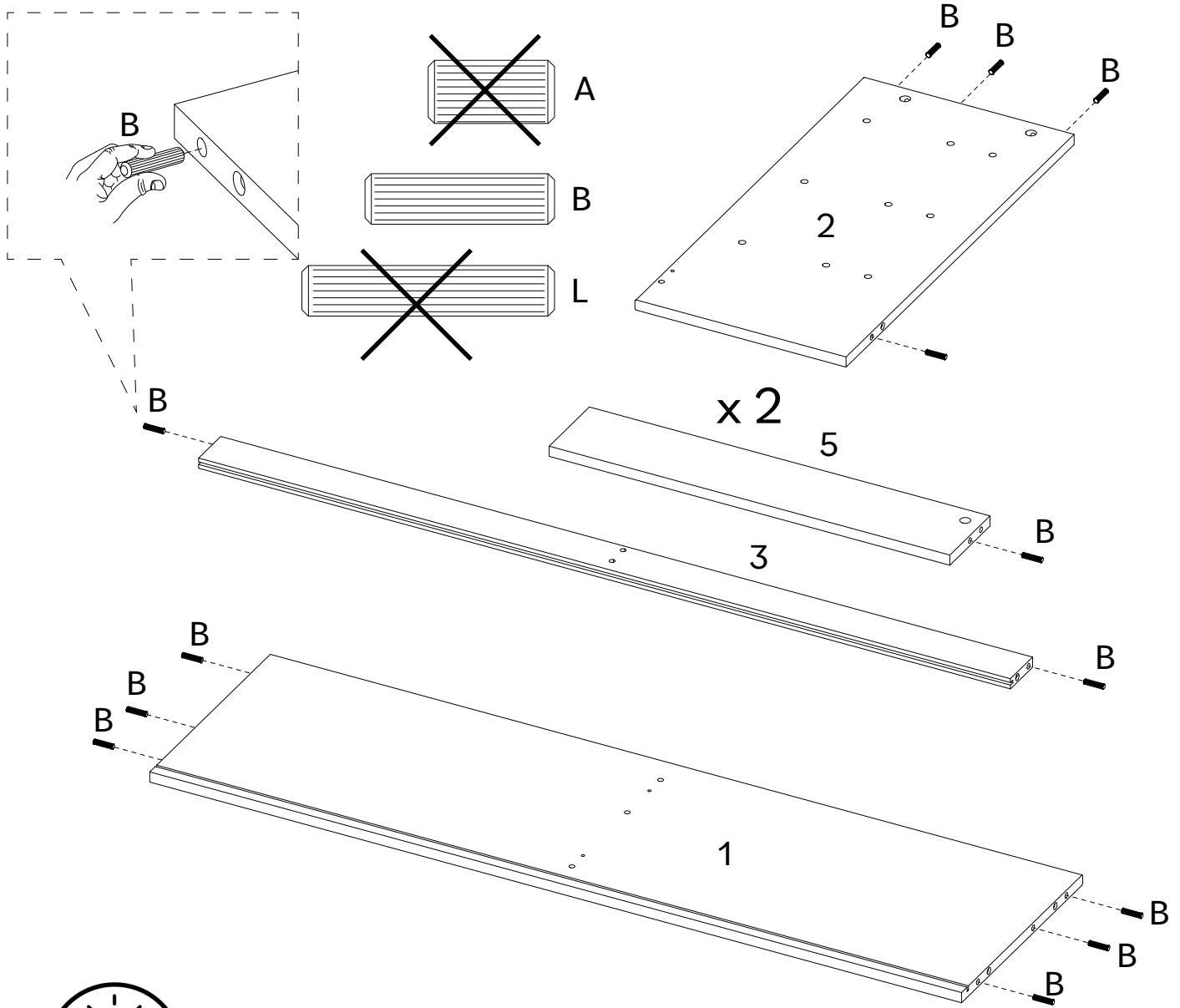
2: Insert into drill hole and press firmly to ensure placement is set.



3: Align the dowel with corresponding piece and press together until secure.

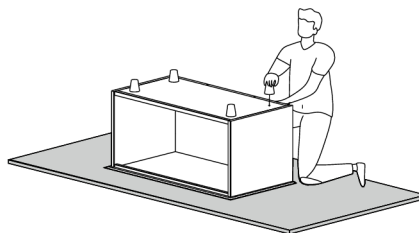
Step 2

Insert the (B) Wooden dowels into the Top Panel (1), Middle Panel (2), Foot Rails (5), and Back Rail (3).



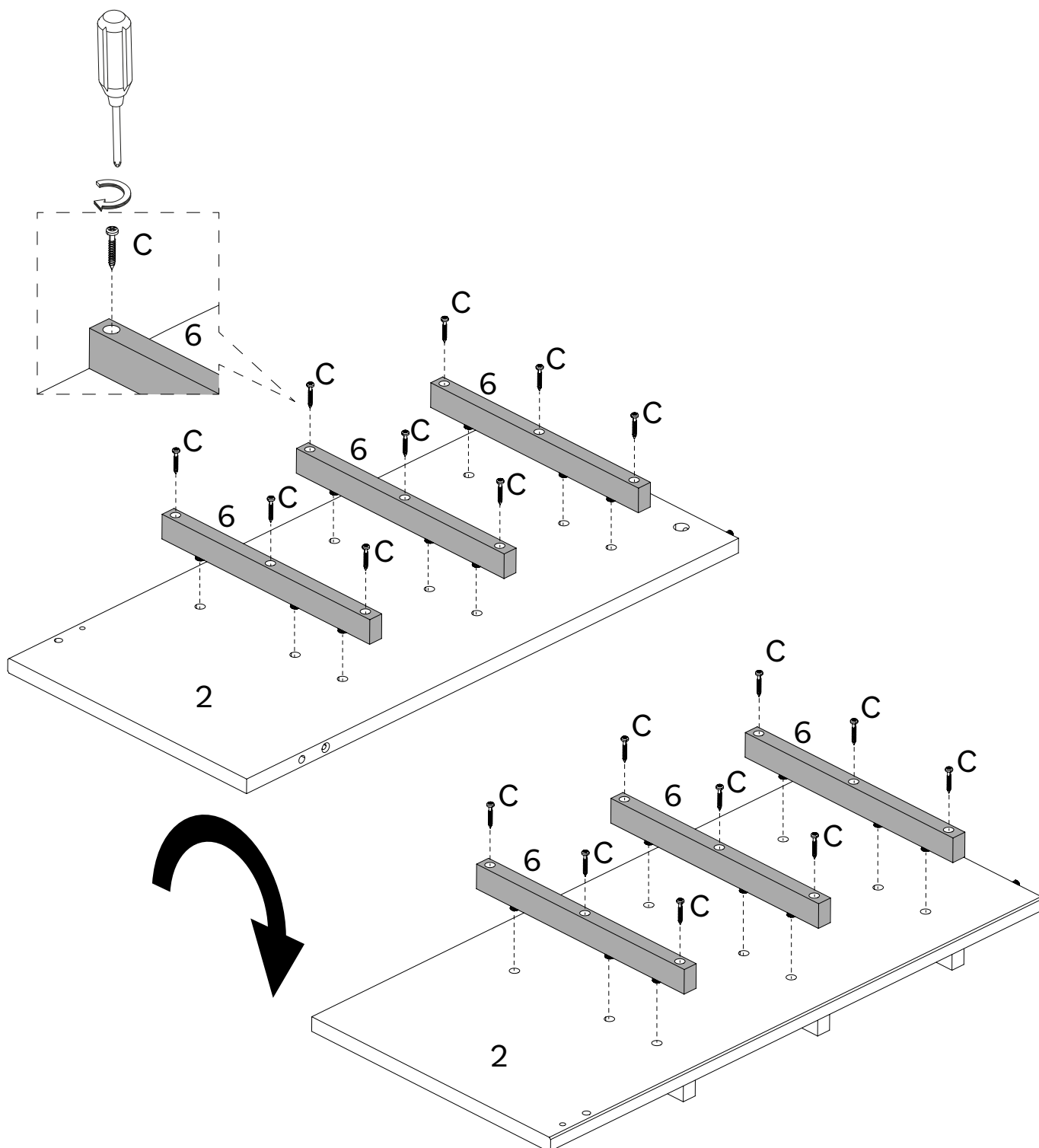
Tip

To keep your product looking its best and scratch-free, try assembling it on a soft surface like carpet or a blanket. This helps prevent any accidental scratches and keeps your furniture in top shape!



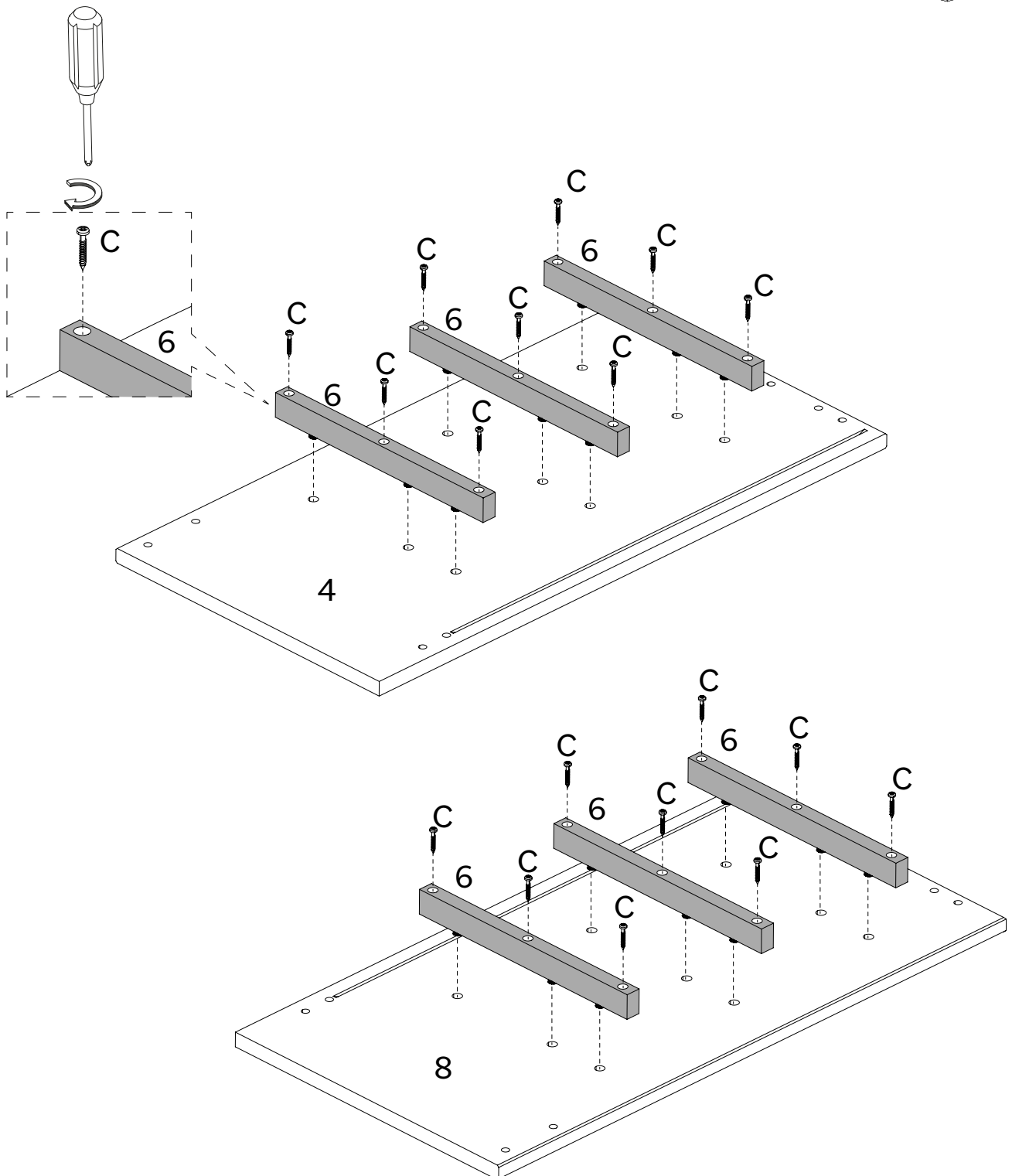
Step 3

Next, attach the Wood Sliders (6) to both sides of the Middle Panel (2) using the (C) Screws. Tighten with a screwdriver.



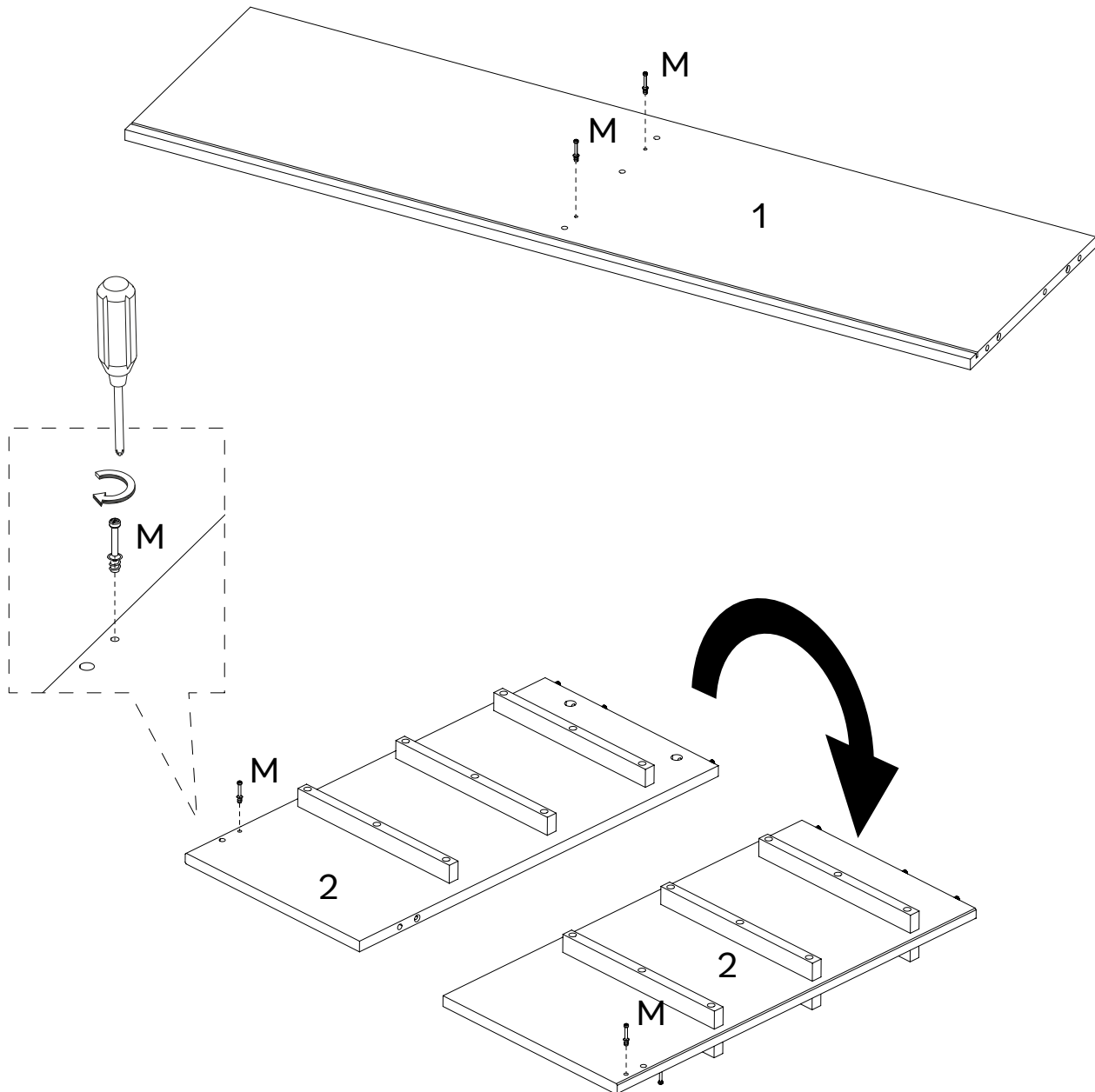
Step 4

Attach Wood Sliders (6) to the Left Panel (4) and Right Panel (8) using (C) Screws.



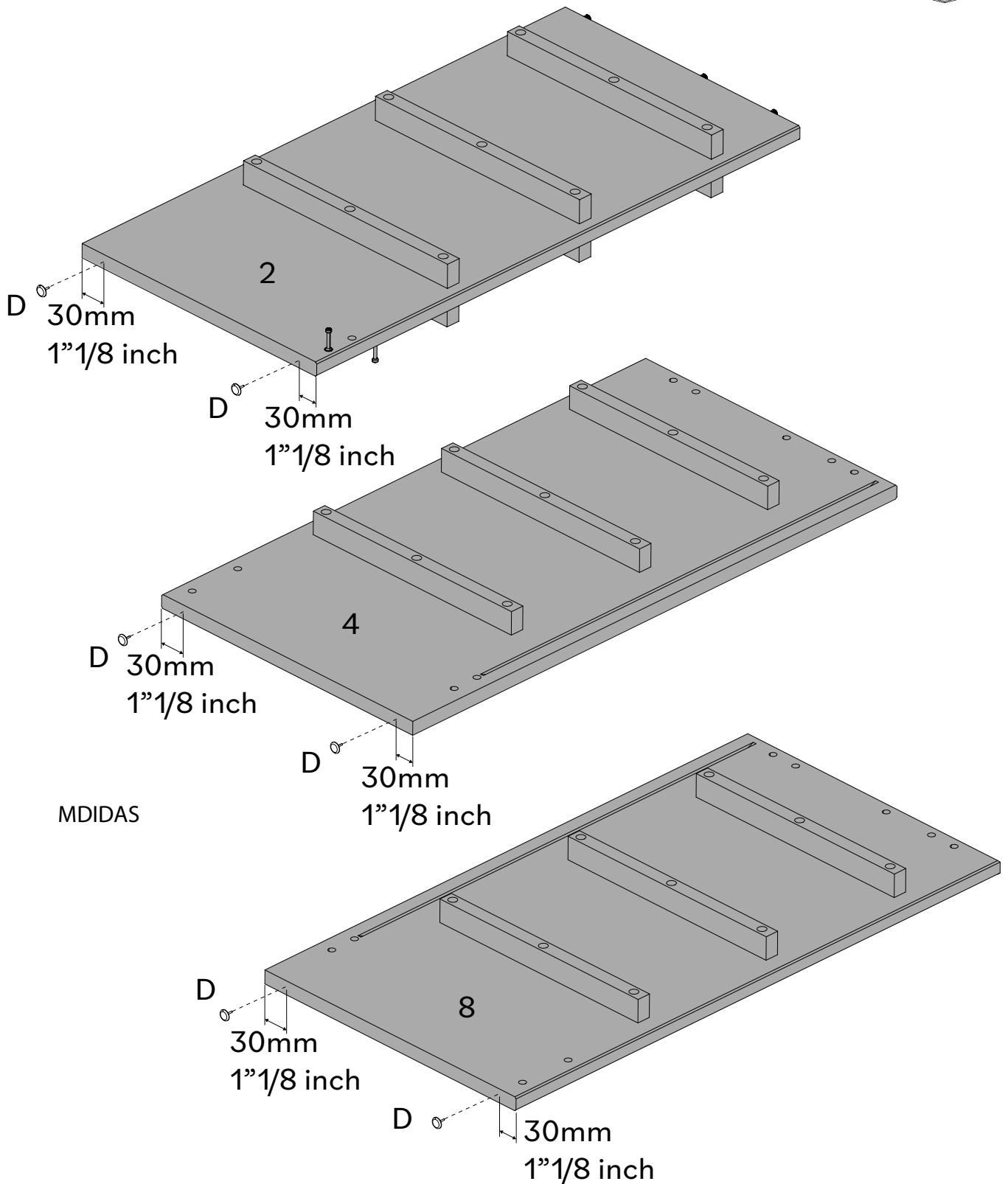
Step 5

Using a screwdriver, screw all the Cam bolts (M) into the Top Panel (1) and on both sides of the Middle Panel (2).



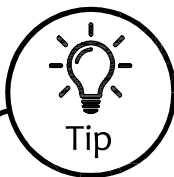
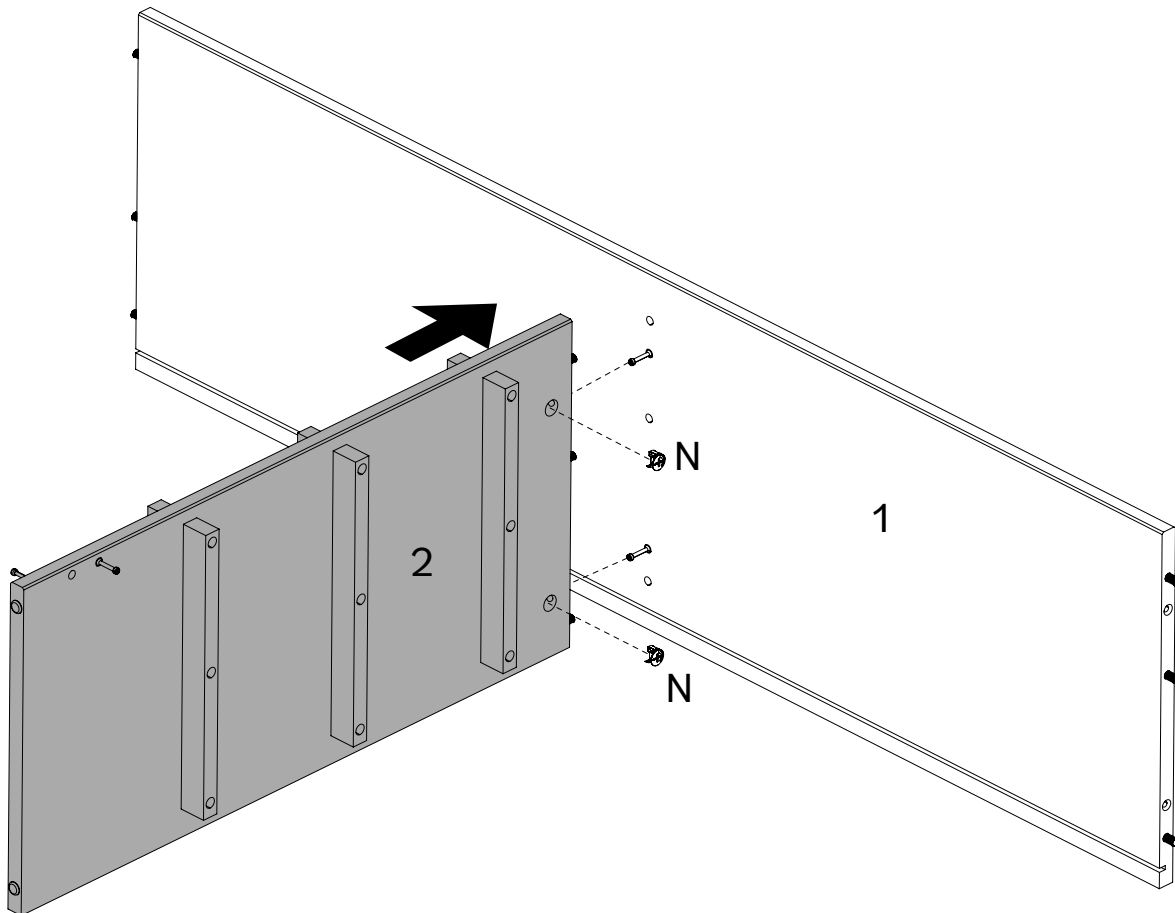
Step 6

Secure the Plastic feet (D) to the Middle Panel (2), Left Panel (4), and Right Panel (8). Use a hammer if necessary.



Step 7

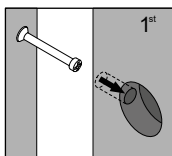
Now, attach the Middle Panel (2) to the Top Panel (1). Insert the Cam locks (N) and tighten with a screwdriver.



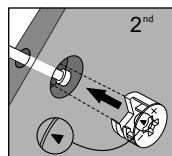
Tip

Cam Locks

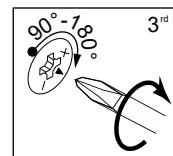
Cam Locks help securely join two pieces together.
Follow these easy steps.



1: Insert Cam Bolt into bolt holes on the flat side. Don't over tighten!



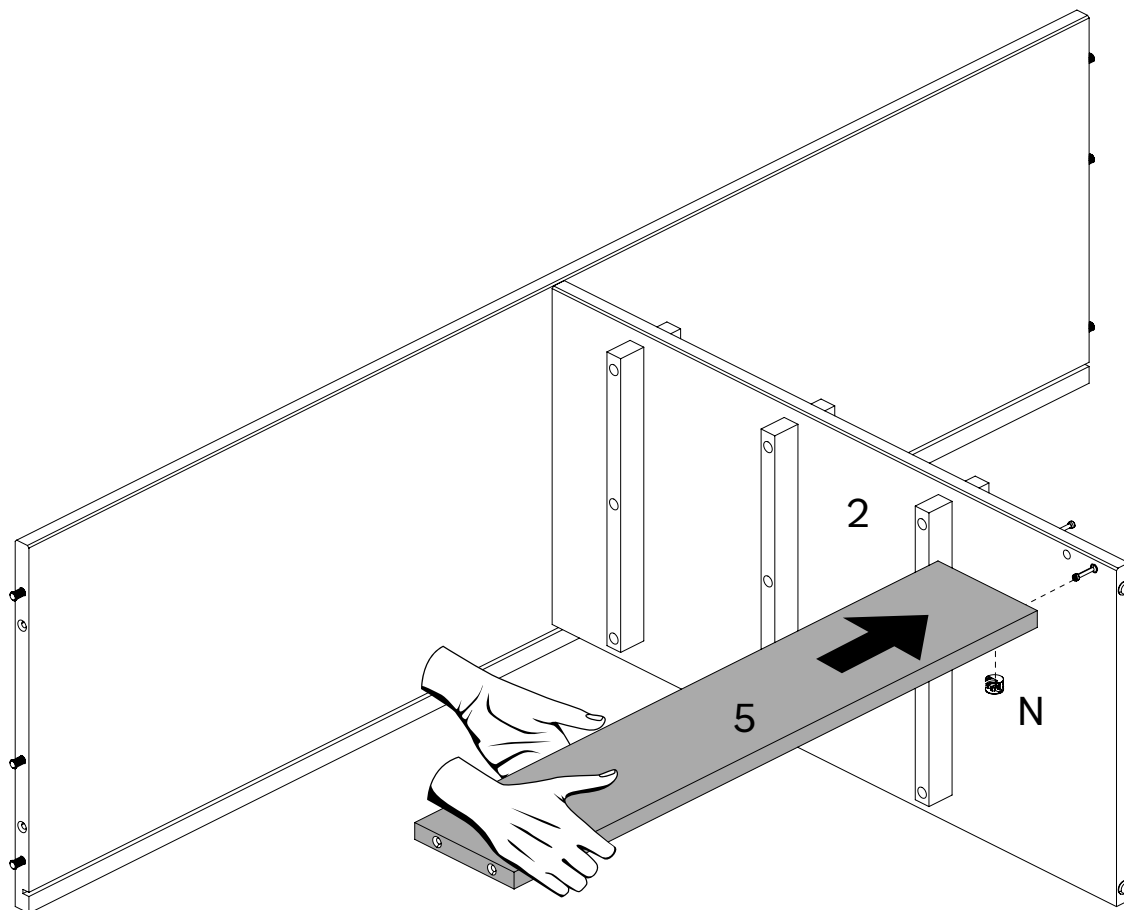
2: Fit the proper holes on the edge of the other part over the Cam Bolts. You should be able to see the cam bolts through the larger hole on the side.



3: On the back of the Cam Lock will be a "C" shape. Insert the Cam Lock so the opening of the "C" fits over the Cam Bolt. Tighten with the screwdriver.

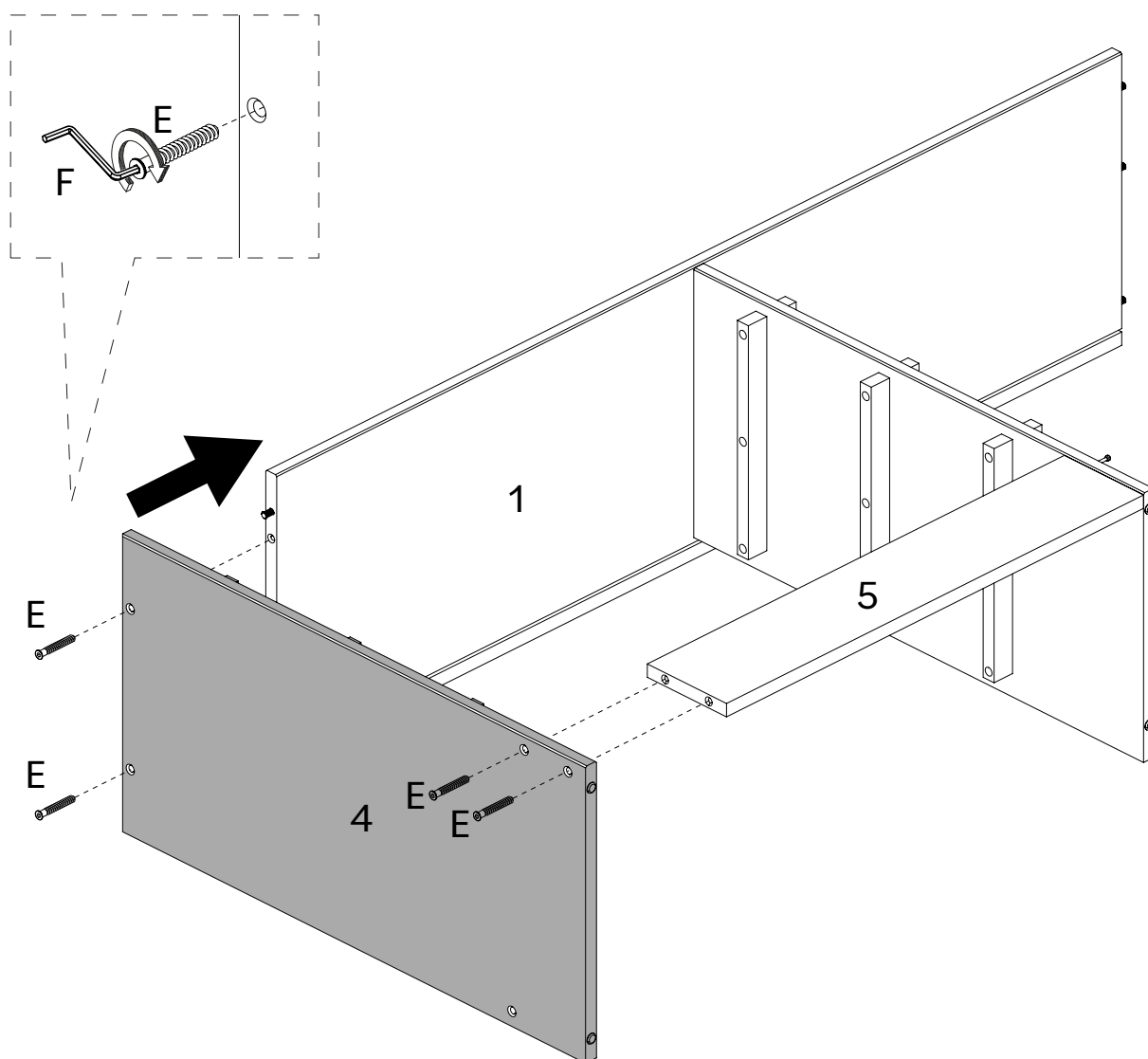
Step 8

Attach the Foot Rail (5) to the Middle Panel (2). Insert the Cam locks (N) and tighten with a screwdriver.



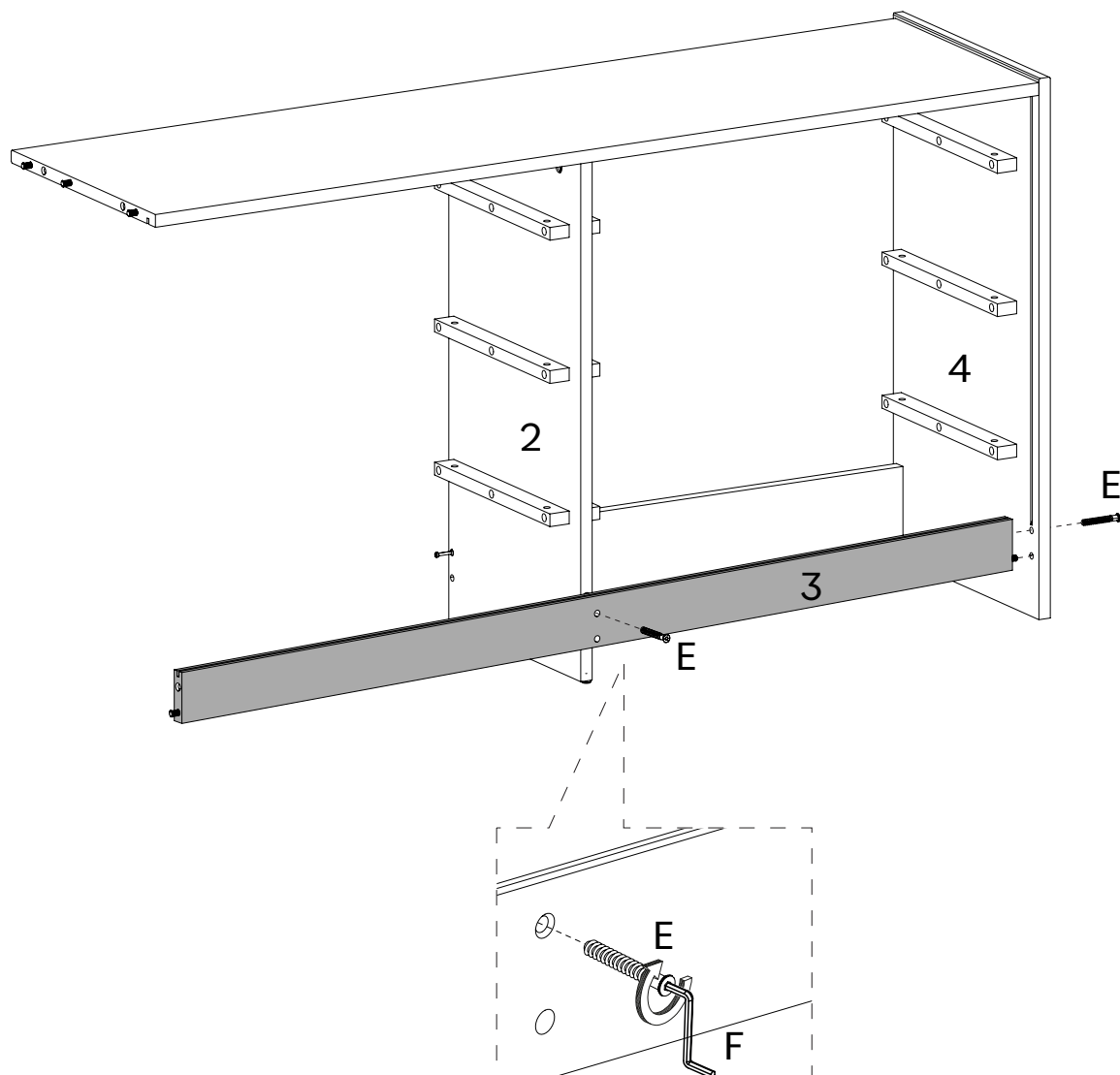
Step 9

Join the Left Panel (4) to the Top Panel (1) and the Foot Rail (5). Then, secure that join using (E) Bolts. Tighten with the Hex key (F)!



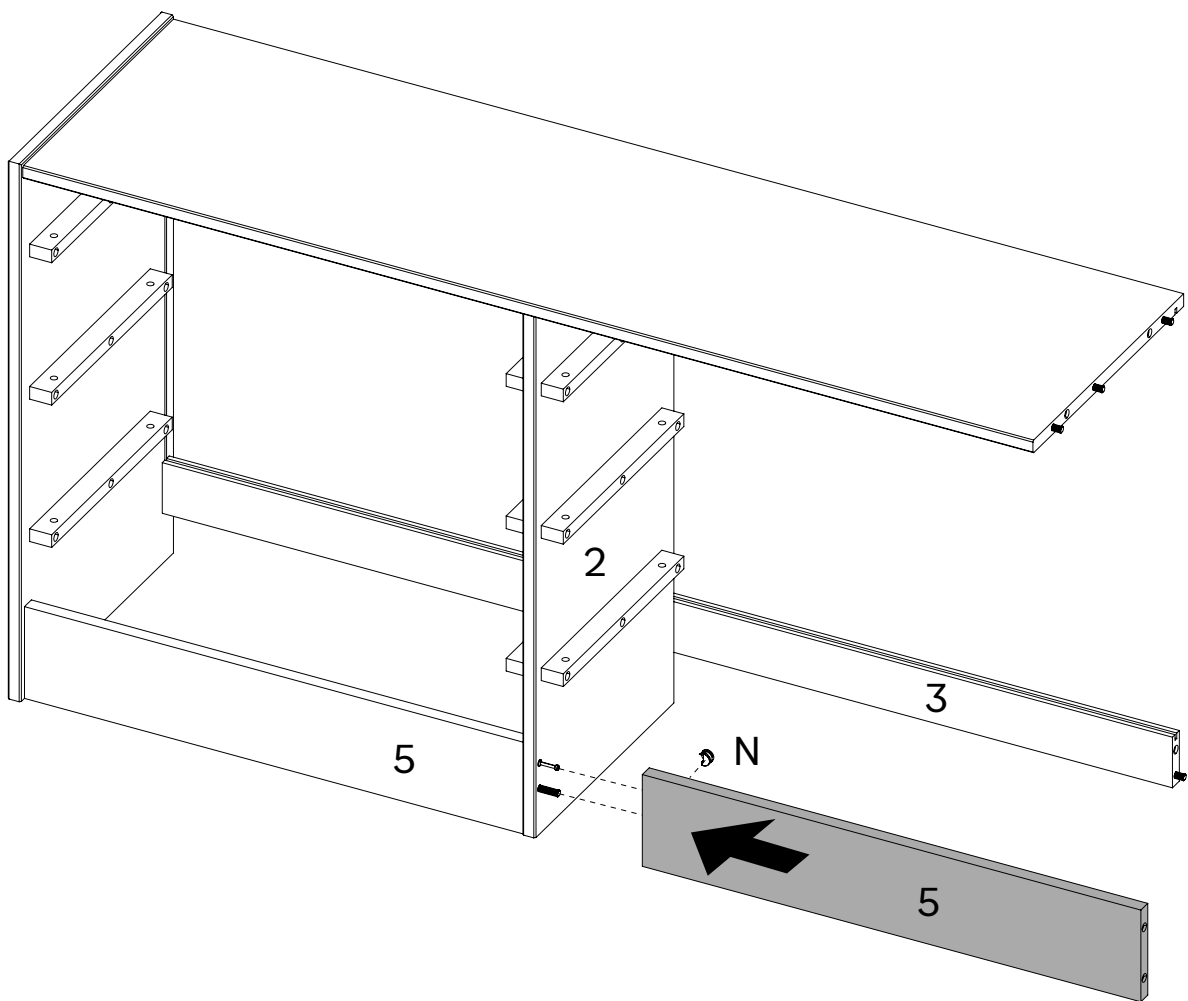
Step 10

Make sure your unit is right-side up (Top Panel (1) on top). Attach the Back Rail (3) to the Left Panel (4) and Middle Panel (2). Secure with (E) Bolts and the Hex Key (F)!



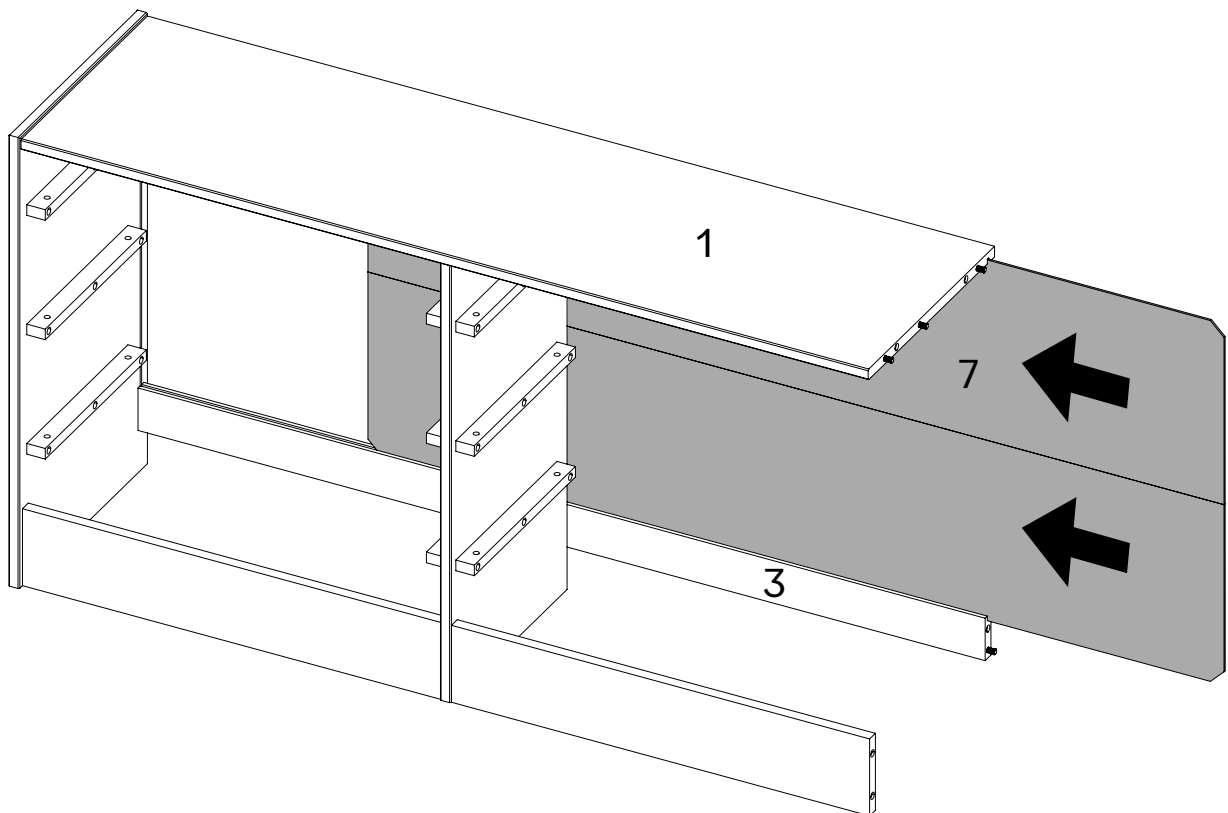
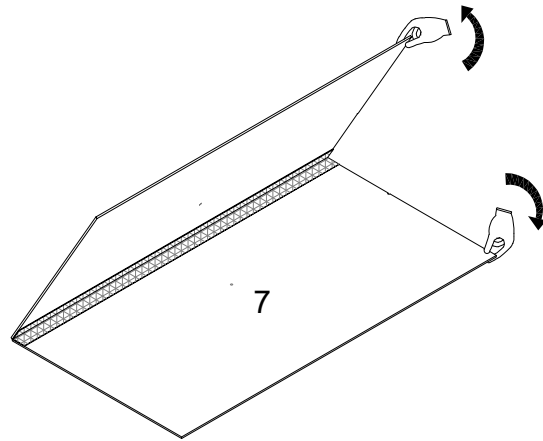
Step 11

Next, attach the other Foot Rail (5) to the Middle Panel (2). Insert Cam locks (N) and tighten with a screwdriver.



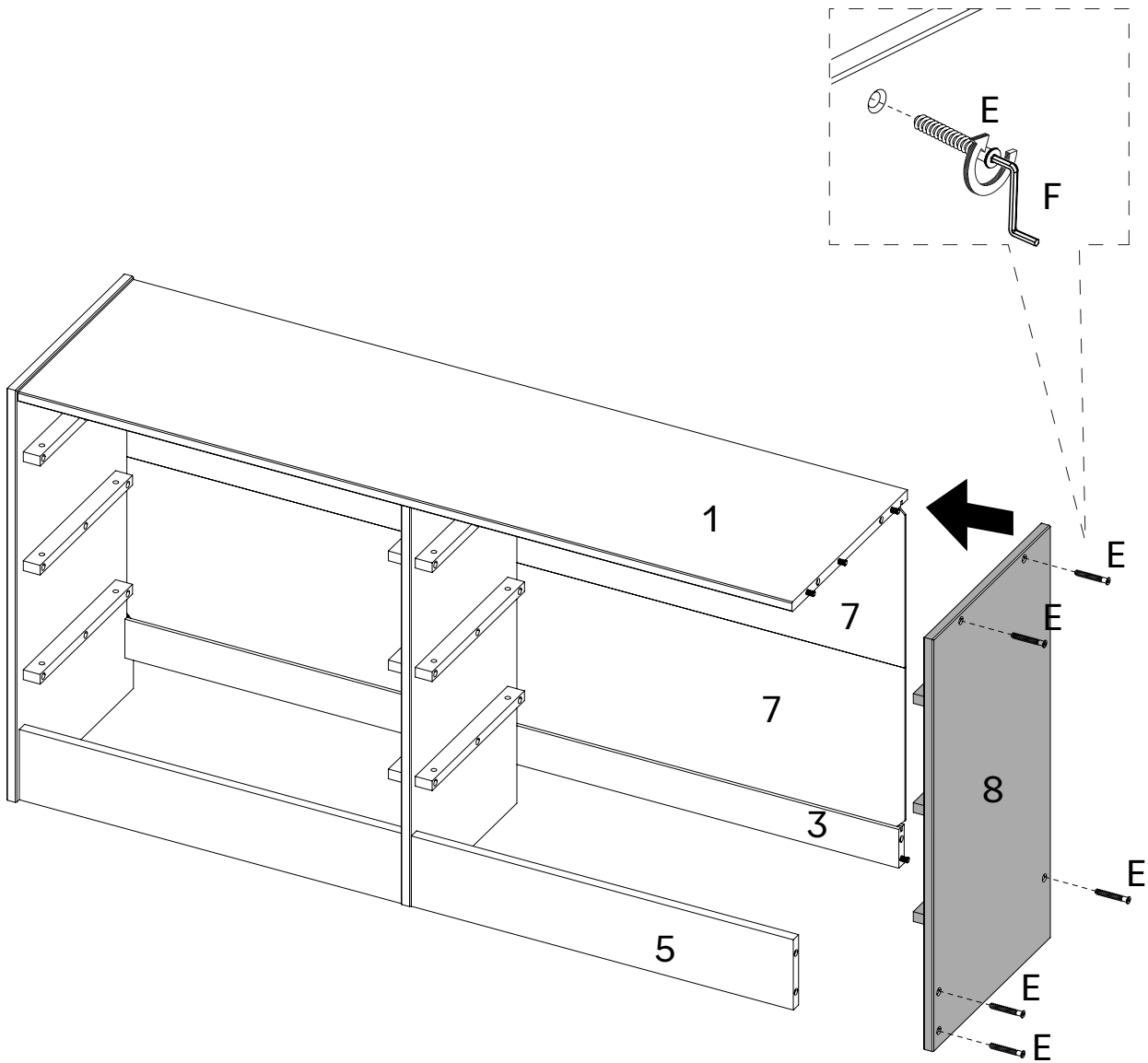
Step 12

Unfold the Back Panel (7) and slide it in place using the grooves of the Top Panel (1) and Back Rail (3) to guide it.



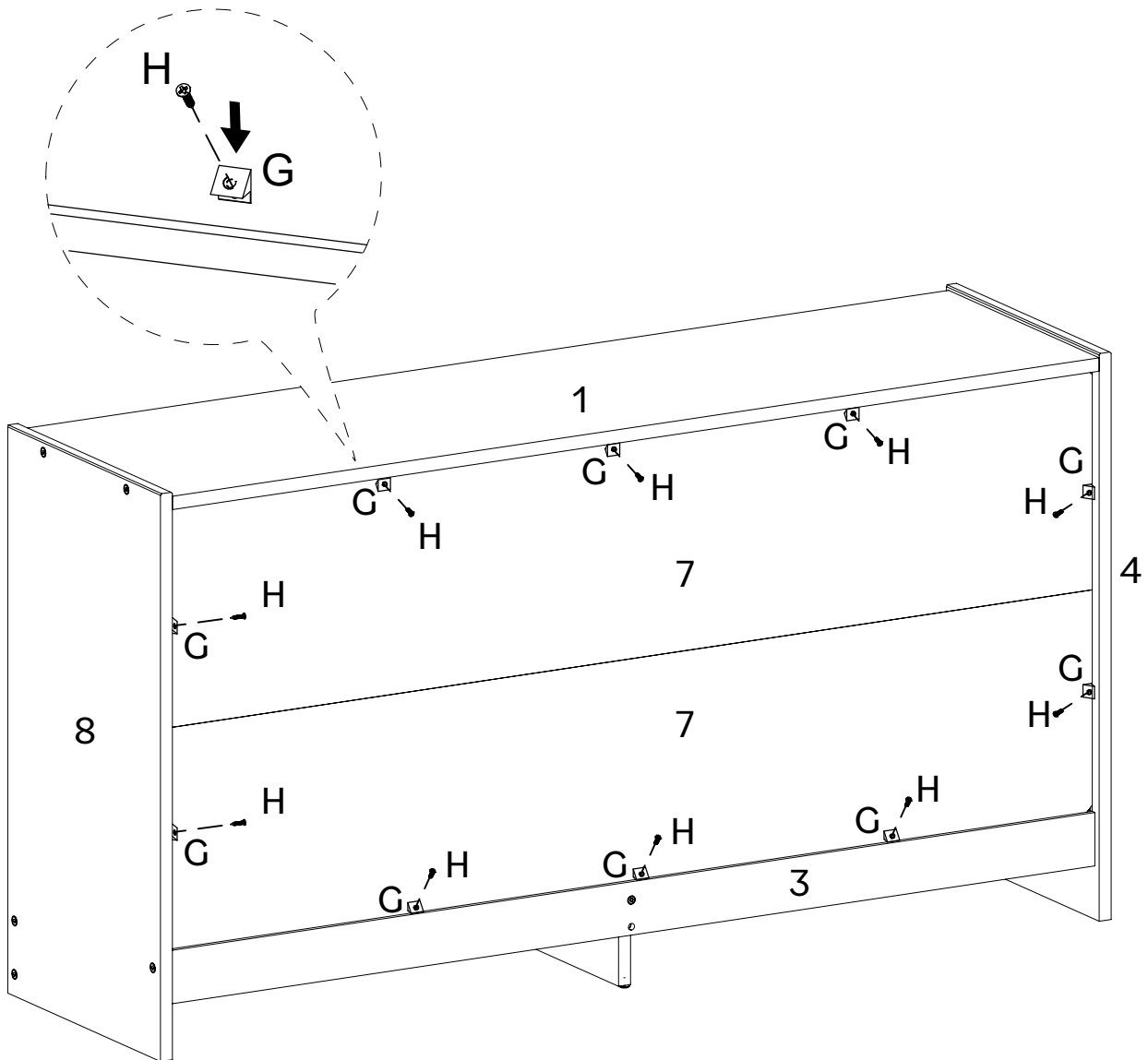
Step 13

Join the Right Panel (8) with the Top Panel (1), Foot Rail (5), Back Panel (7), and Back Rail (3).



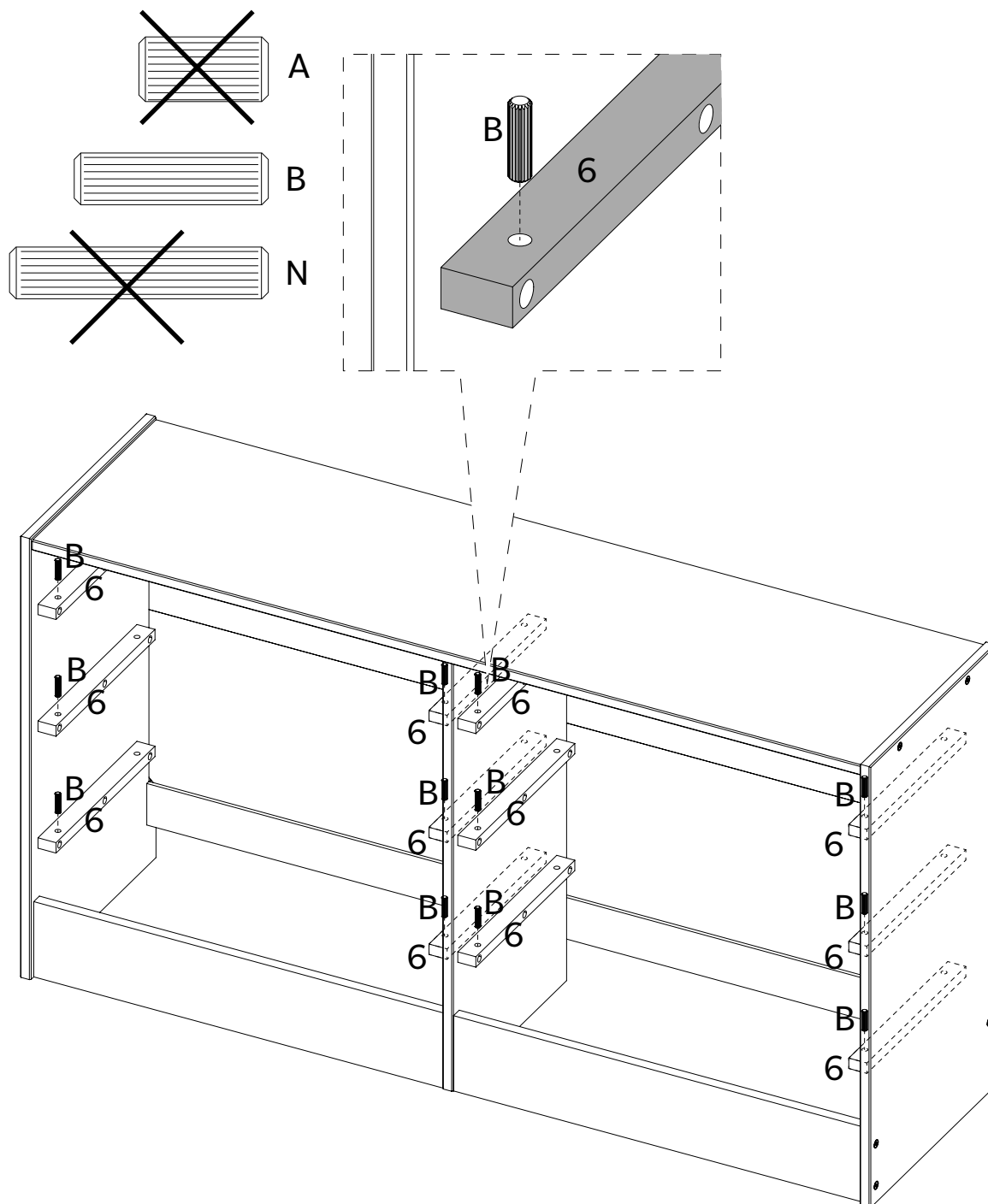
Step 14

Fit the Supports (G) into the grooves between the Top Panel (1), Left Panel (4), Back Rail (3), Right Panel (8), and the Back Panel (7). Secure the Supports (G) with (H) Screws.



Step 15

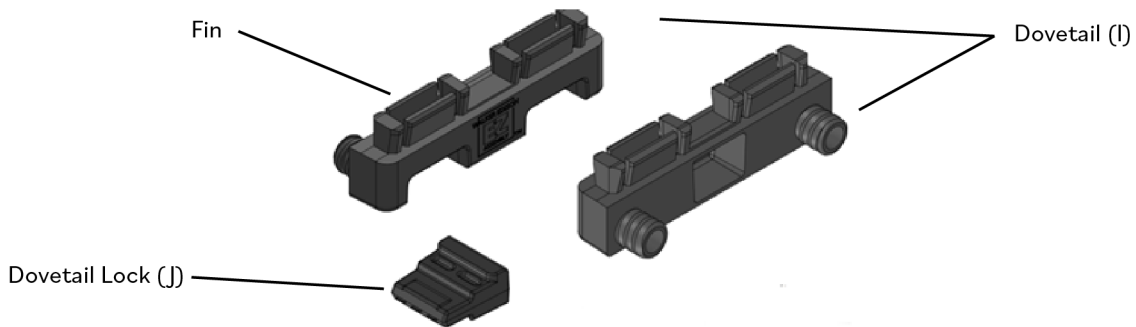
Insert (B) Wooden dowels into the front hole in the Wood sliders (6). This is to keep the drawer from falling out.



Introducing The Quick Assembly Drawer System

Say Goodbye to Assembly Hassle!

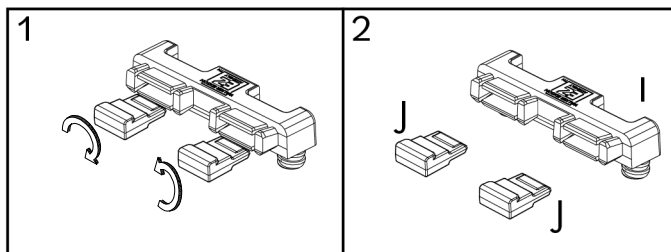
We understand that assembling drawers can be the most time-consuming and tedious part of putting together your new furniture. That's why we've developed the Quick Assembly Drawer System - to make the process easy!



Why You'll Love Our Quick Assembly Drawer System:

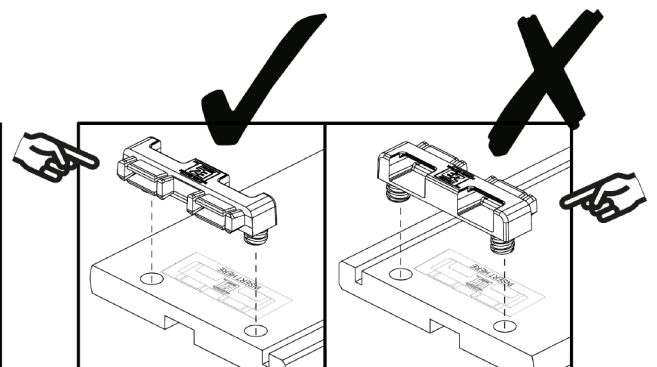
- **Quick & Easy:** Our new drawer hardware significantly reduces your assembly time. Get it done in no time!
- **Minimal Effort Required:** Designed to be super simple, you'll need little to no tools to get the job done.
- **Built to Last:** Strong and sturdy, our system ensures that your drawers stay solid and reliable.

Let's set the stage to start assembly:



Step 1: Get Ready -
Get started by separating the pre-assembled Dovetail (I) and Locks (J).

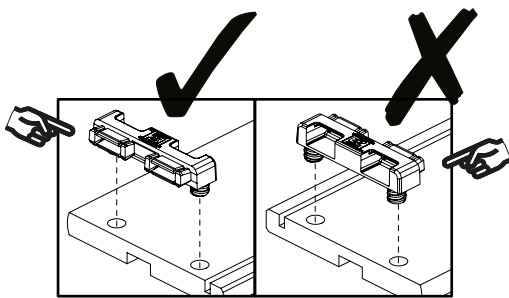
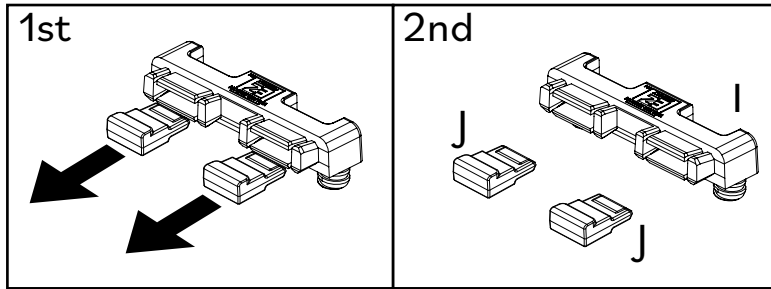
Step 2: Align -
Match Dovetail (I) with your drawer front with dovetail fins are facing outward, using the sticker to align. Set triangle Locks (J) outward and press in.



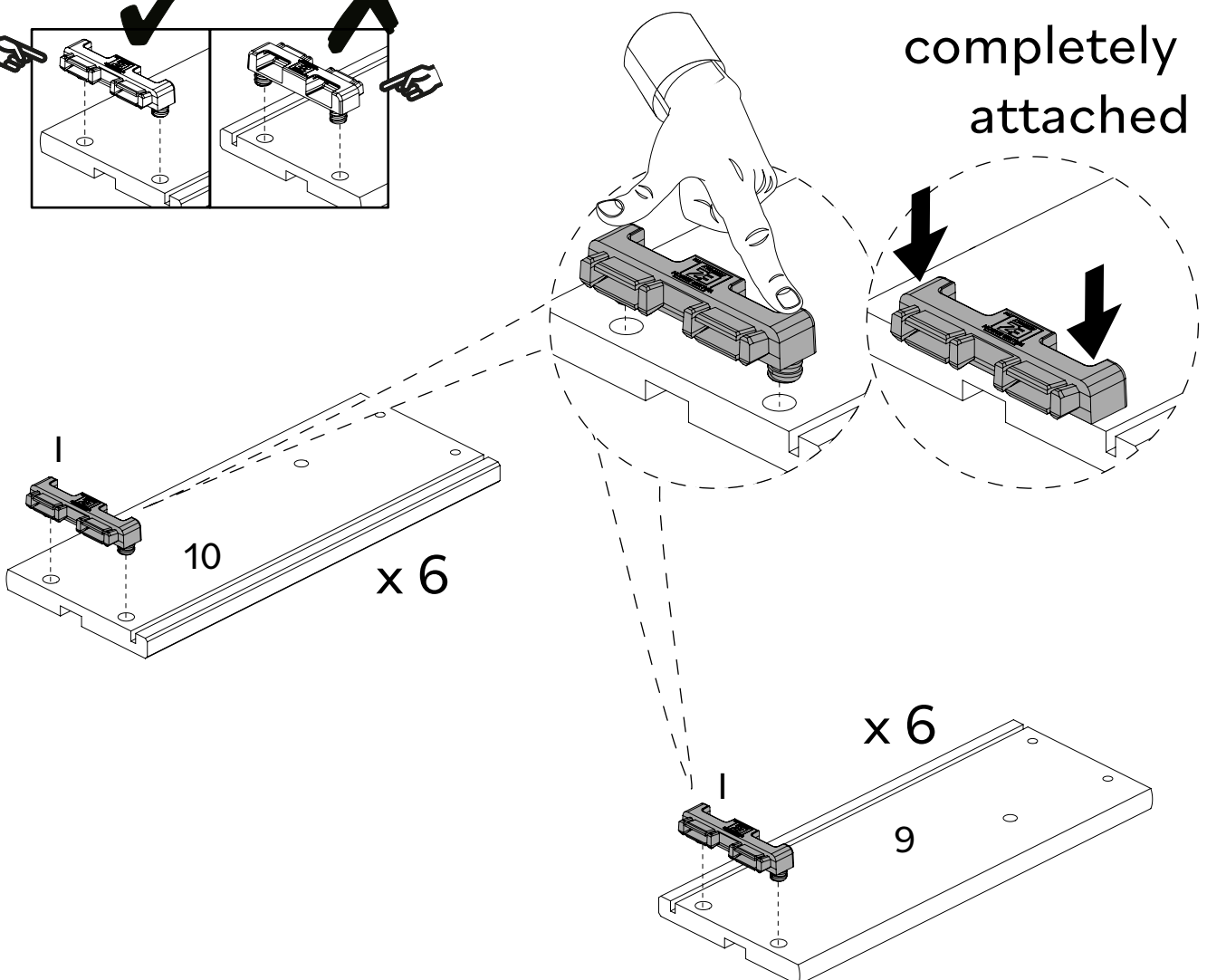
TIP: We've made it easy with a illustration on the drawer fronts to show the correct direction for the Dovetail.

Step 16

Prepare the Dovetails (I) by removing the Dovetail locks (J) from the Dovetails (I). Affix the Dovetails (I) to the Right Drawer Panels (9) and Left Drawer Panels (10). Press the Dovetails (I) down until they are completely attached. Use a hammer if necessary.

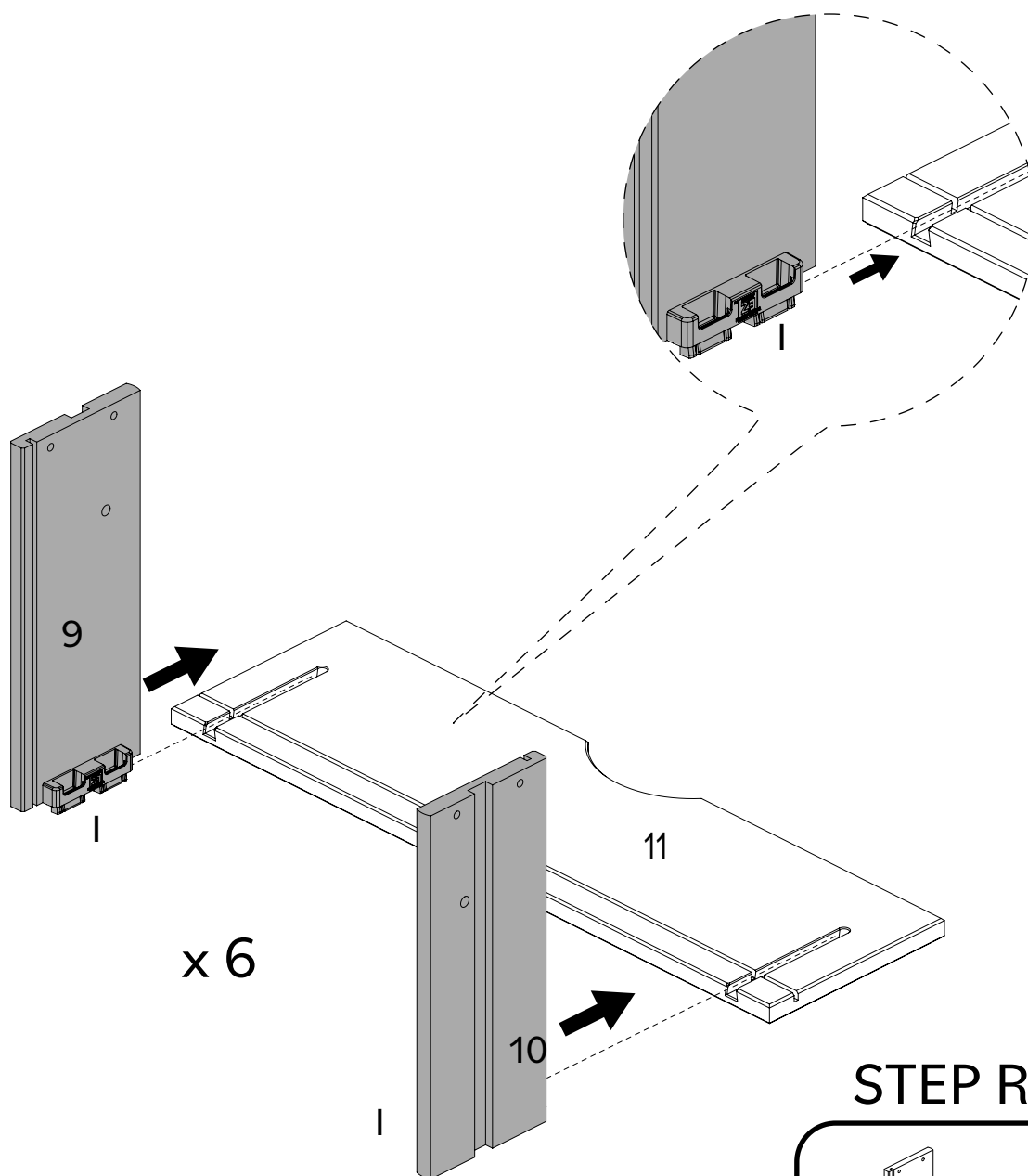
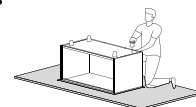


Press the piece until it is completely attached

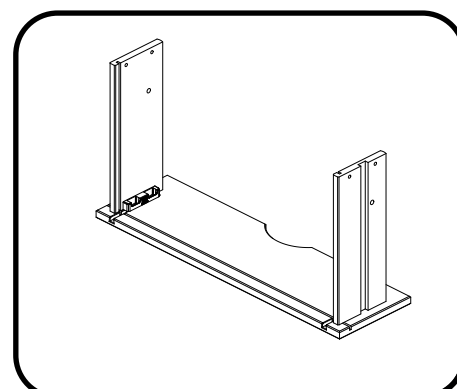


Step 17

You're almost done! Slide the Dovetail (I) on the Right Drawer Panel (9) and the Left Drawer Panel (10) into the grooves on the Drawer Front (11). Repeat this for all drawers.

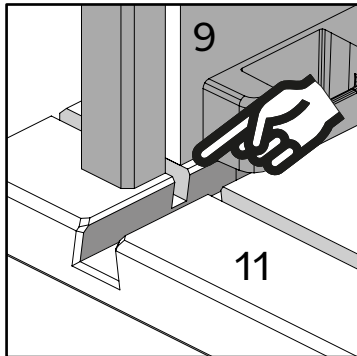


STEP READY

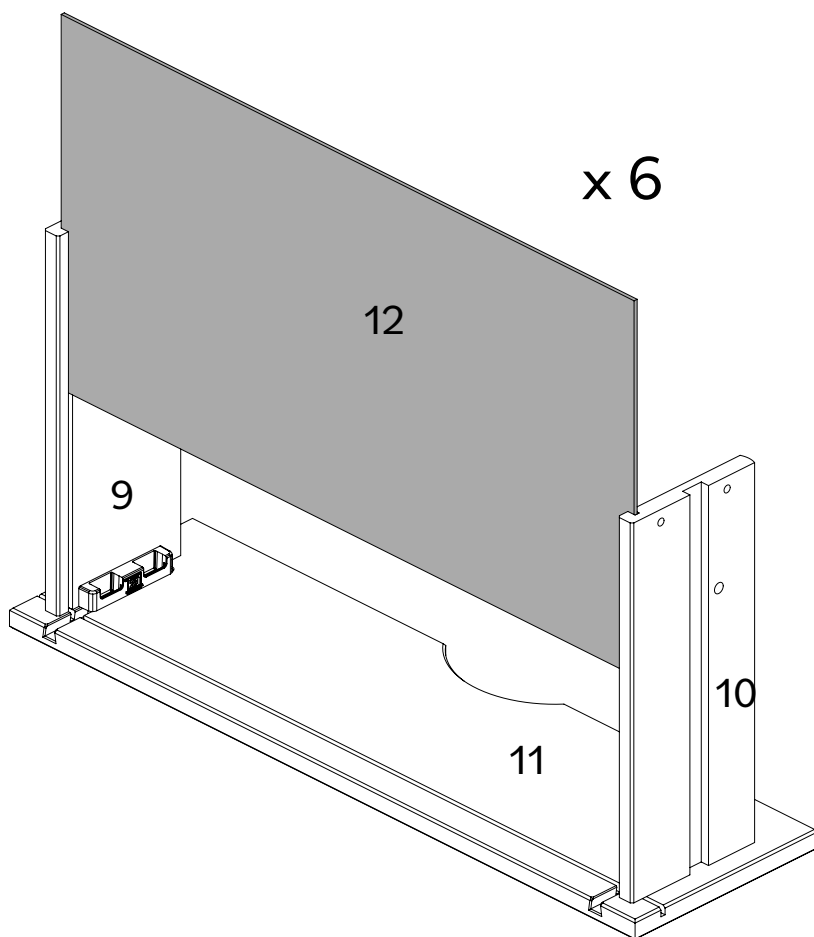


Step 18

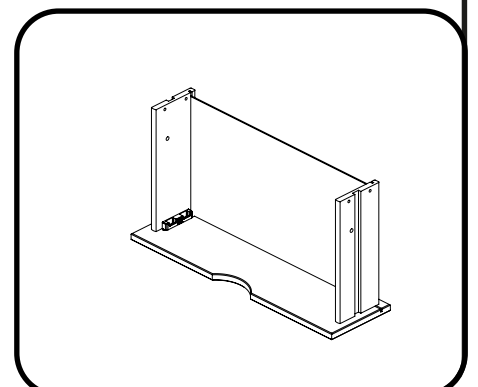
Slide the Drawer Bottoms (12) into the grooves on the drawer sides and fronts.



Align the grooves on the Drawer Sides and Drawer Front to receive the Drawer Bottom

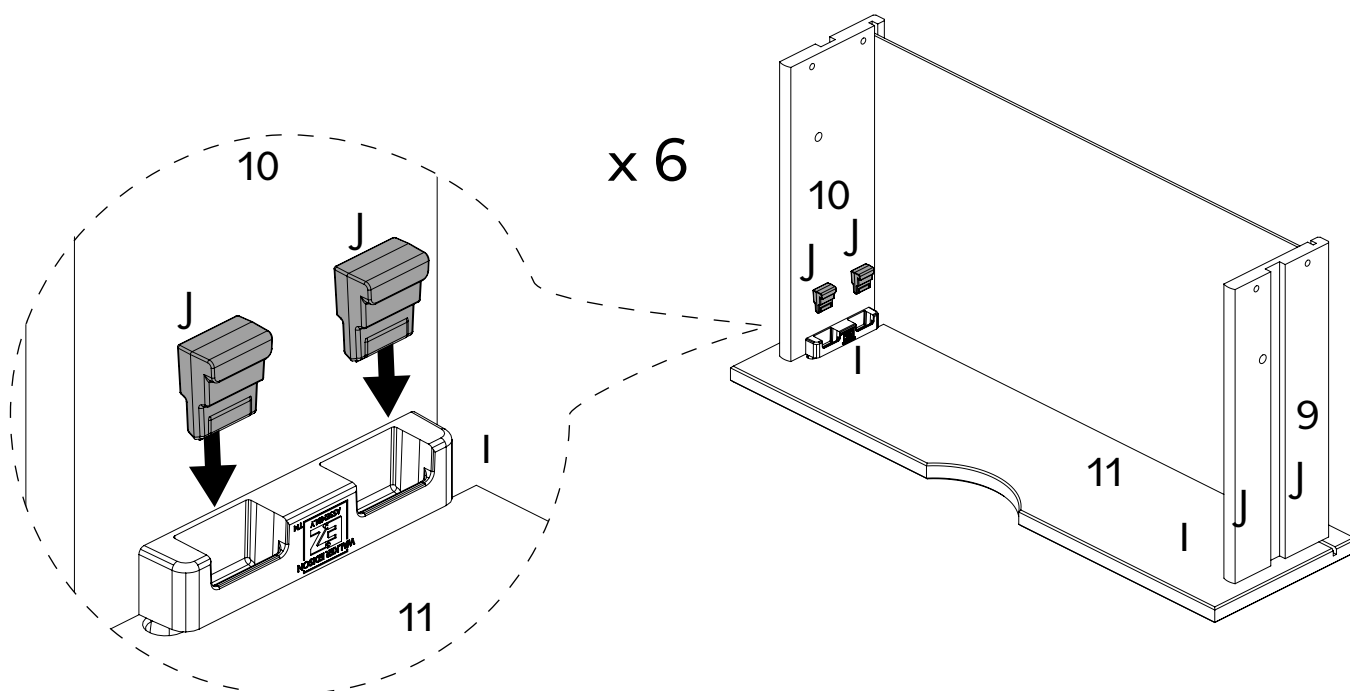
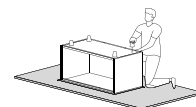


STEP READY

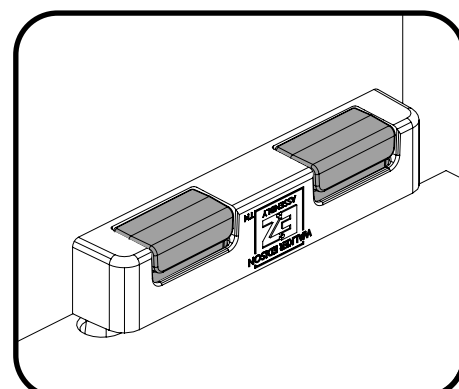


Step 19

To secure the Drawer sides, insert the Dovetail locks (J) into the Dovetails (I). Use a hammer if necessary.

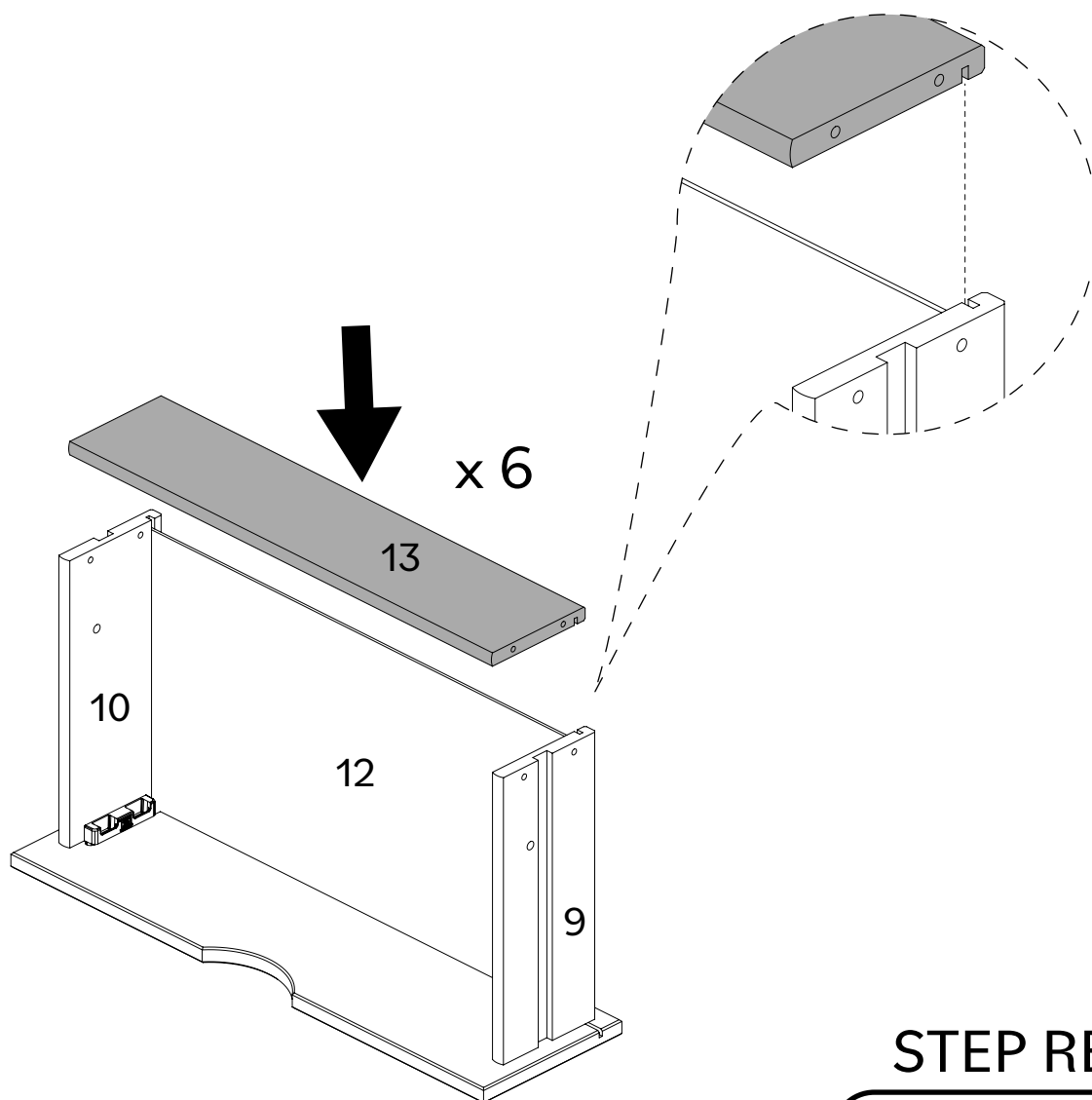
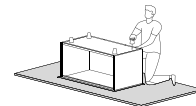


STEP READY

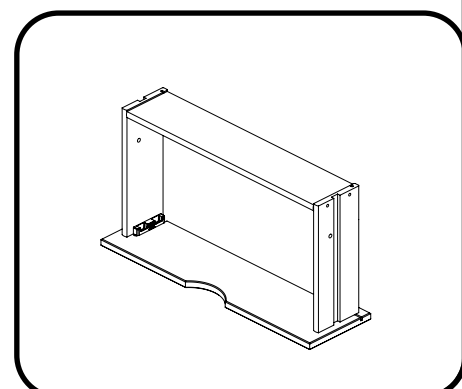


Step 20

Attach the Drawer Backs (13) to each drawer, ensuring that the groove on the Drawer Backs aligns with the Drawer Bottom (12).

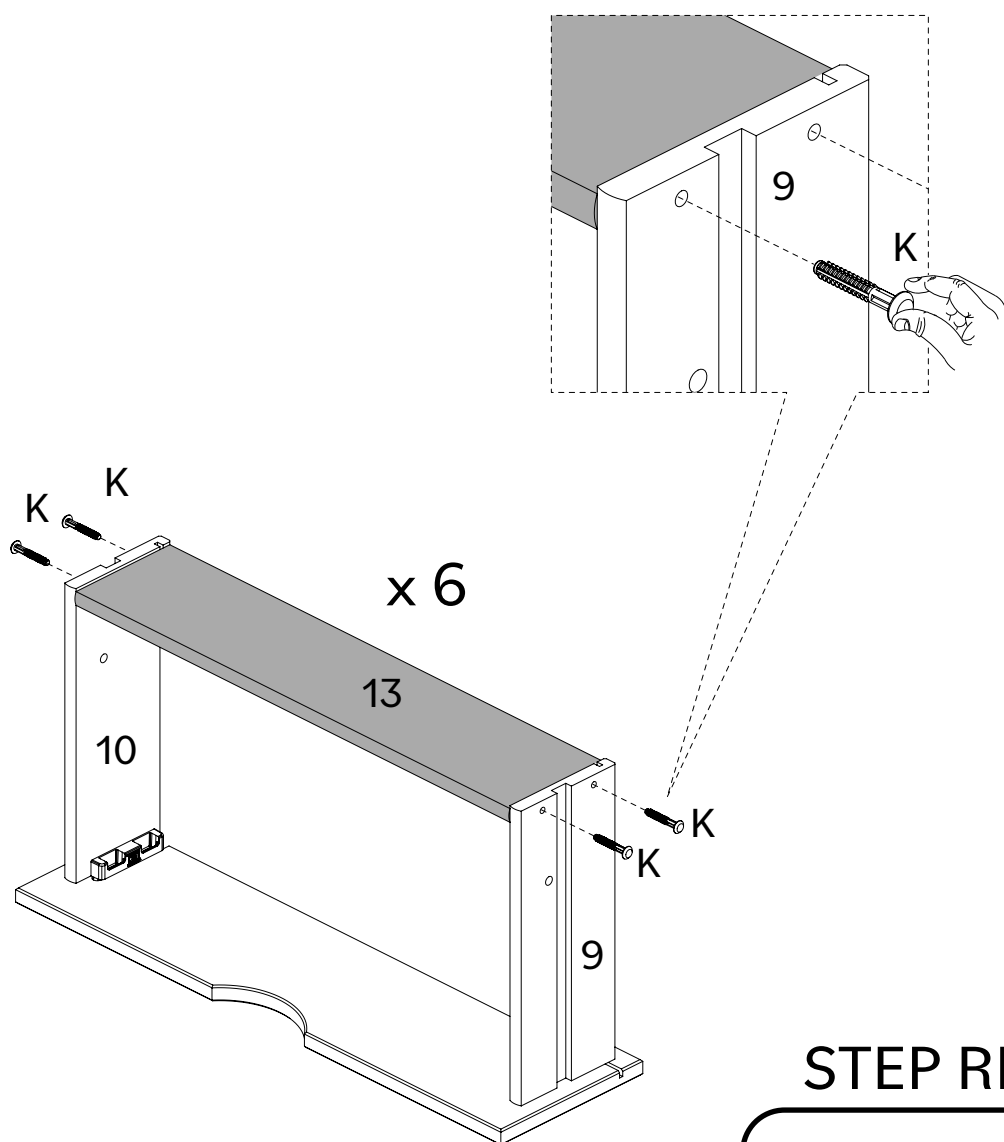
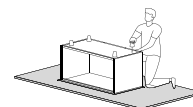


STEP READY

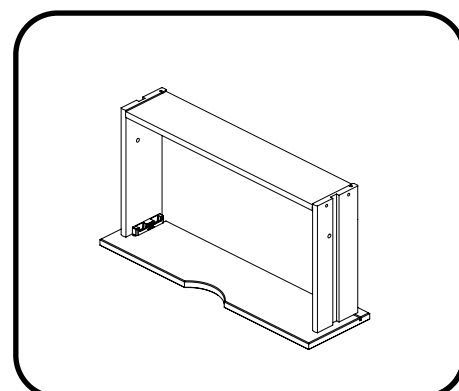


Step 21

Secure the Drawer Backs (13) by inserting the Plastic screws (K). Use a hammer if necessary. Slide the finished drawers into the dresser.

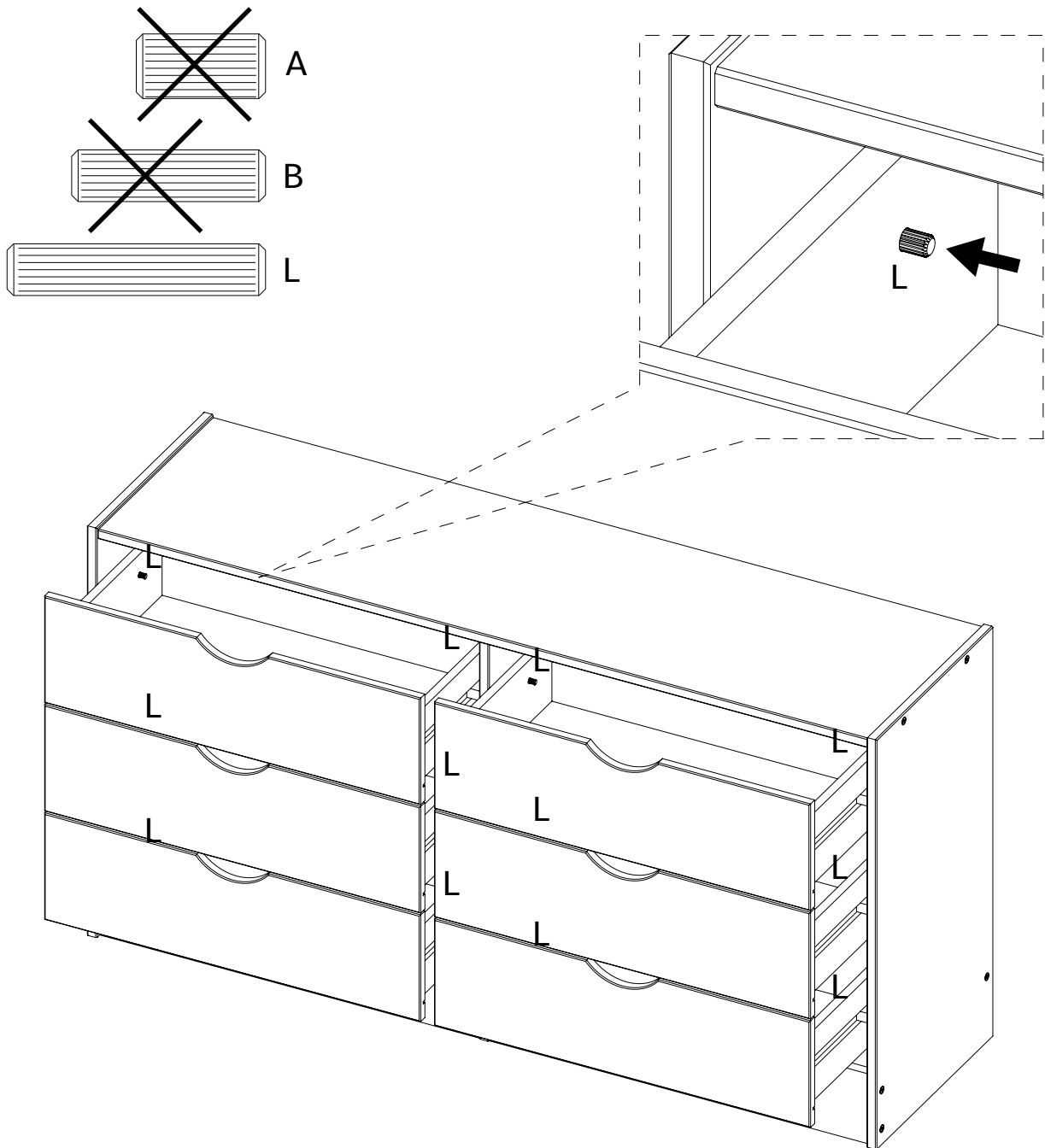


STEP READY



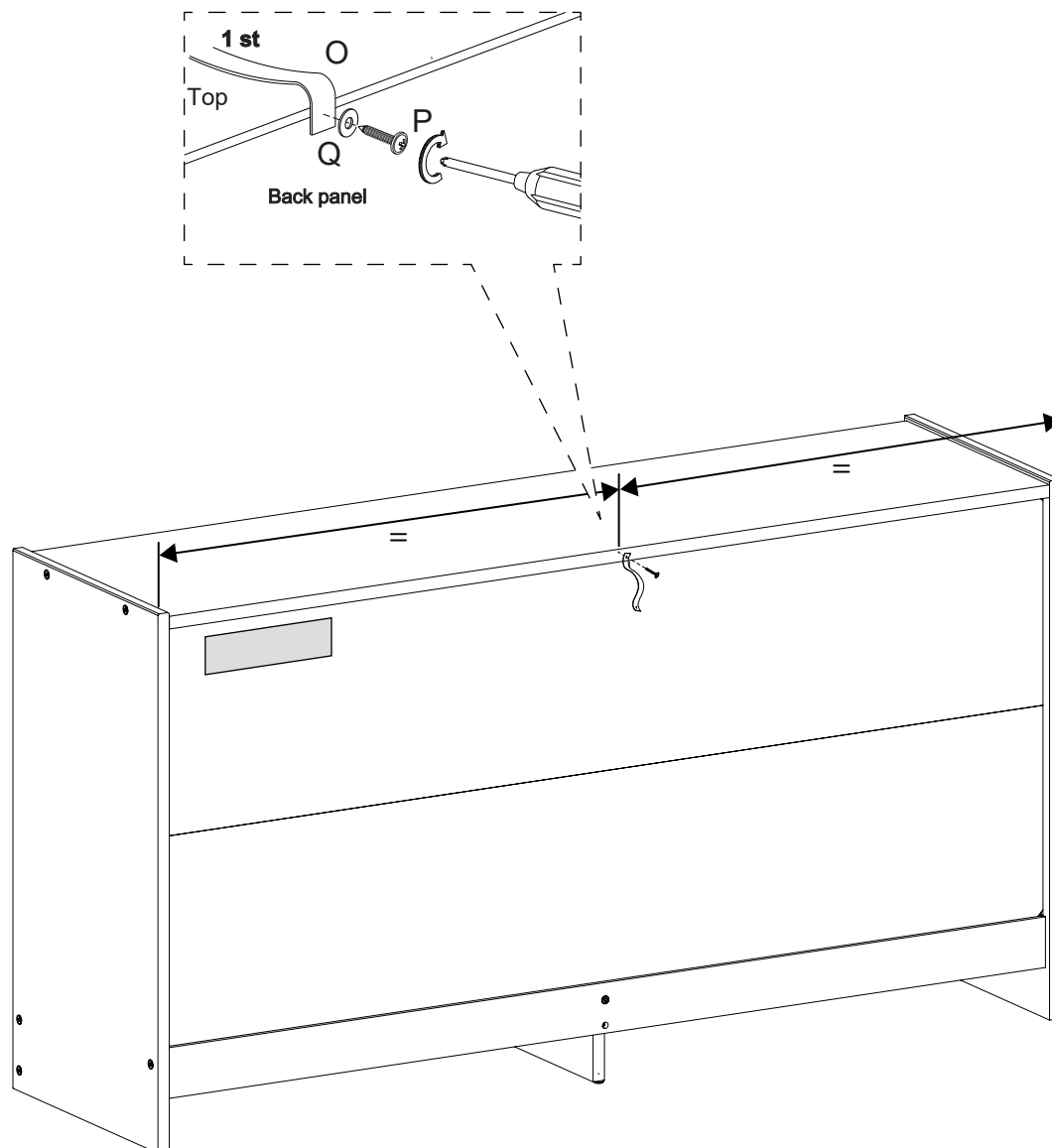
Step 22

Insert (L) Wooden dowels on the inside of all drawers while the drawer is inside the dresser. This keeps the drawer from falling out.



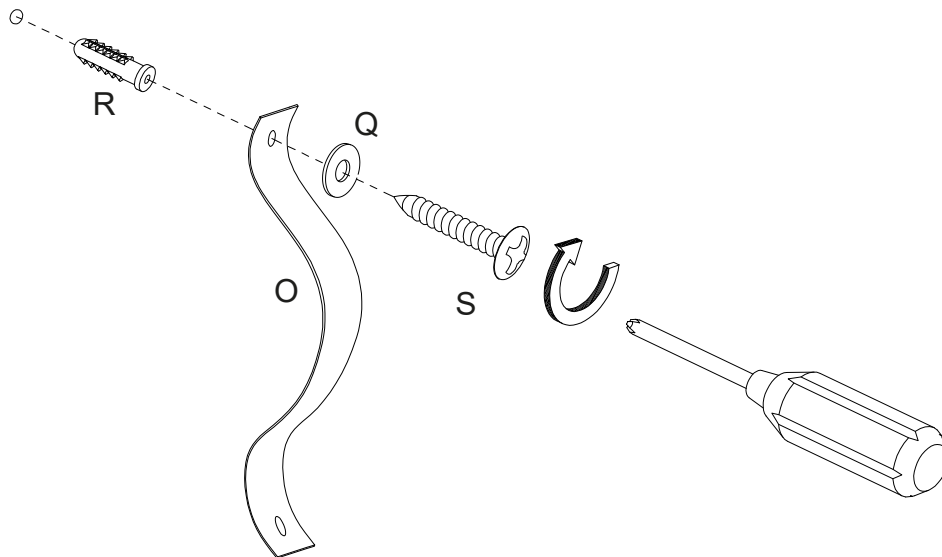
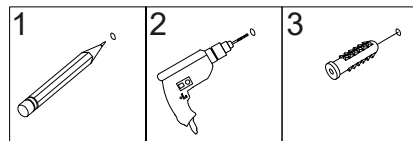
Step 23

To finish this up, let's secure your dresser to the wall! Attach the Wall anchor (O) to your dresser using a Washer (Q) and a (P) Screw.

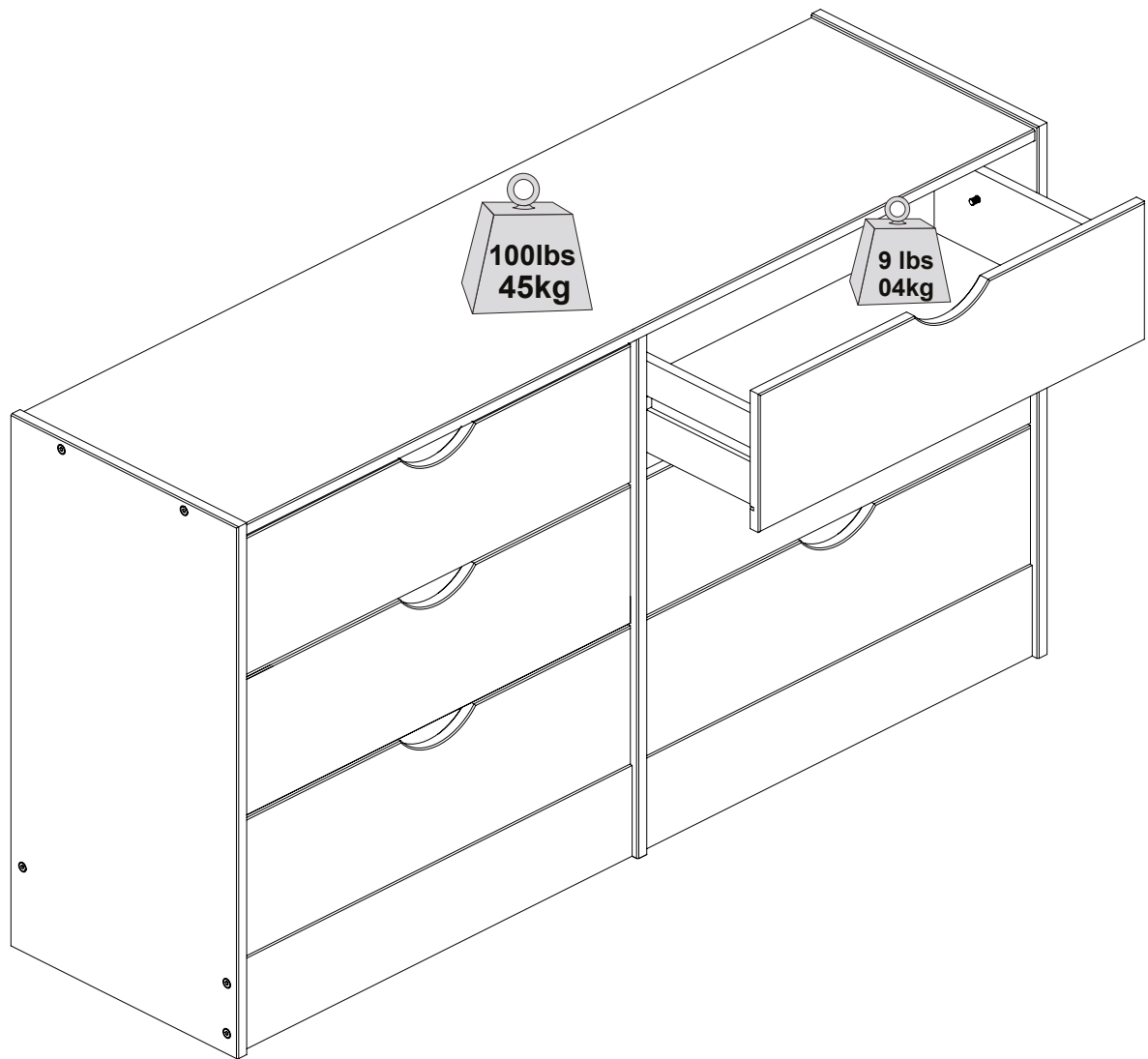


Step 24

Insert the Plastic bush (R) into the wall. Then, secure the Wall anchor (O) to the wall using a Washer (Q) and a (S) Screw.



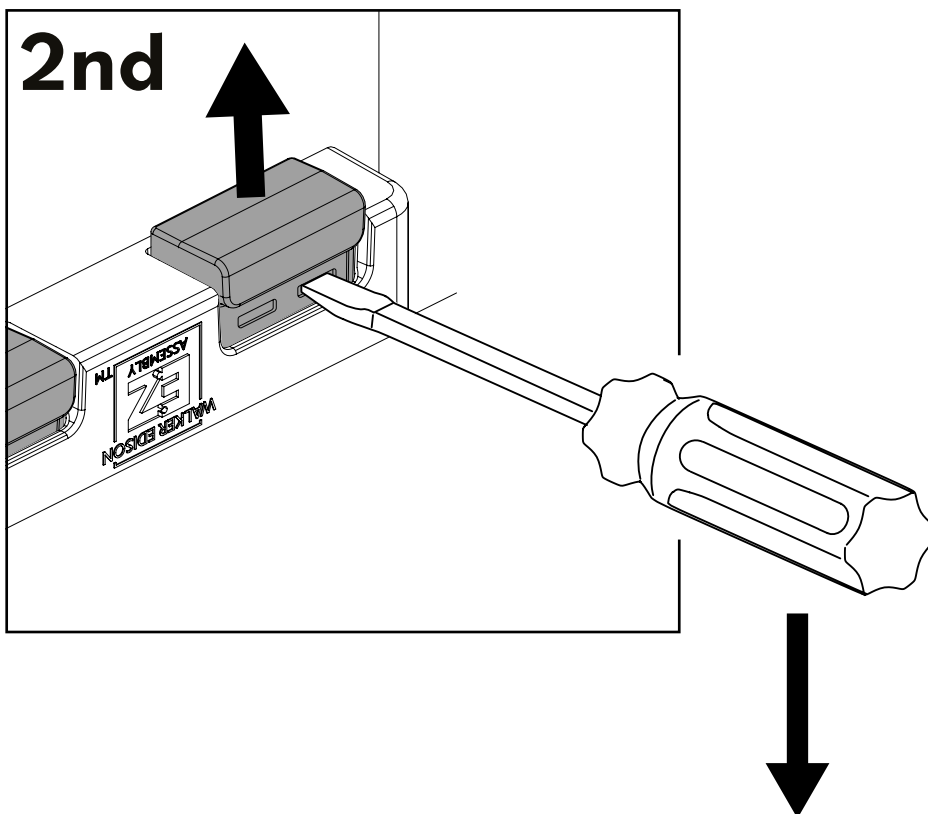
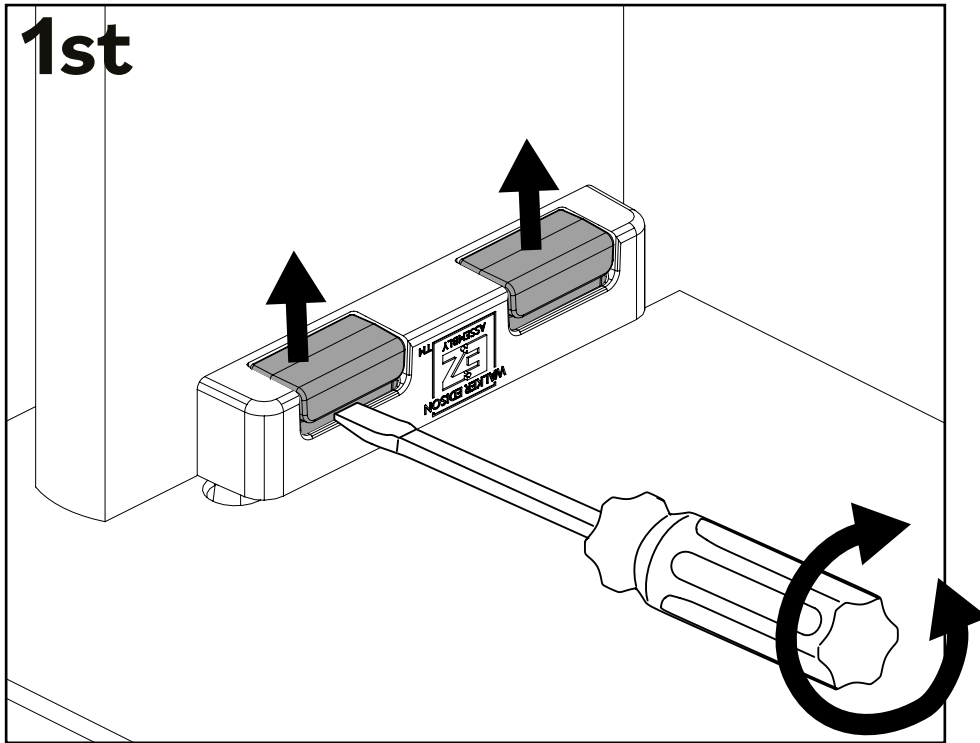
You did it! Enjoy your new Dresser!



Congratulations on your new piece of furniture!
We would love to hear about it and see it.
Please leave us a review or post a picture with
[#mywalkerredisonhome](https://www.instagram.com/mywalkerredisonhome)

To Disassemble

If it is necessary to disassemble, remove the Dovetail locker(J) with a Slotted head screwdriver.



Assembling furniture can be tricky sometimes.

Our customer service team, located in Utah, is here for product information, help assembling a product, or for any other customer support issue

Call us at **801-433-3008**

Email us at service@walkeredison.com

Visit our Customer Service website at walkeredison.com/pages/customer-service

We are available to help Monday -Thursday 8am-5pm, Friday 8am-3pm MST

For details on Assembly Videos, Assembly Instructions, Replacement Parts, and Customer service,

SCAN HERE

