

Location:

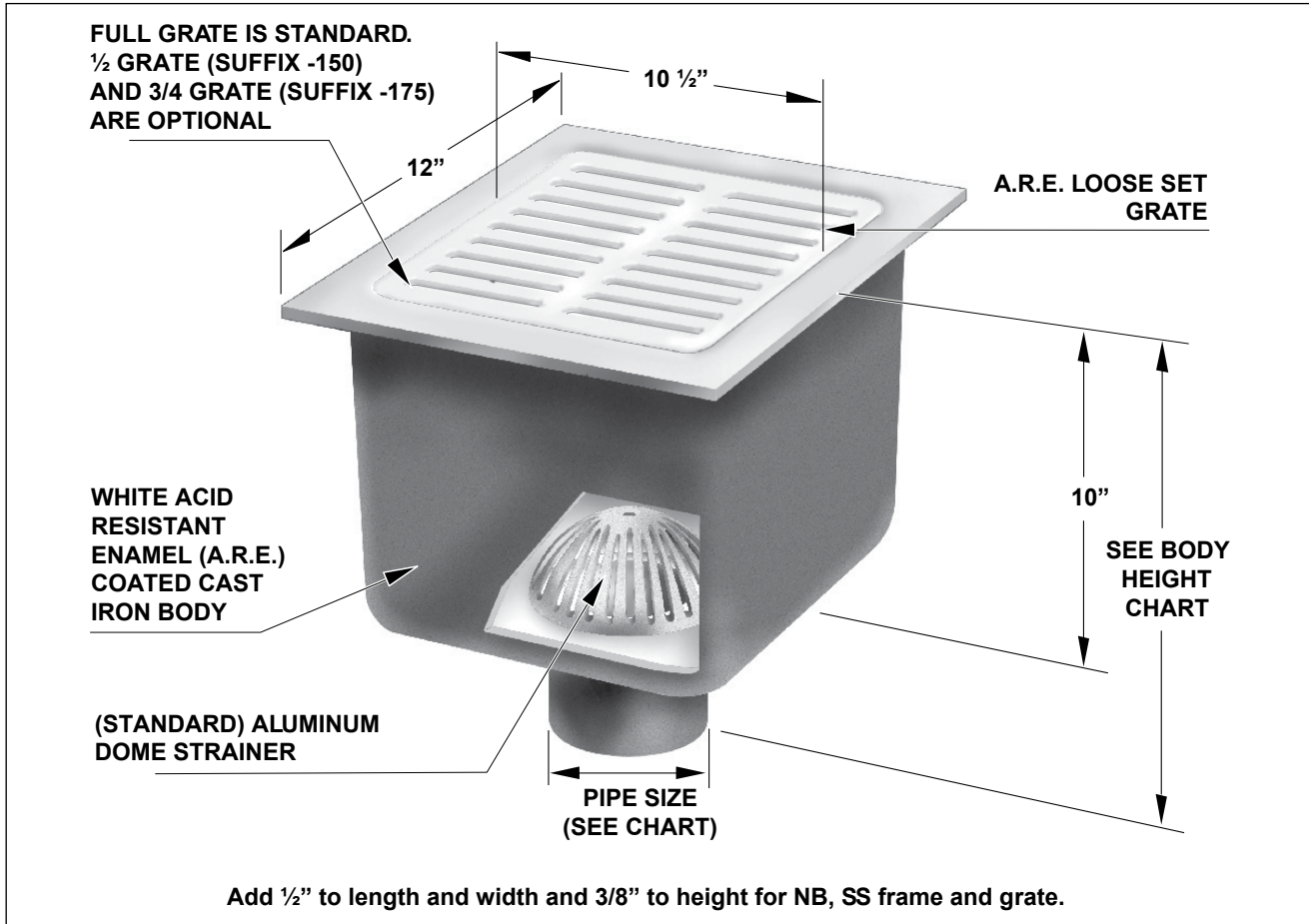


FS740

**12" x 12" 10" FLOOR AREA AND
INDIRECT SANITARY WASTE DRAIN**

Specification: MIFAB® Series FS740, 12" x 12" x 10" deep cast iron floor area and indirect sanitary waste drain complete with white acid resistant porcelain enamel coated interior and loose set grate. Anti-splash aluminum dome strainer included.

Function: Used in kitchens, restaurants, grocery stores, hospitals, schools, and other areas that require a large volume sanitary drain. Also suitable for indirect waste applications. The light duty grate is not recommended for foot traffic.



*Indicates outlet size and connection available with transition outlet body only

**4" Inside Caulk Outlet body only available with -FL anchor flange Outlet sizes indicated by the * are available with the transition outlet body only

PIPE SIZE	BODY HEIGHT		
	NO HUB (STANDARD)	PUSH ON (P)	INSIDE CAULK (X)
2" (51)	*12 1/2" (318)	*12 7/8" (327)	*14" (356)
3" (76)	*12 1/2" (318)	*12 7/8" (327)	*14" (356)
4" (102)	*12 1/2" (318)	*12 7/8" (327)	**12 5/8" (321)

SUFFIX	OPTIONAL VARIATIONS:	SUFFIX	OPTIONAL VARIATIONS:
-22	Less grate	(Standard)	No hub outlet
-150	1/2" grate	P	Push on outlet
-175	3/4" grate	X	Inside caulk outlet

Job Name: <input type="text"/>	Page No: <input type="text"/>
Section No: <input type="text"/>	Contract: <input type="text"/>
Schedule No: <input type="text"/>	Purchase Order No: <input type="text"/>

MIFAB SUFFIX LISTING

SUFFIX	DESCRIPTION		
01	Neoprene bowl gasket (MC-10-PBG)	-175	Three quarter grate (floor sinks)
-1	Nickel bronze (drains and cleanouts)	-A	Loose set grate (drains)
-1	Tiling frame (carriers) (MC-10-1-PTFK)	-A	Stud length over 8" (specify), Add per inch (carriers)
-2	Polished brass	-AH8 8"	ABS nipple with adjustable horn (MH-10-PN8AH-31)
-3	Stainless steel (Type 304) (drains)	-AH12	12" ABS nipple with adjustable horn (MH-10-PN12AH-31)
-3	Rear anchor support (carriers)	-B	Sump receiver (drains)
-4	Ductile iron	-B	Floor to ceiling uprights (carriers)
-5	Sediment bucket	-B	Cast brass box (hydrants)
-5	3/4" female solder adapter (hydrants)	-B	Integral bottom plate (backwater valves)
-6	Security screws (floor and area drains, cleanouts)	-B-49	Chrome plated brass box (hydrants)
-6	Vandal proof dome (roof drains)(H-1029)	-BK	Cast brass box with cylinder key lock (hydrants)
-6	3/4" IPS 90 degree elbow and union nut (hydrants)	-BK-49	Chrome plated brass box with cylinder key lock (hydrants)
-7	Trap seal primer tapping	-C	Membrane clamp (floor and area drains)
-8	Backwater valve (drains)(BV1250 Series)	-C	Secondary clamp (roof drains)
-8	3/4" adapter vacuum breaker (hydrants) (HY-9005-CP)	-C	Extension (interceptors)
-9	Hinged grate (drains)	-CI-4 4"	rolling thread cast iron nipple (MC-10-PN4R-50)
-9	1/4" drain port in box (hydrants)	-CI-6 6"	rolling thread cast iron nipple
-10	Decorative polished top (10 piece minimum) (drains)	-CI-8 8"	rolling thread cast iron nipple
-10	Auxiliary support (carriers) (MC-10-AFS)	-CI-12 12"	rolling thread cast iron nipple
-10	3/8" drain port in box (hydrants)	-CI-24 24"	rolling thread cast iron nipple
-11	Acid resistant epoxy coating	-C1	Low profile membrane clamp
-11	1/2" drain port in box (hydrants)	-CP	Chrome plated (interceptors)
-11B	Grate painted black	-E	Adjustable extension
-12	Galvanized metal dome (roof drains)	-EB	External strainer basket assembly (interceptors)
-12	Galvanized grate and frame (floor and area drains) (MC-10-PN12-31)	-EG	Galvanized adjustable extension
-12	12" tapered thread ABS nipple (carriers)	-E2	2" chrome plated escutcheons (pair)
-12	Wheel handle (hydrants) (HY-9003)	-F	Bar support valve plate (carriers)
-12A	Galvanized body and membrane clamp (roof drains)	-F1, -F2, -F3	Accuflow parabolic weir
-13	Galvanized body (floor and area drains)	-F4 4"	diameter funnel
-13	Galvanized body, membrane clamp and dome (roof drains)	-F6 6"	diameter funnel
-13	Test plug for custom and cast iron nipples (carriers)	-FL	Anchor flange
-14	Flat strainer (drains)	-FLC	Anchor flange with membrane clamp
-14	Vandal proof finish trim (carriers) (MC-10-PFH-14)	-G 4" x 9"	funnel (floor and area drains)
-15	Extension	-G	Ballast guard (roof drains)
-16	Square top assembly	-G	Trap with flushing connection (F1660 Series)
-17	with trap and cleanout (MI-OS Series)	-G	Wall support valve plate (carriers)
-17	All galvanized (carriers)	-GS	Grounding strap
-18	with trap and oil cone and cleanout (MI-OS Series)	-HC	Adjustable ballast guard with secondary clamp
-19	Nipple wrench (carriers) (MC-10-PCW)	-HD	Heavy duty re-enforced lid (interceptors)
-20	Secondary dome strainer (drains) (FD-9600 Series)	-HD	500 lb. Rated heavy duty (carriers)
-20	Flush valve support (carriers) (MC-10-FVS)	-HD-750	750 lb. Rated heavy duty (carriers)
-21	Secondary flat stainless steel strainer (2", 3", 4") (FD-9600 Series)	-HDX	1000 lb. Rated extra heavy duty (carriers)
-22	Less grate (drains)	-HM-2RB	High dome, rough bronze
-22	Less fitting (carriers)	-HM-PB	High dome, polished bronze
-23	Chained grate (drains)	-HM-NB	High dome, nickel bronze
-23	45 degree auxiliary inlet (MC-28)	-HSB	Hose storage box (hydrants)
-24	Solid secured cover	-HT	Holding tank (interceptors)
-25	2" auxiliary inlet, right side	-I 3/8"	threaded eye bolts for cast iron lavatories (carriers)
-26	2" auxiliary inlet, left side	-J 6" x 3" x 1"	funnel
-25-	1 Solid secured hinged nickel bronze cover	-JC	Ballast guard with secondary clamp
-26	Locking device (Same as -6)	-K	Cylinder key lock
-27	Rough bronze dome with stainless steel mesh screen	-M	Less anchor flange
-28	Stainless steel body (Type 304)	-MHY-CIA-18-A	HY-1000 hydrant repair kit
-29	Stainless steel body (Type 316)	-M-80	Low profile aluminum dome
-30	PVC socket connection body (2", 3", 4")	NH	No hub outlets
-31	ABS socket connection body (2", 3", 4")	-O	1" hose connection
-31	Two 2" auxiliary inlets (carriers)	-OR8	8" rolling thread ABS nipple
-32	Integral deep seal trap (2", 3", 4") (MI-950 Series)	-OR12	12" rolling thread ABS nipple
-32	No hub nipple with 4" cleanout for penal fixtures (MC-28)	P	Push on outlet
-32	Foot pedal mounting plate (carriers)	-PD	Polydome
-33	Less flange, deduct	-PF	Prefabricated carrier bank, per carrier
-34	Closure plug (C1440 Series)	-R	2" external water dam
-34B	Brass closure plug (A4-34B)	-RB	Replacement bucket (interceptors)
-35	Stainless steel mesh over bucket	-RB	Round box (hydrants)
-38	Solids retaining baffle	-RSSB	Replacement stainless steel baffle (interceptors)
-40	Underdeck clamp (drains)	S	End side outlet (T1320 and T1350 Series)
-40	1" brass casing (hydrants)	-S	1" x 1/4" slots (includes 4 mounting brackets) (hydrants)
-41	Sump receiver (drains)	-SB	Sediment bucket (interceptors)
-41	3/8" brass operating rod (hydrants)	-SS	Stainless steel (interceptors)
-42	Perforated standpipe (drains)	-SSB	Replacement stainless steel sediment bucket (interceptors)
-42	Decorative casing guard (hydrants)	-SSM	Stainless steel mesh screen on bucket (interceptors)
-43	Solid standpipe	T	Threaded outlet
-44	2" no hub side inlet (specify location)	-TE	2" extension (F1510 Series)
-44T	1 1/2" no hub side inlet (specify location)	-TL	Tile recess in lid (interceptors)
-49	Chrome plated	-U	Underdeck clamp
-50	Cast iron	-U3	Underdeck clamp with cutaway side
-51	2 1/2" round center grate opening (floor sinks)	-V	Fixed extension (2", 3", 4")
-69	Stainless steel sediment bucket (F1000 and F1100 Series)	-VG	Galvanized fixed extension (2", 3", 4")
-79	Standpipe over 8", per inch	-W	Adjustable water dam
-80	Low profile aluminum dome	-WC	Wall clamp (hydrants)
-81	Rough bronze dome	-W-1	Water proofing flange
-83	Stainless steel mesh screen over dome	-W2	2" internal water dam
-87	Screw longer than 3 1/2", per inch	-W3	3" internal water dam
-90	Threaded side outlet (2", 3", 4")	-W4	4" internal water dam
-90NH	No hub side outlet (2", 3", 4")	X	Inside caulk outlet
-91	Stainless steel standpipe (W-3)	-X	Invert extension "C" dimension (F1560)
-95	Client logo	-XH	Extra heavy duty ductile iron grates (1 1/2" x 12" x 12")
-150	Half grate (floor sinks)	-Y	Non adjustable top (area drains)
		-Z	Extended wide elastomeric flange on top
		-Z	Add per each foot over 3' of upright (carriers)