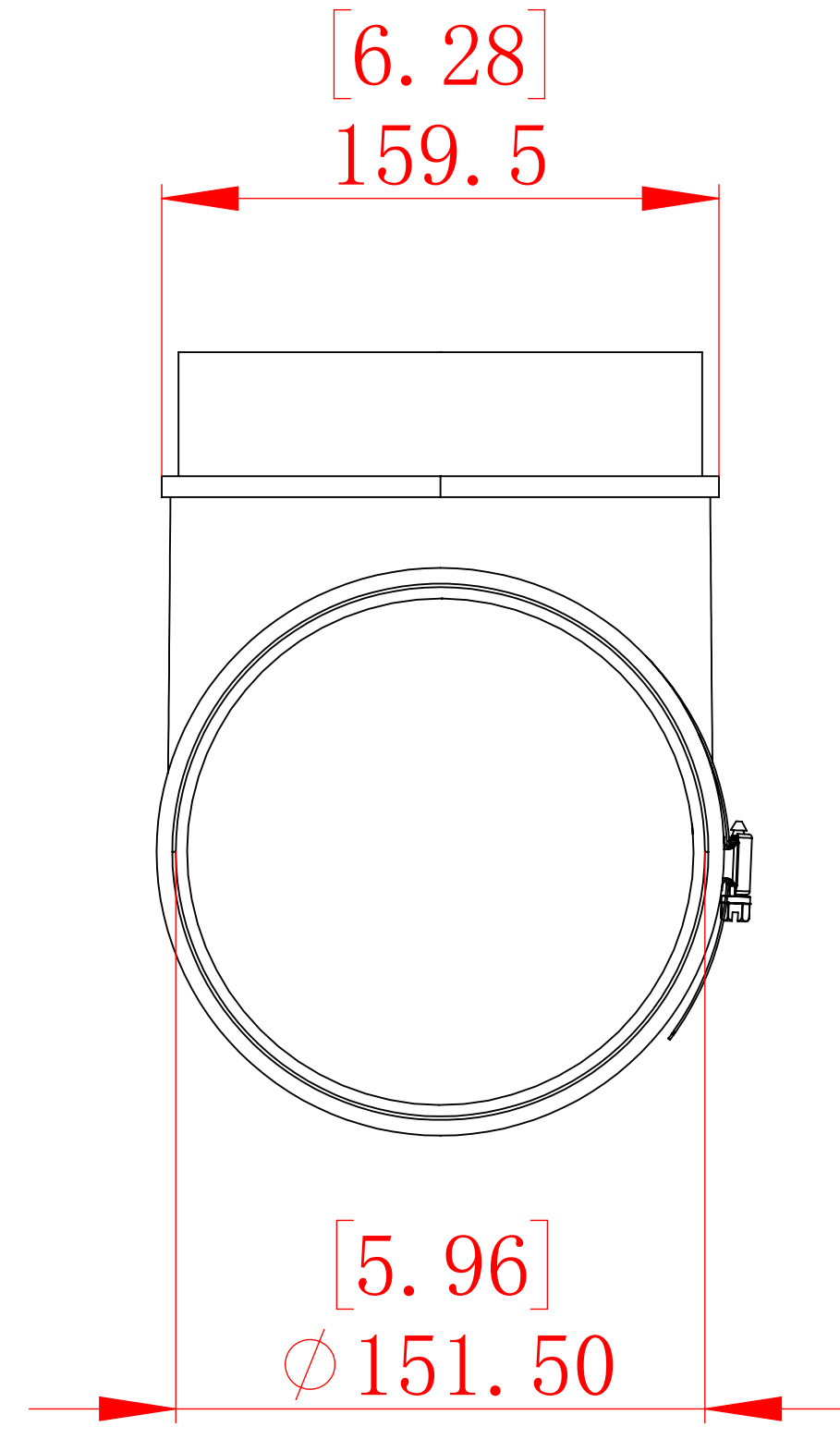
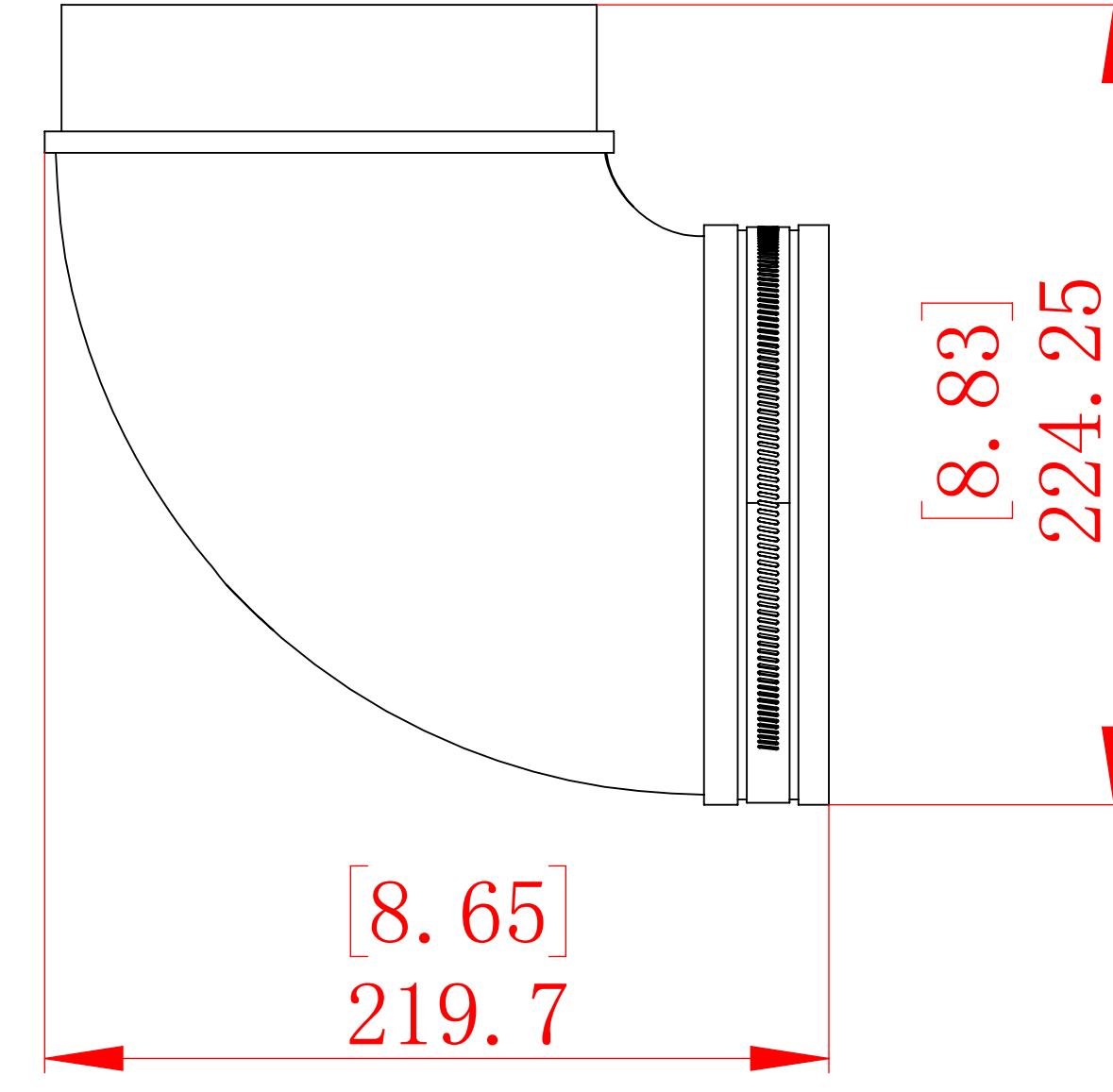


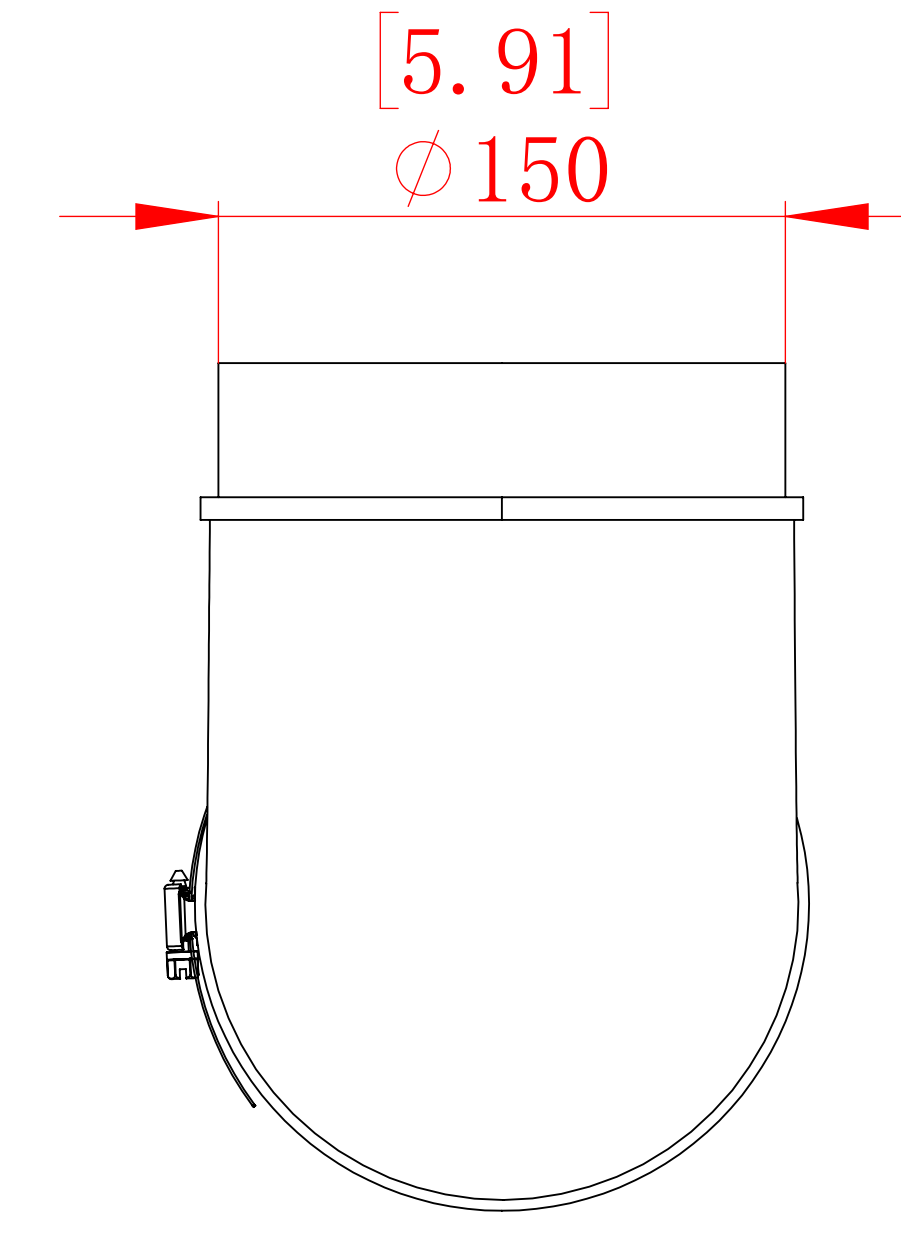
**FRONT**



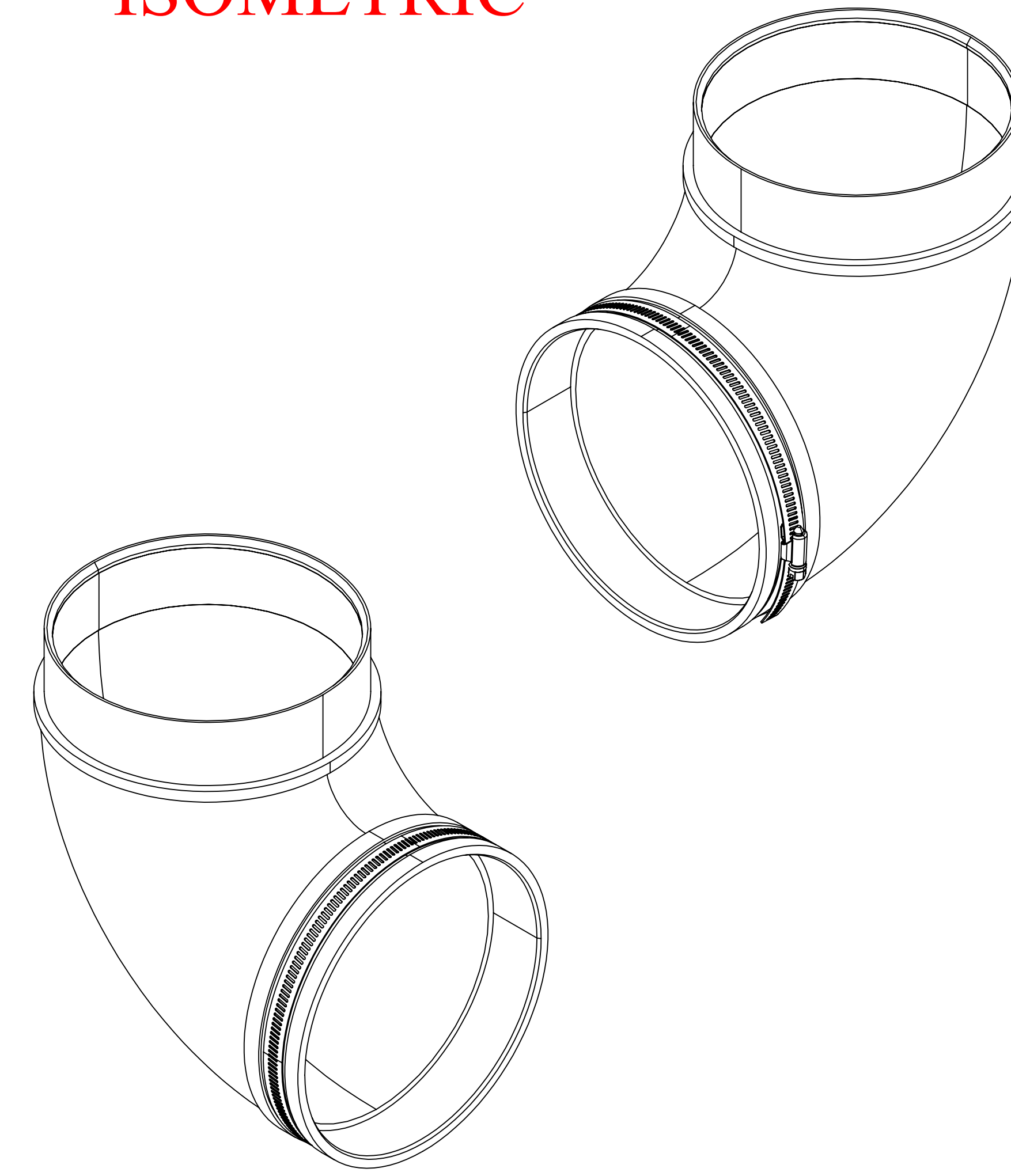
**SIDE**



**BACK**



**ISOMETRIC**



**SONANCE**

991 Calle Amanecer, San Clemente, CA.  
92673  
58800 2-7777 949 492-7777  
FAX 949 361-5579  
www.sonance.com

PPX-6-90

SCALE: 1 : 2

DRAWN BY:

DRWN - PART NUMBER

REV.

SHEET: 01

RELEASED ON: