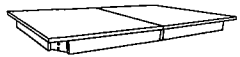


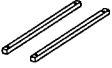

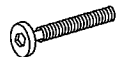



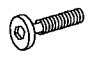


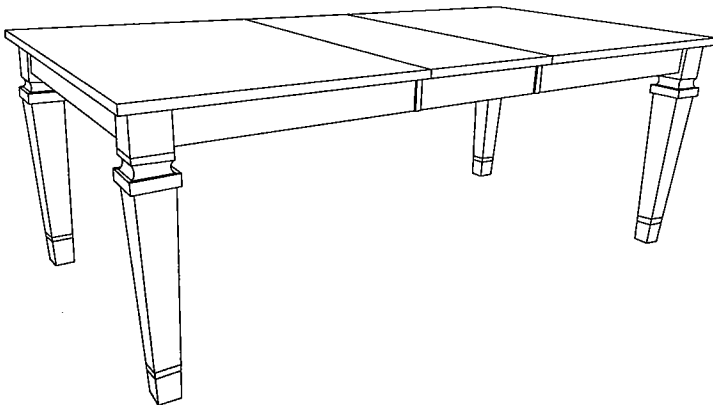


ASSEMBLY INSTRUCTION

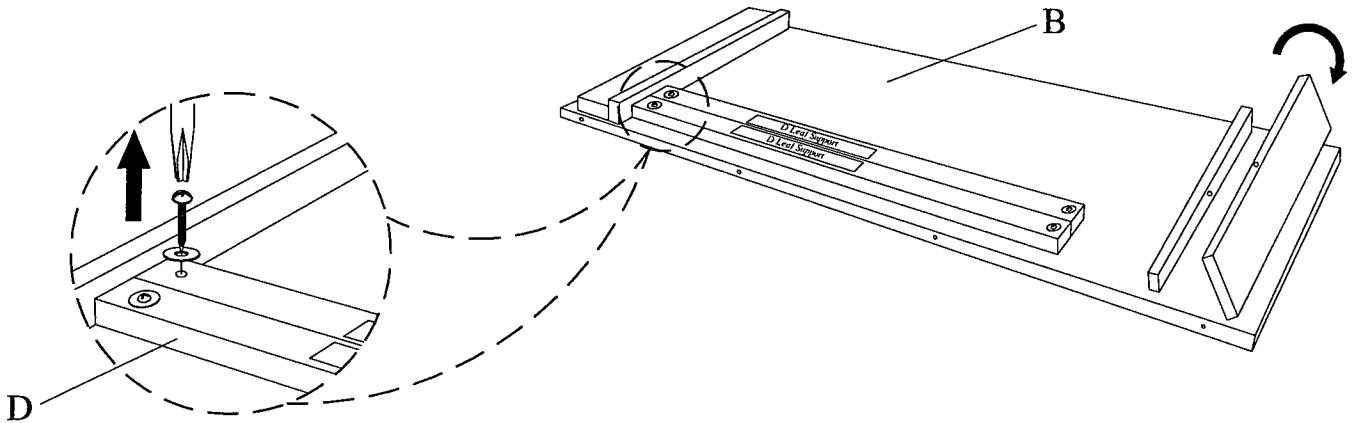
RECTANGULAR DINING TABLE WITH 18" EXTENSION LEAF

A TABLE TOP  1 PC	B LEAF  1 PC	C TABLE LEG  4 PCS	D LEAF SUPPORT  2 PCS
E ALLEN WRENCH M5  1 PC	F JCBC M8 x 80mm  8 PCS	G SPRING WASHER M8  8 PCS	H FLAT WASHER M8  8 PCS
I ALLEN WRENCH M4  1 PC	J JCBC M6 x 40mm  4 PCS	K SPRING WASHER M6  4 PCS	L FLAT WASHER M6  4 PCS

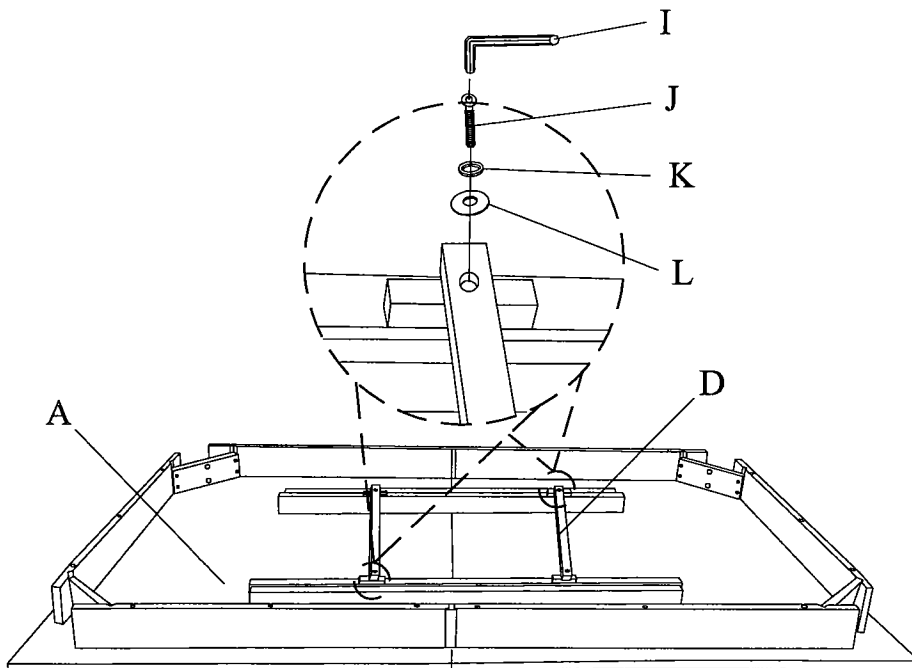


This Page lists all the contents included in the box . Please take the time to identify the hardware as well as the individual components to this product . As you unpack and prepare for assembly , place the contents on a carpeted or padded area to protect them from damage .

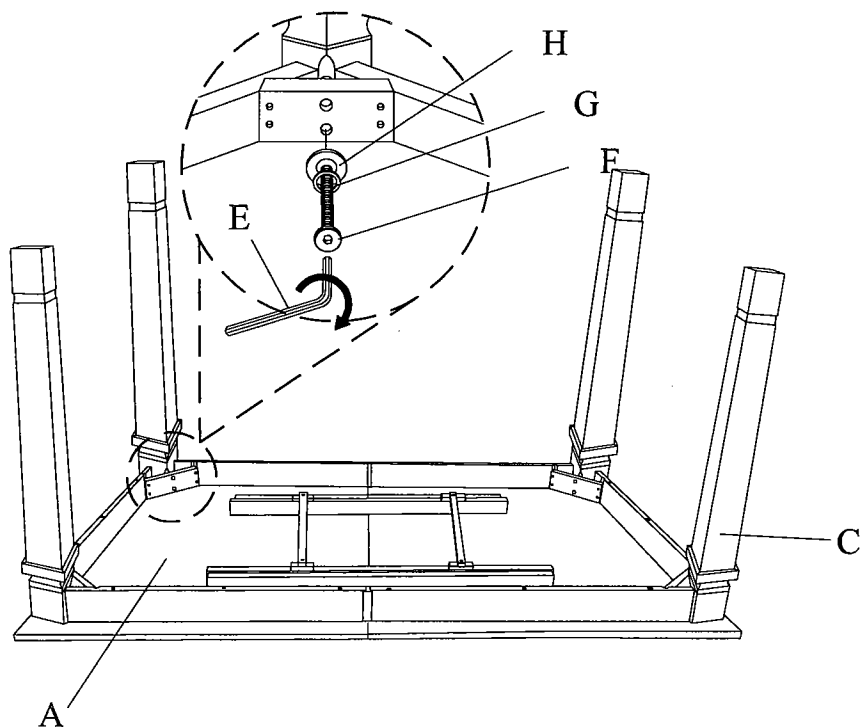
- 1** Open the inner box and take out the leaf(B). Please unloose the screw and flat washer from the leaf support(D) with screw driver(Not Included). Discard the hardware and keep leaf support for step 2 use.



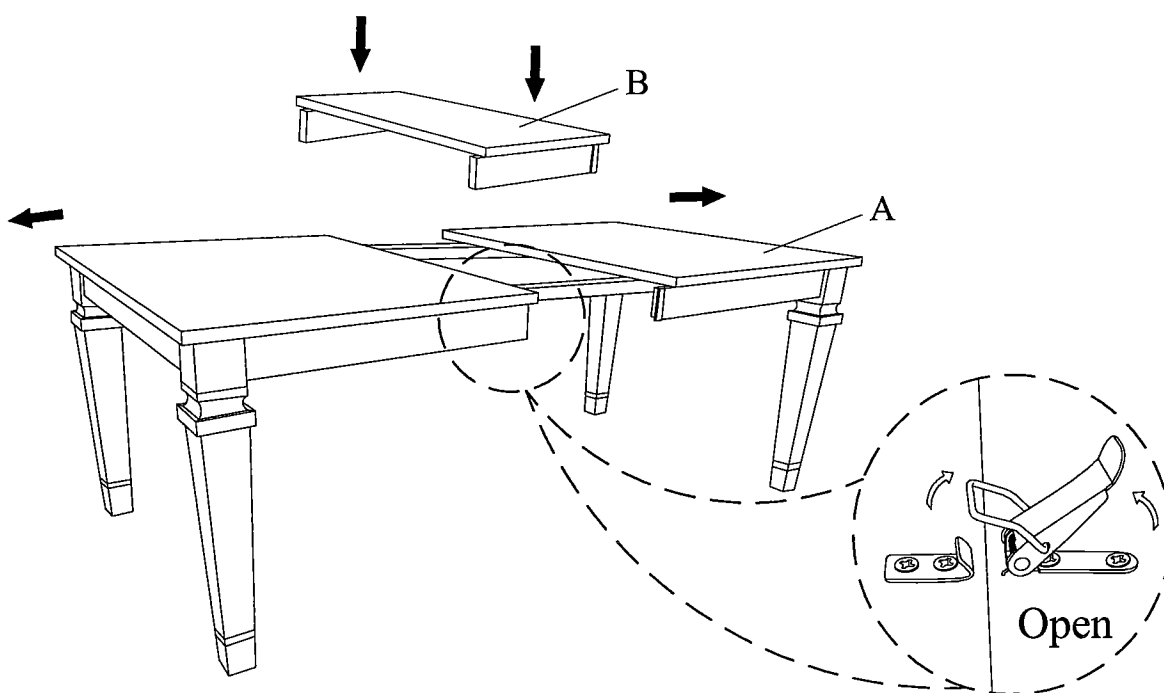
- 2** Place table top(A) upside down on soft surface. Align and fasten leaf support(D) to table slide on the table top(A). Using short bolt(J), small spring washer(K) and small flat washer(L) and tighten with small Allen wrench(I).



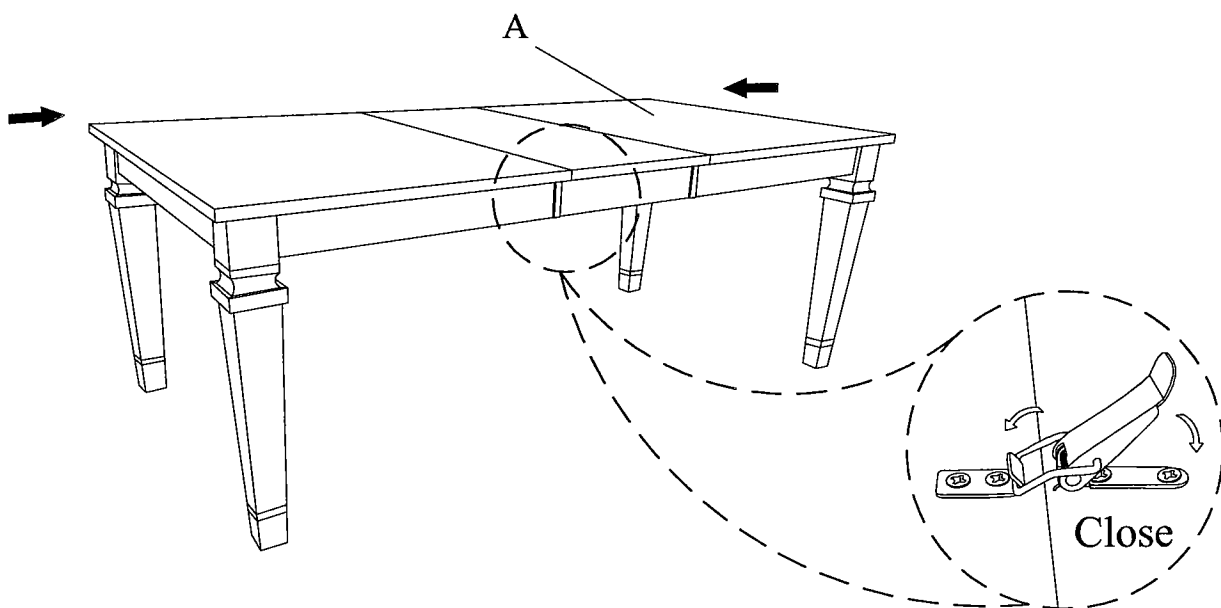
3 Align and fasten all legs(C) to table top(A) using long bolt(F) ,big spring washer(G) and big flat washer(H) and tighten with big Allen wrench(E) .



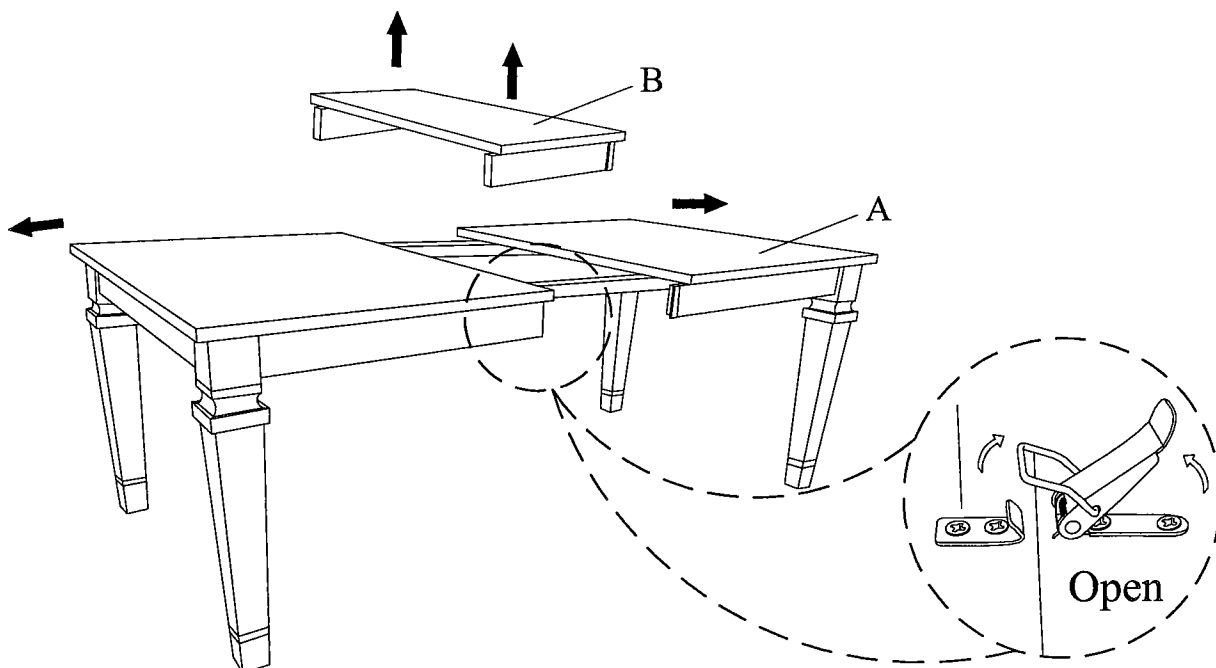
4 Flip table over using two people to lift and flip this table. Unlock the latches underneath table top(A). Pull apart the table top(A) at both ends and place center leaf(B) into place.



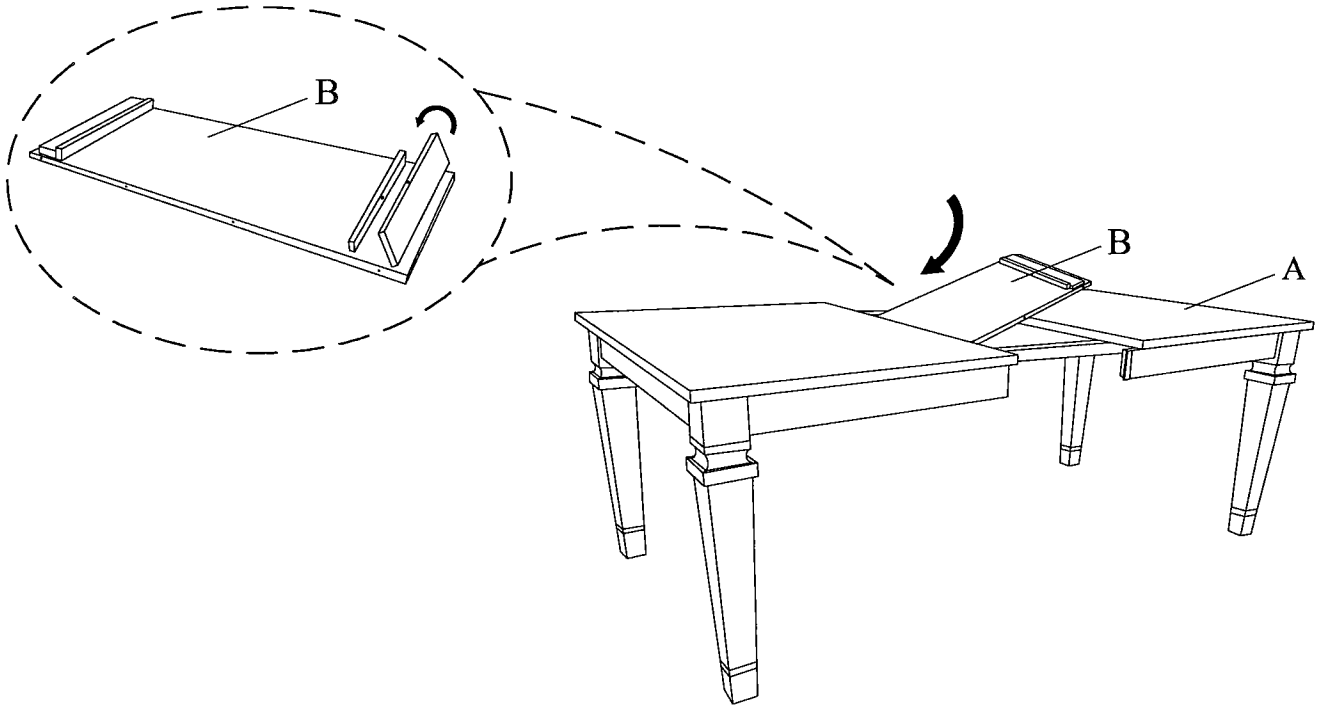
5 Push both ends together and make sure pin line up. Close the table top(A) tightly and lock all latches on the underneath of the table.



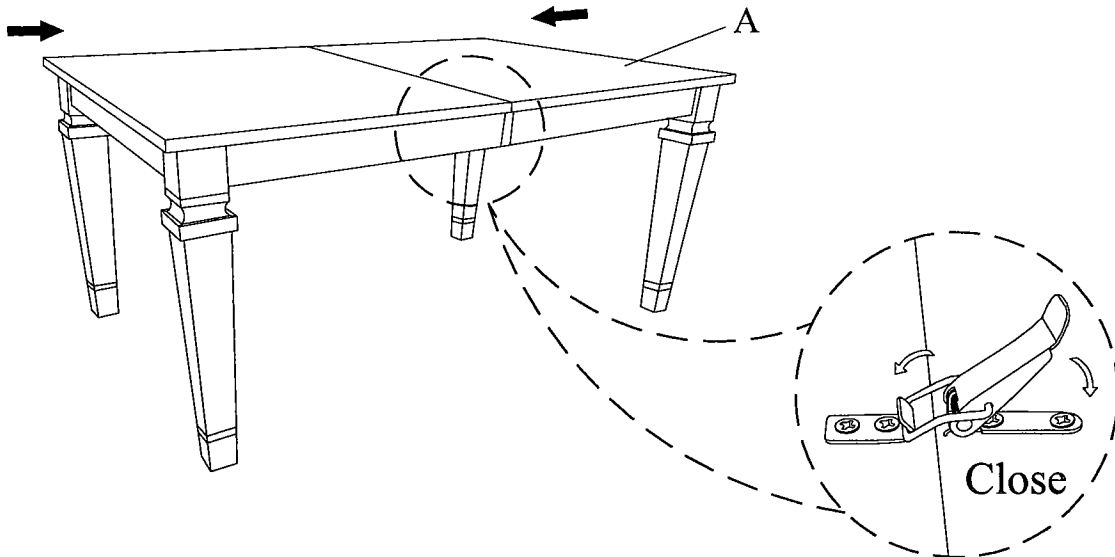
6 Unlock the latches underneath table top(A). Pull apart the table top(A) at both ends and take out the center leaf(B).



7 Fold the center leaf(B) apron. Keep the center leaf(B) underneath table top(A) and hang on the leaf support.



8 Push both ends together and make sure pin line up. Close the table top(A) tightly and lock all latches on the underneath of the table.



Cleaning & Care

Treat Surface with care. Surface is resistant to scratches but is not scratch resistant. Clean surface with a dry or damp soft cloth. Do not use abrasive cleaners . Hardware may loosen over time. Periodically check that all connections are tight.