



Underscore[®] | K-1167-JH

60" x 30" drop-in heated whirlpool bath

Features

- Eight Proflex[®] hydromassage jets can be individually adjusted for water flow and direction
- Single-speed whirlpool offers performance and value with 8 fully adjustable jets
- Built-in heater
- Slotted overflow allows for deep soaking
- Integral lumbar support
- Textured bottom surface



Available Colors/Finishes

Color tiles intended for reference only.

- 0 White
- 96 Biscuit
- 7 Black Black



1-800-4KOHLER (1-800-456-4537)
Kohler Co. reserves the right to make revisions without notice to product specifications.
For the most current specification sheet, go to www.kohler.com USA or www.kohler.ca Canada.
5-12-2026 18:5 - US-CA

THE BOLD LOOK
OF **KOHLER**[®]

Codes/Standards

ADA compliant when installed to the specific requirements of these regulations.



ASME A112.19.7/CSA B45.10
CSA B45.5/IAPMO Z124
ASTM E162
ASTM E662
UL 1795
CSA C22.2 No. 218.2
ADA
ICC/ANSI A117.1
cUL Listed
UL Listed

Technical Information

All product dimensions are nominal.

Drain Location:	Reversible
Drain Hole Diameter:	2-1/4" (57 mm)
Minimum Flat for Door:	2" (51 mm)
Basin Area, Bottom:	42-7/16" x 20" (1078 mm x 508 mm)
Basin Area, Top:	54-5/16" x 24-1/4" (1380 mm x 617 mm)
Water Depth:	14-3/4" (374 mm)
Water Capacity:	59.8 gal (226.4 L)
Minimum Floor Load:	46 lbs/ft ²
Weight:	135.8 lbs (61.6 kg)
Cutout:	Drop-in, 59-1/2" x 28-1/2" (1511 mm x 724 mm)

Material

- Acrylic

Recommended Products/Accessories

- K-1491 Bath/whirlpool pillow, removable
- K-1601 Bath/whirlpool footstop, removable
- K-706007-L Sliding bath door, 62" H x 56-5/8 - 59-5/8" W, with 3/8" thick Crystal Clear glass
- K-706000-D3 Sliding bath door, 62" H x 56-5/8 - 59-5/8" W, with 1/4" thick Frosted glass
- K-706000-L 62" H sliding bath door with 1/4"-thick glass
- K-706003-L Sliding bath door, 62" H x 56-5/8 - 59-5/8" W, with 3/8" thick Crystal Clear glass
- K-706004-D3 Sliding bath door, 62" H x 56-5/8 - 59-5/8" W, with 1/4" thick Frosted glass
- K-706004-L Sliding bath door, 62" H x 56-5/8 - 59-5/8" W, with 1/4" thick Crystal Clear glass

Required Products/Accessories

- K-7271 Slotted overflow brass bath drain
- or
- K-7272 Slotted overflow bath drain

Required Electrical Service

Two dedicated circuits required.

Pump:	120 V, 15 A, 60 Hz
Heater:	120 V, 15 A, 60 Hz

Electrical Component Ratings

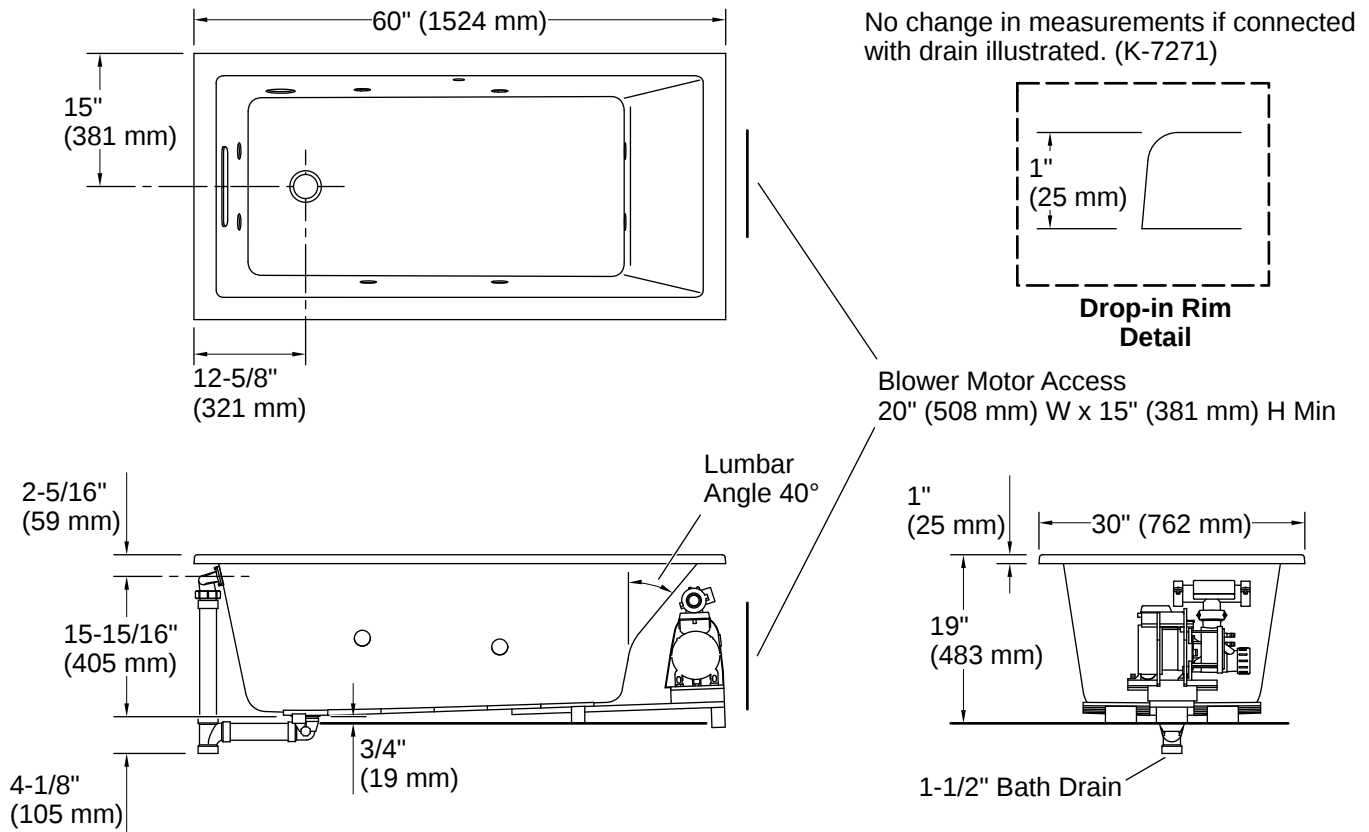
Pump:	120 V, 7 A, 60 Hz
Heater:	120 V, 12 A, 60 Hz

Warranty

See website for detailed warranty information.

KOHLER® Plastic Baths and Shower Bases Lifetime Limited Warranty|KOHLER® Hydrotherapy Components Five-Year Limited Warranty





Installation

- Drop-in
- Reversible drain
- 120 V electrical requirement allows for easy installation with standard outlet
- Requires one 120V dedicated circuit
- Requires Clearflo slotted overflow bath drain (sold separately)

Installation Notes

Install this product according to the installation instructions.

Measure your actual product for rough-in details.

The hot water supply should be 70% of the capacity of the bath or greater. Installations will vary.

ADA compliant when installed to the specific requirements of these regulations.

