

ASSEMBLY INSTRUCTION

X-FRAME BOOKCASE

A Side Frame



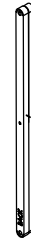
1pc

B Side Frame



1pc

C Side Frame



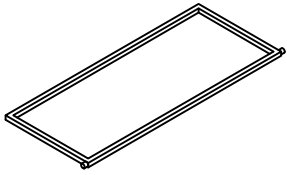
6pcs

D Back Cross Bar



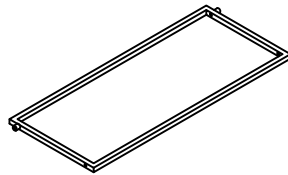
2pcs

E Top Frame



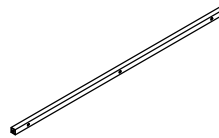
1pc

F Bottom Frame



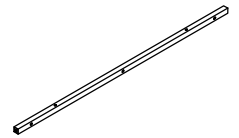
1pc

G Cross Bar



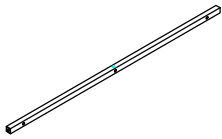
3pcs

H Cross Bar



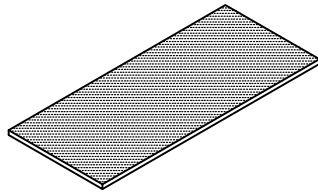
2pcs

I Cross Bar



1pc

J Shelf Board



5pcs

K Screw
M4x28mm



30pcs

L Bolt
Ø1/4"x5/8"



5pcs

M Bolt
Ø1/4"x1"



4pcs

N Bolt
Ø1/4"x1-1/2"



4pcs

O Bolt
Ø1/4"x2"



12pcs

P Flat Washer
Ø1/4"x16mm



5pcs

Q Levelers
Ø1/4"xØ13mm



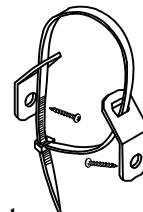
4pcs

R Allen Key
M4



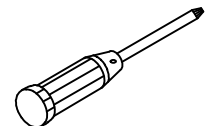
1pc

S Anti-Tipping Kit

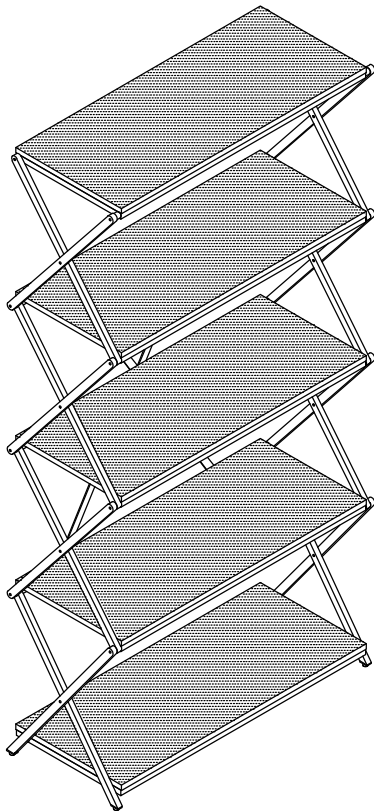


1set

T Screwdriver
(Not Provided)



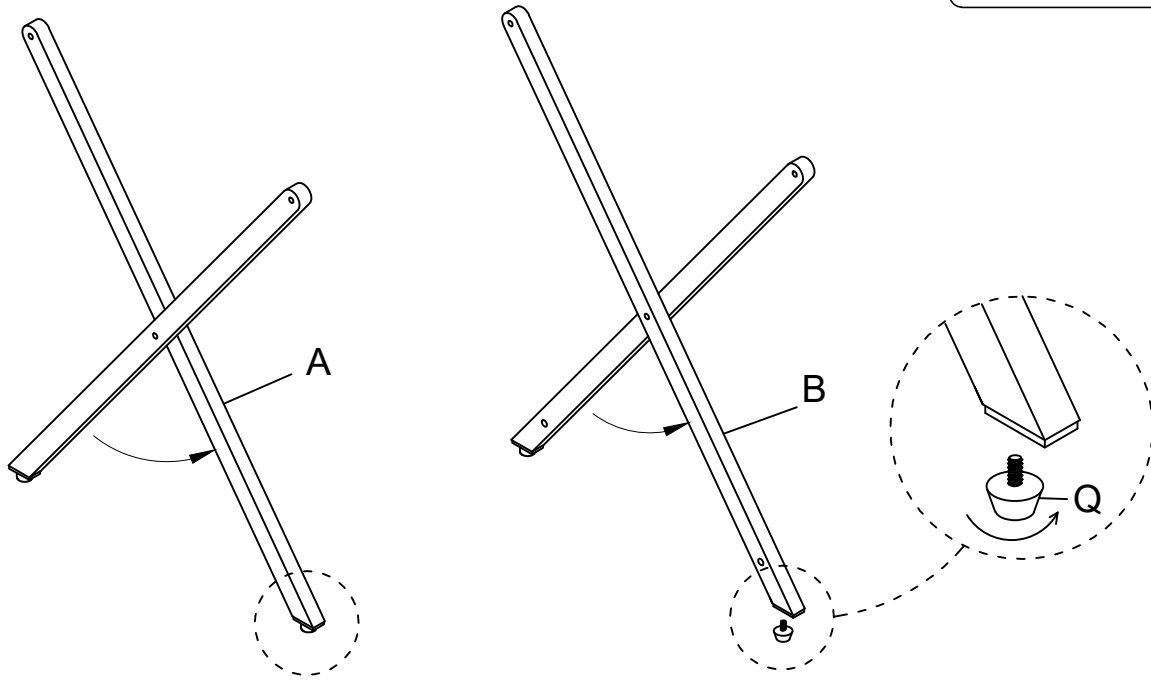
1pc



This page lists all the contents included in the box. Please take the time to identify the hardware as well as the individual components to this product. As you unpack and prepare for assembly, place the contents on a carpeted or padded area to protect them from damage.

1 Assemble Levelers (Q) to the Side Frame (A) & Side Frame(B), but not too tight.

Q  4PCS

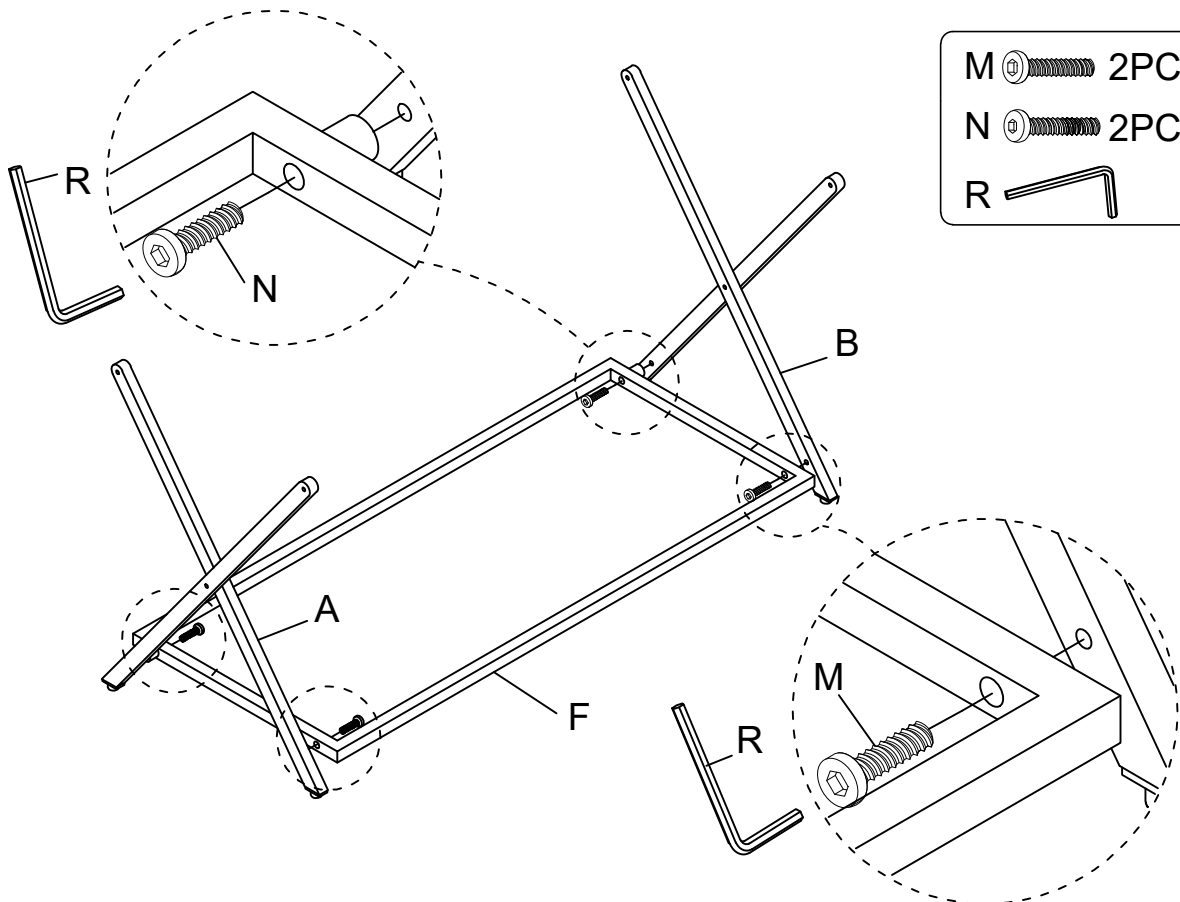


2 Assemble the Side Frame (A) & Side Frame (B) to the Bottom Frame (F) with Bolt (M) & Bolt (N), then fasten by Allen Key (R).

M  2PCS

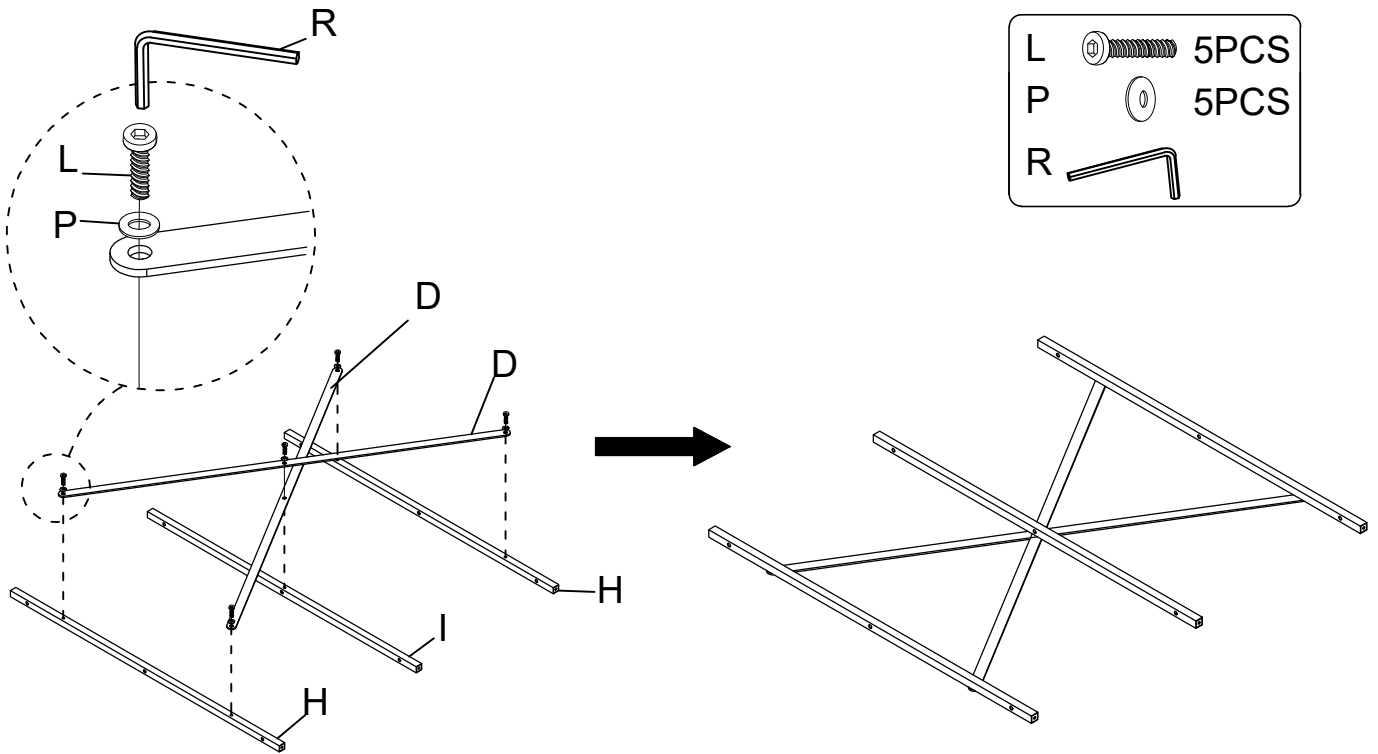
N  2PCS



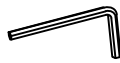
R 



3

Assemble the Back Cross Bar (D) to the Cross Bar (H) & Cross Bar (I) with Bolt (L) and Flat Washer (P), then fasten by Allen Key (R).

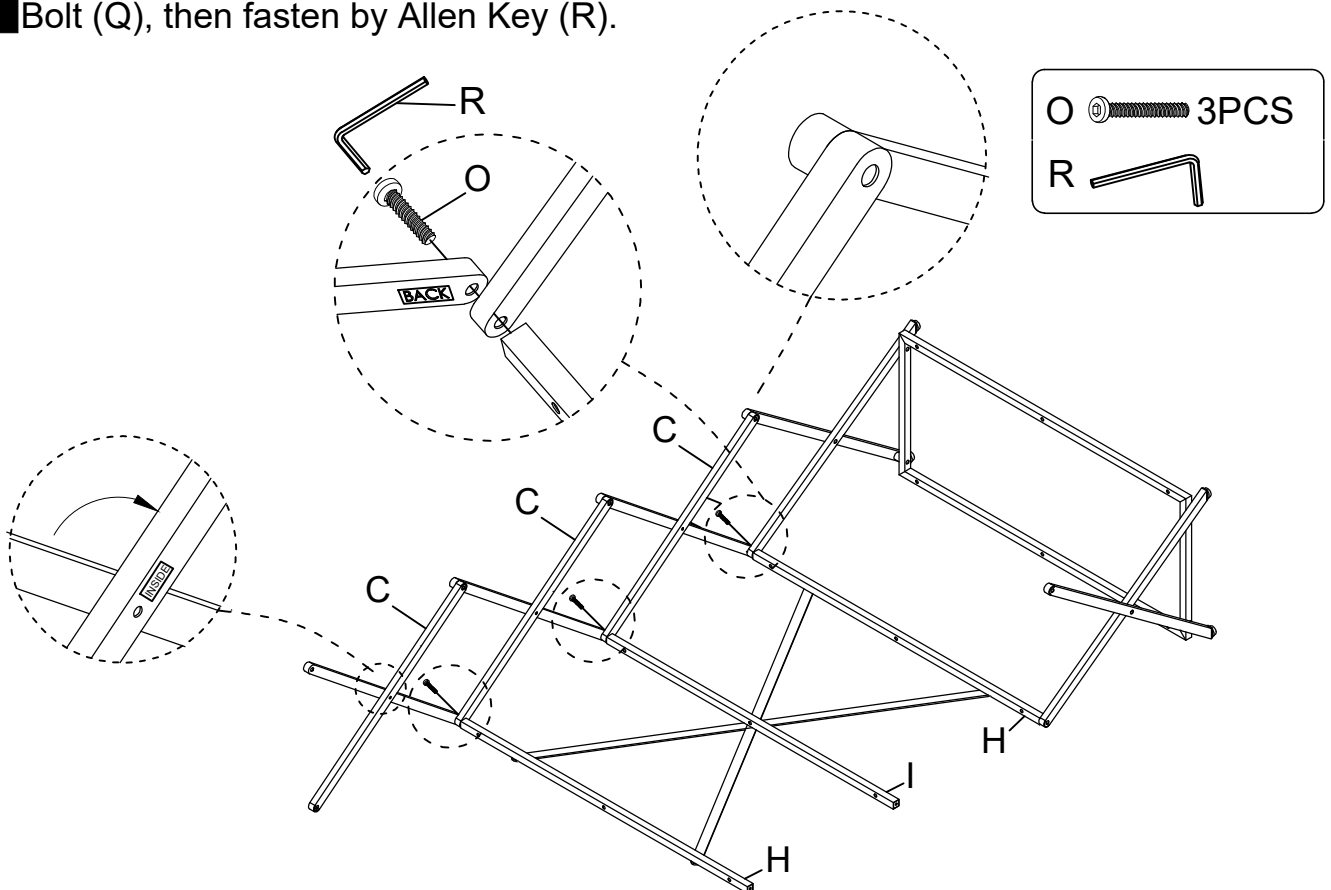




L		5PCS
P		5PCS
R		

Remark: Do not tighten all bolts in this step!

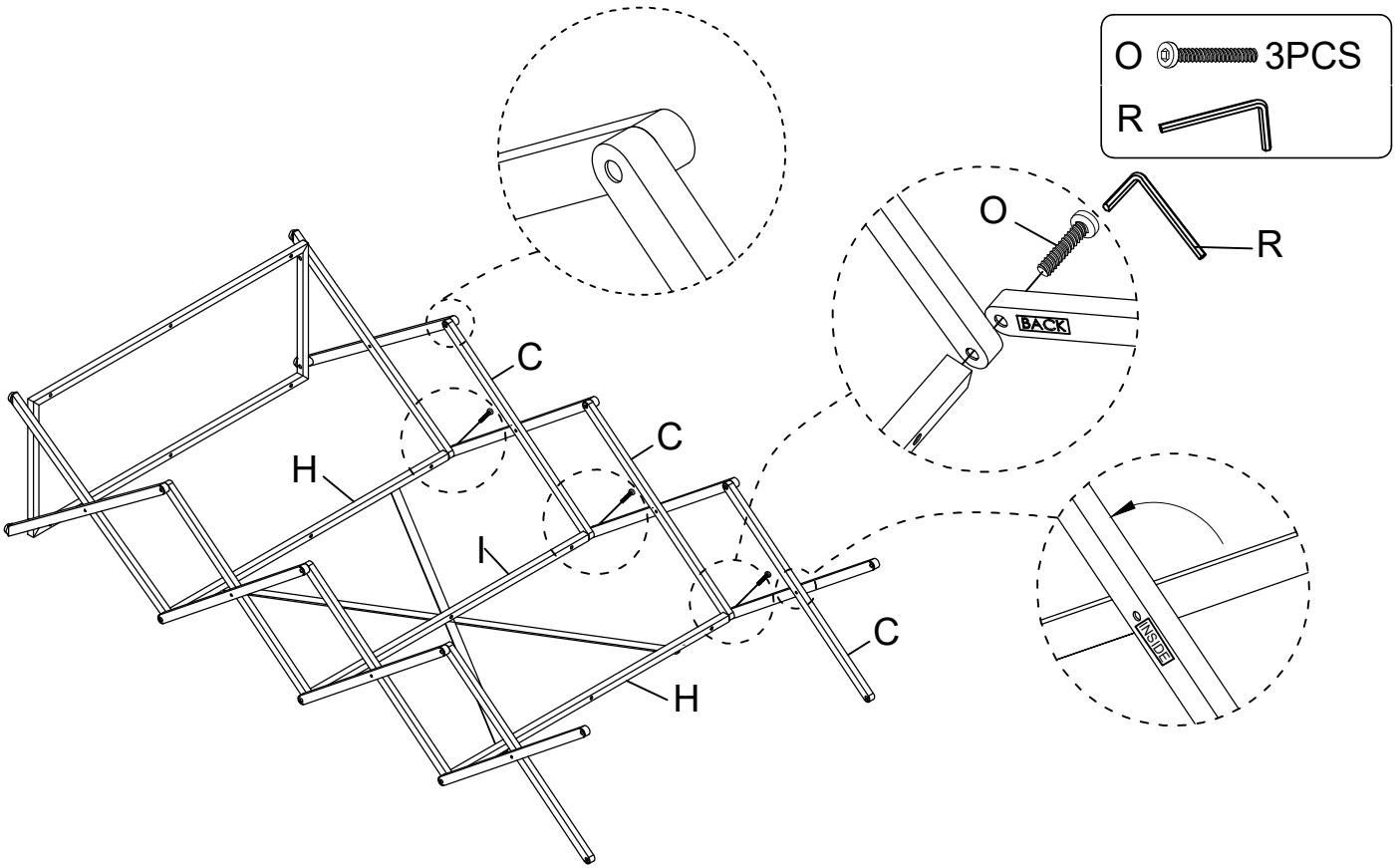
4

Assemble the Side Frame (C) to one side of the Cross Bar (H) & Cross Bar (I) with Bolt (Q), then fasten by Allen Key (R).

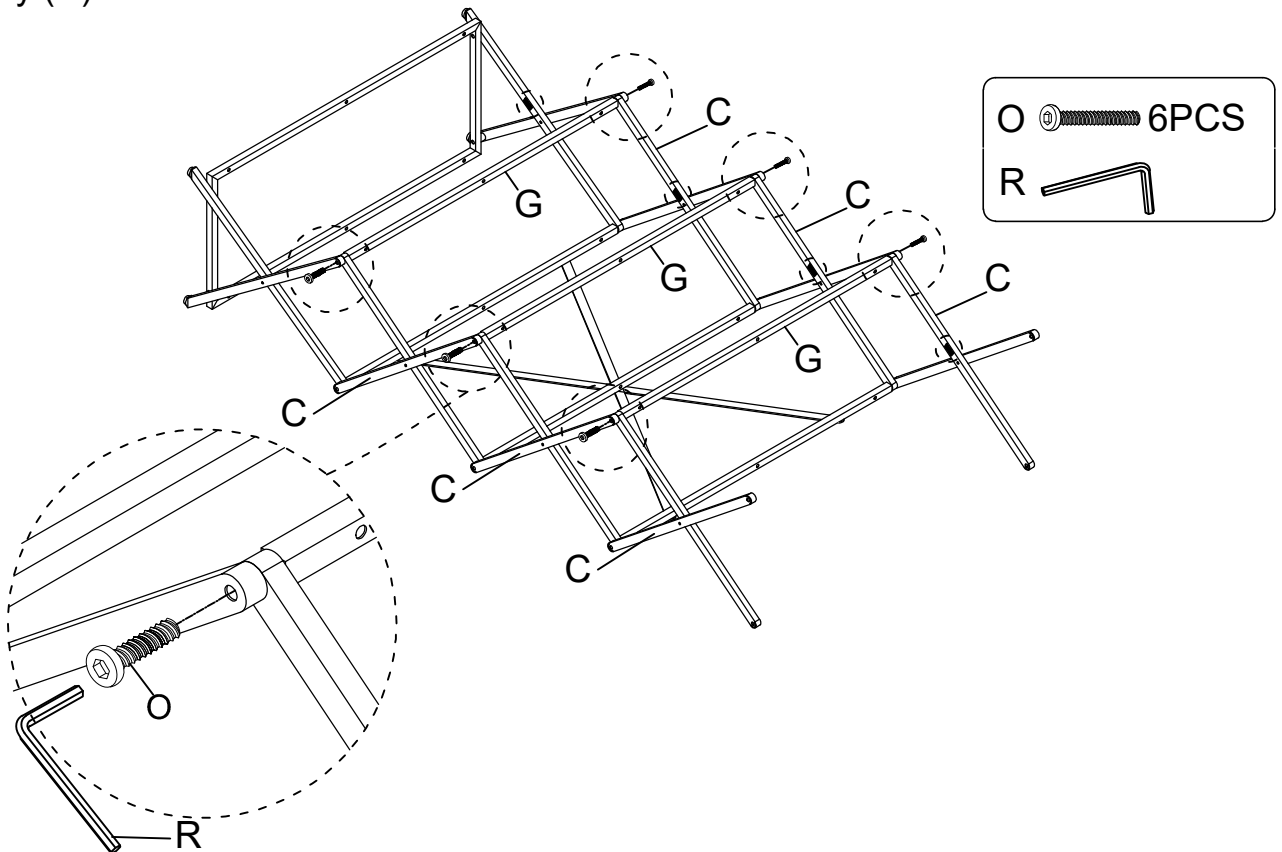


O		3PCS
R		

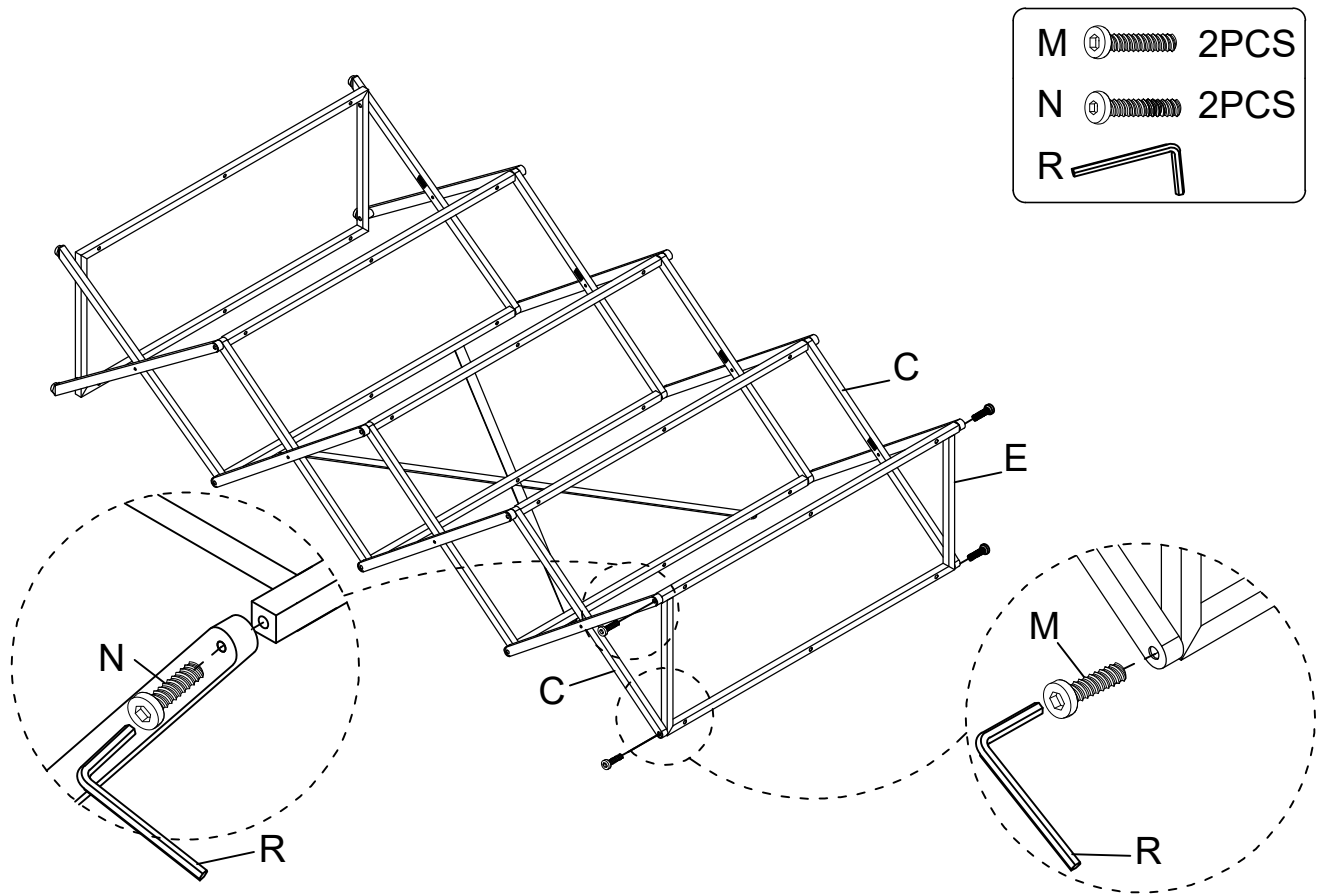
5 Assemble the rest Side Frame (C) to the other side of Cross Bar (H) & Cross Bar (I) with Bolt (O), then fasten by Allen Key (R).






6 Assemble the Cross Bar (G) to Side Frame (C) with Bolt (O), then fasten by Allen Key (R).

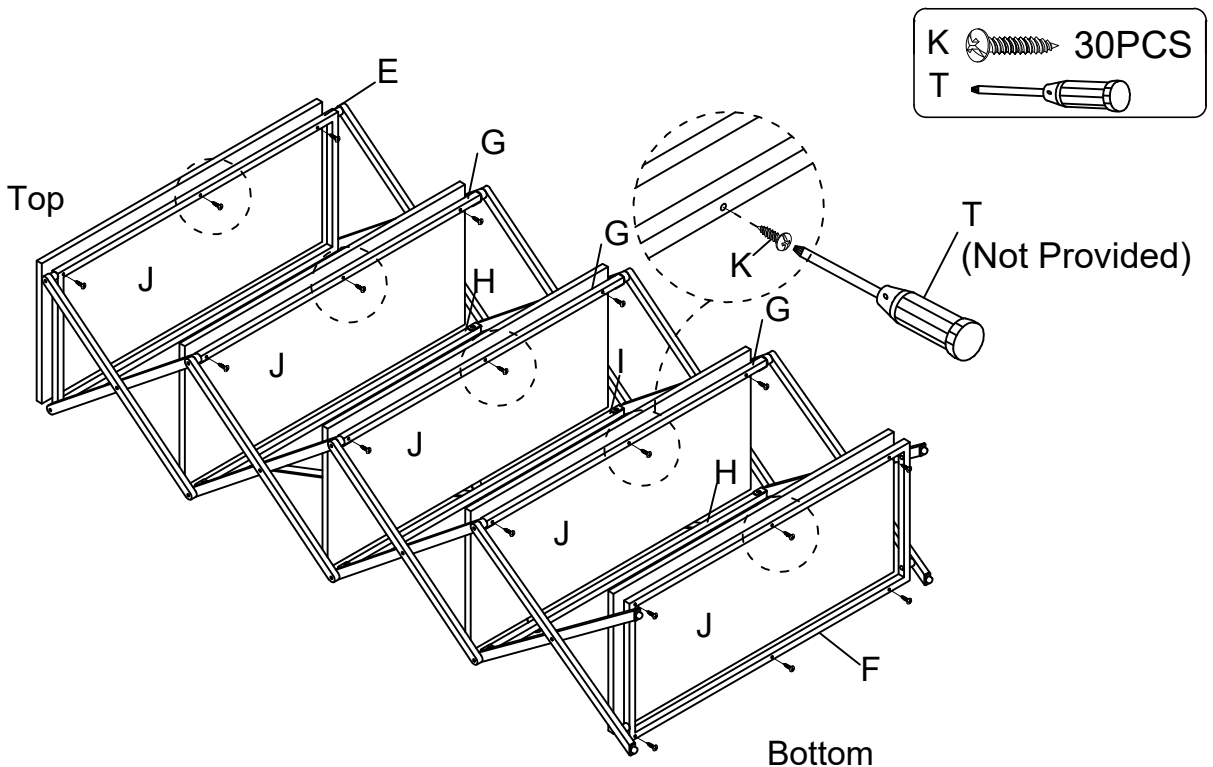




7 Assemble the Top Frame (E) to the top one of Side Frame (C) with Bolt (M) & Bolt (N), then fasten by Allen Key (R).



- M  2PCS
- N  2PCS
- R 

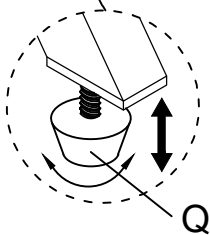
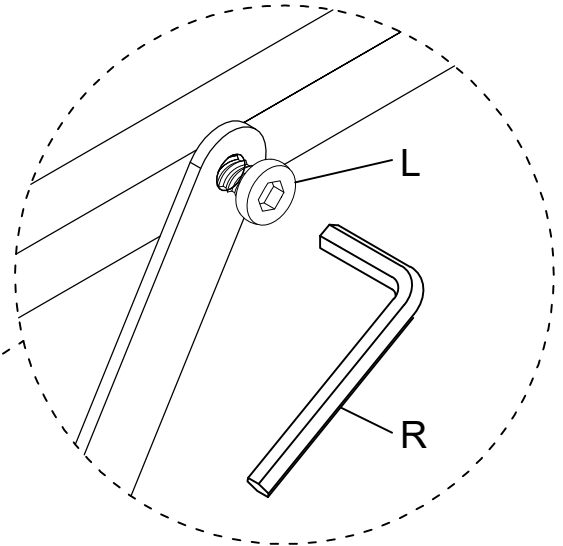
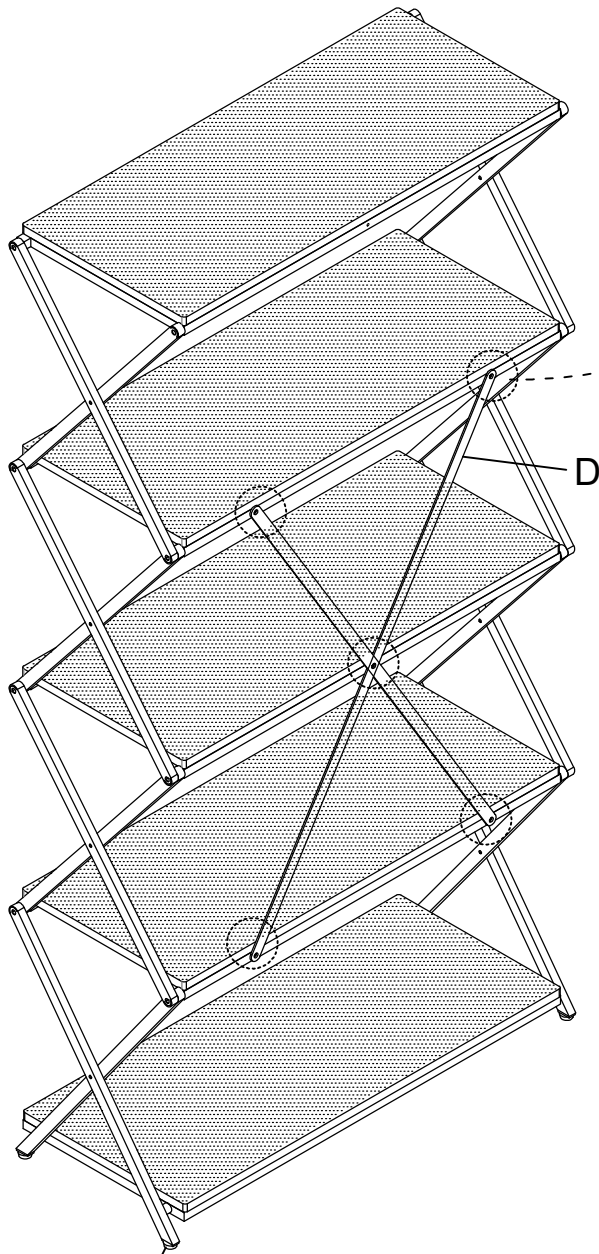
8 Assemble the Shelf Board (J) to Top Frame (E), Bottom Frame (F), Cross Bar (G), Cross Bar (H) & Cross Bar (I), using Screw (K) to fasten by Screwdriver (T).



- K  30PCS
- T 

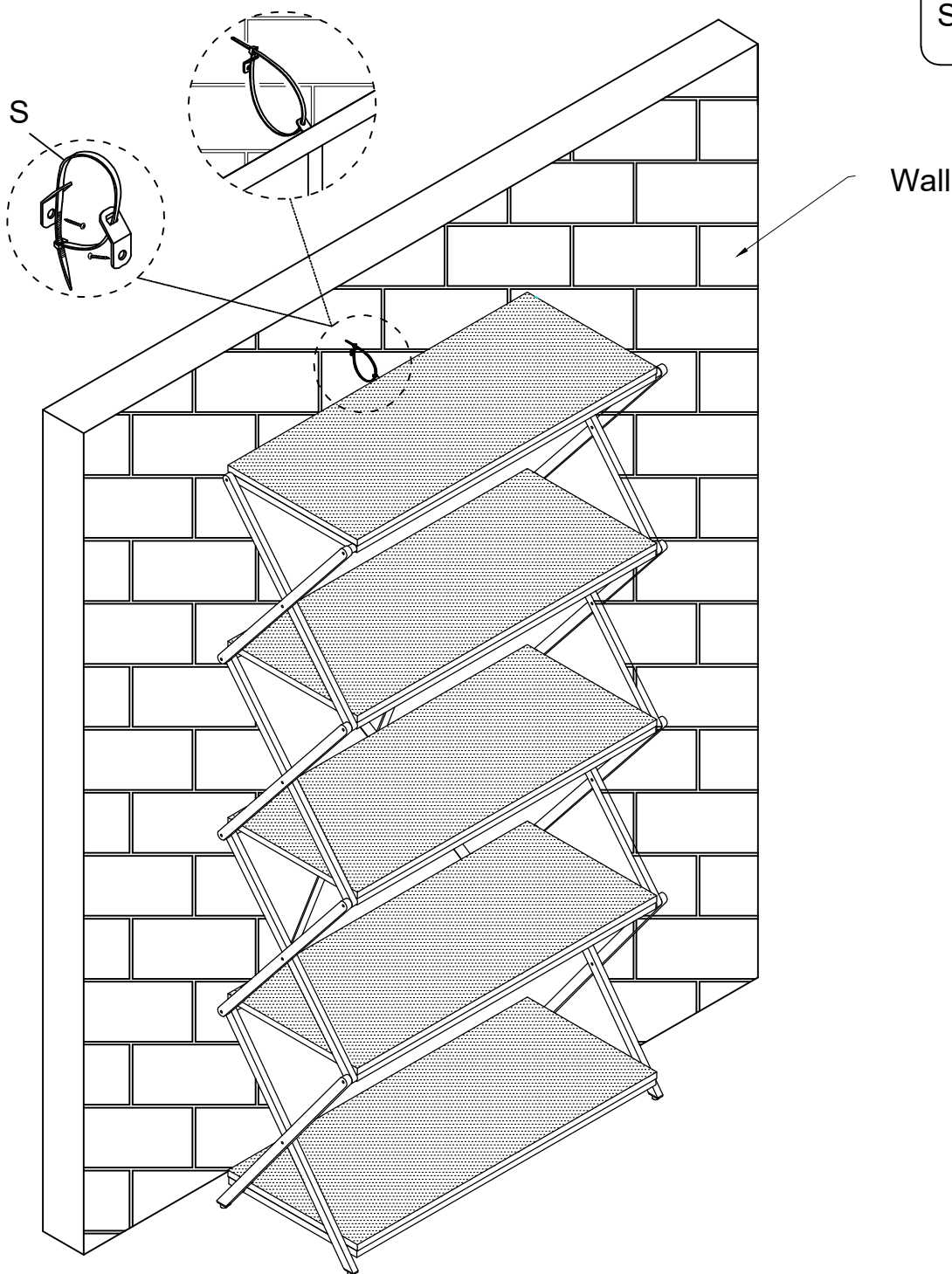
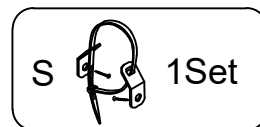
T
(Not Provided)

9 Tighten the Bolt (L) on back Cross Bar (D). Adjust any parts out of alignment and tighten all bolts and screws from steps 1 through 9.



Remark: If there is any gap between the legs and ground, please adjust the levelers (Q) until it reaches the ground.

10 Remark: there is a tip restraint kit provided on the back of this product. Please read the instruction thoroughly and install immediately when placed in home. To prevent tip over, the product must be attached to the wall.



Cleaning & Care

Treat surface with care. Surface is resistant to scratches but is not scratch resistant. Clean surfaces with a dry or damp soft cloth. Do not use abrasive cleaners. Hardware may loosen over time. Periodically check that all connections are tight.