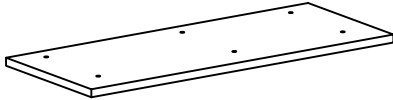


ASSEMBLY INSTRUCTION

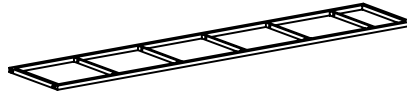
58"W BOOKCASE

A Shelf



5PCS

B Side Frame



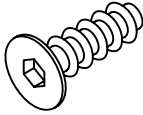
3PCS

C Cross Bar



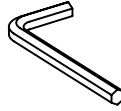
2PCS

D Bolt
1/4", 3/4"



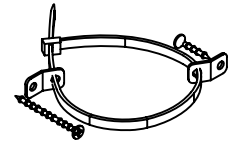
36PCS

E Allen Wrench
4mm

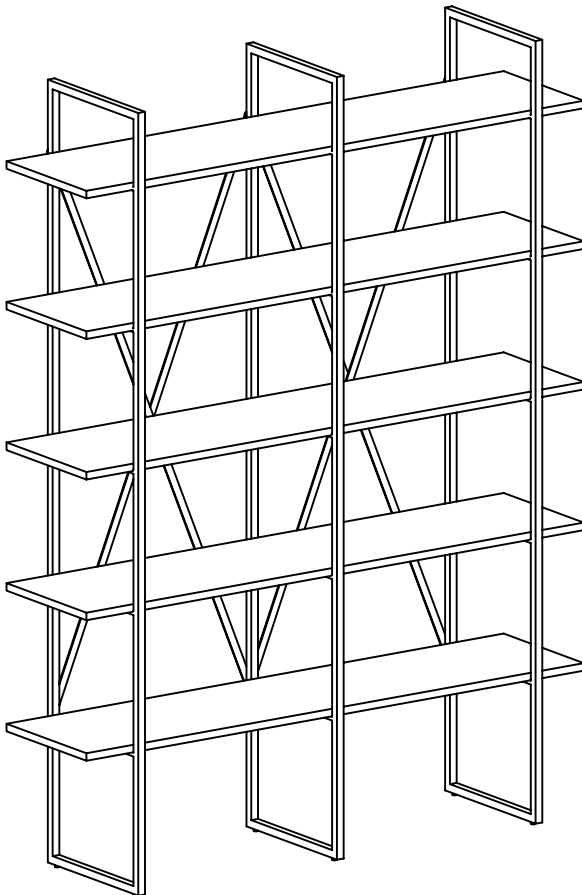


1PC

F Tip Restraint Kit

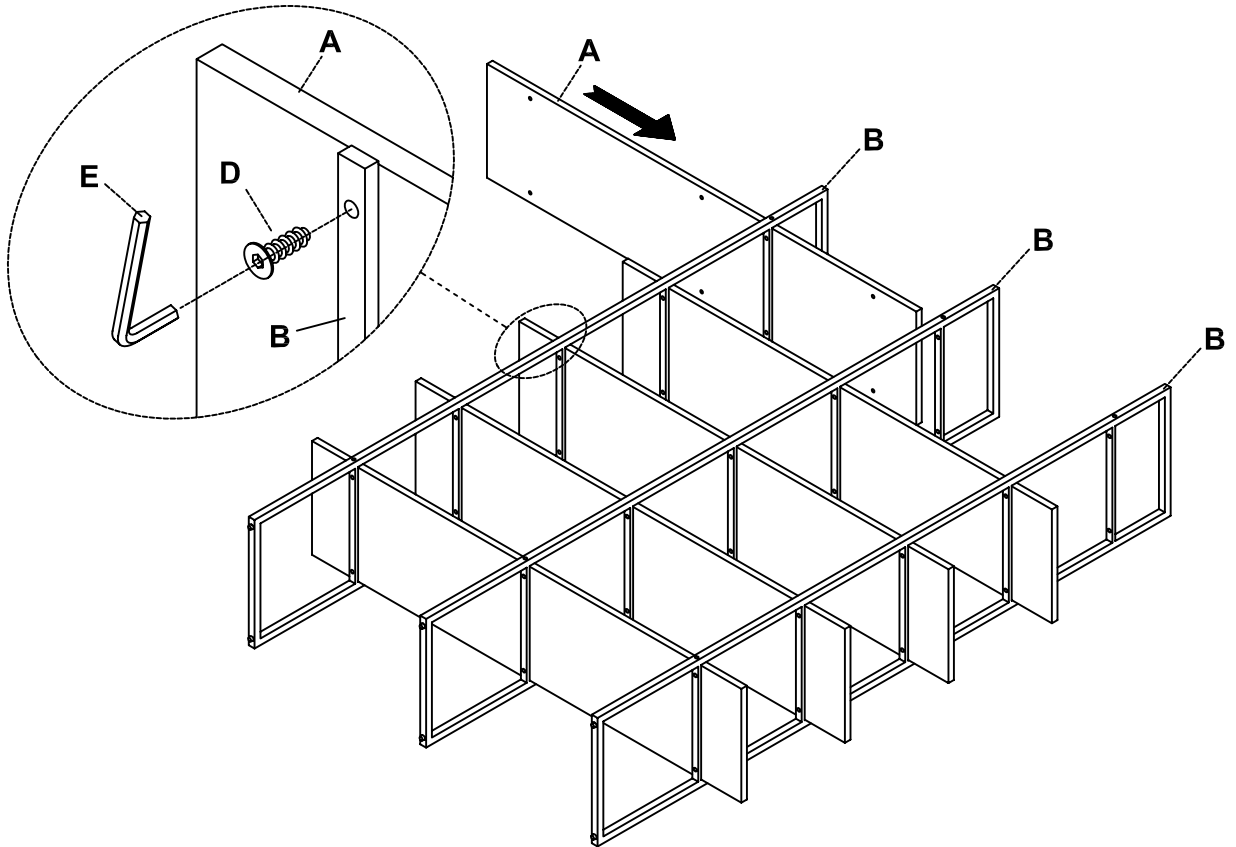


1PC

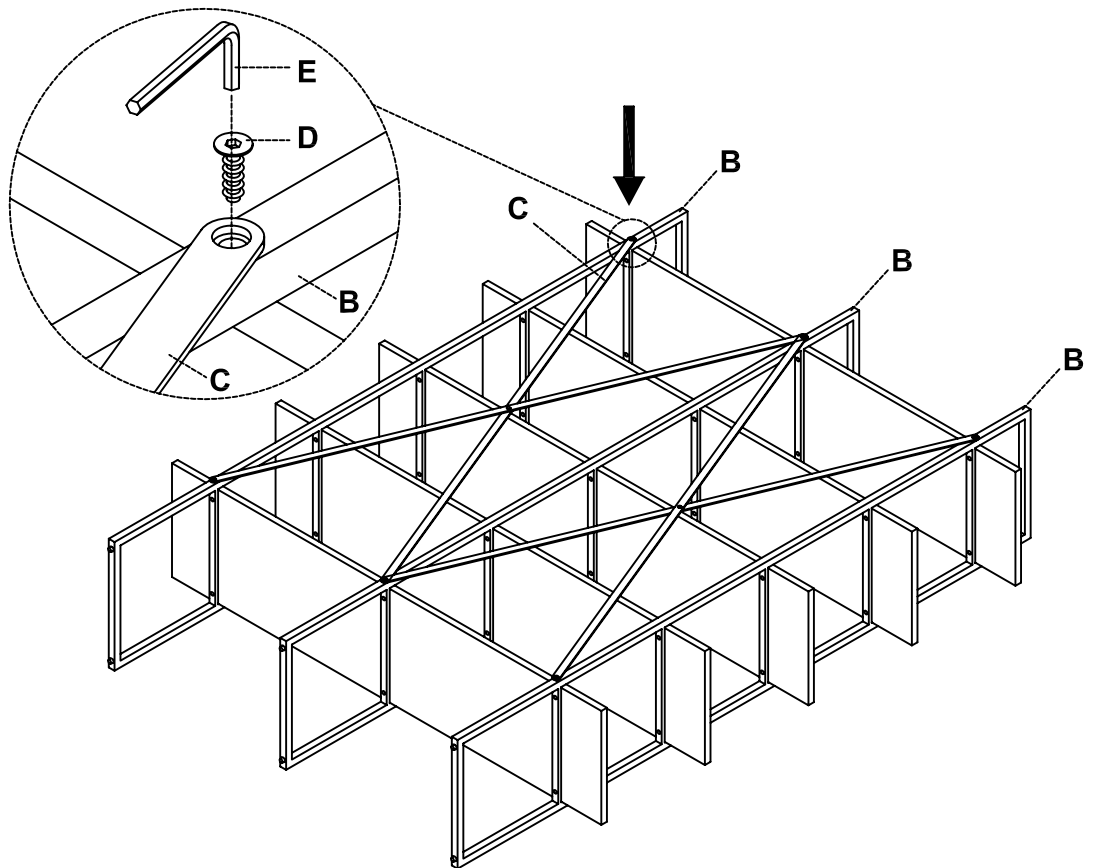


This page lists all the contents included in the box. Please take the time to identify the hardware as well as the individual components to this product. As you unpack and prepare for assembly, place the contents on a carpeted or padded area to protect them from damage.

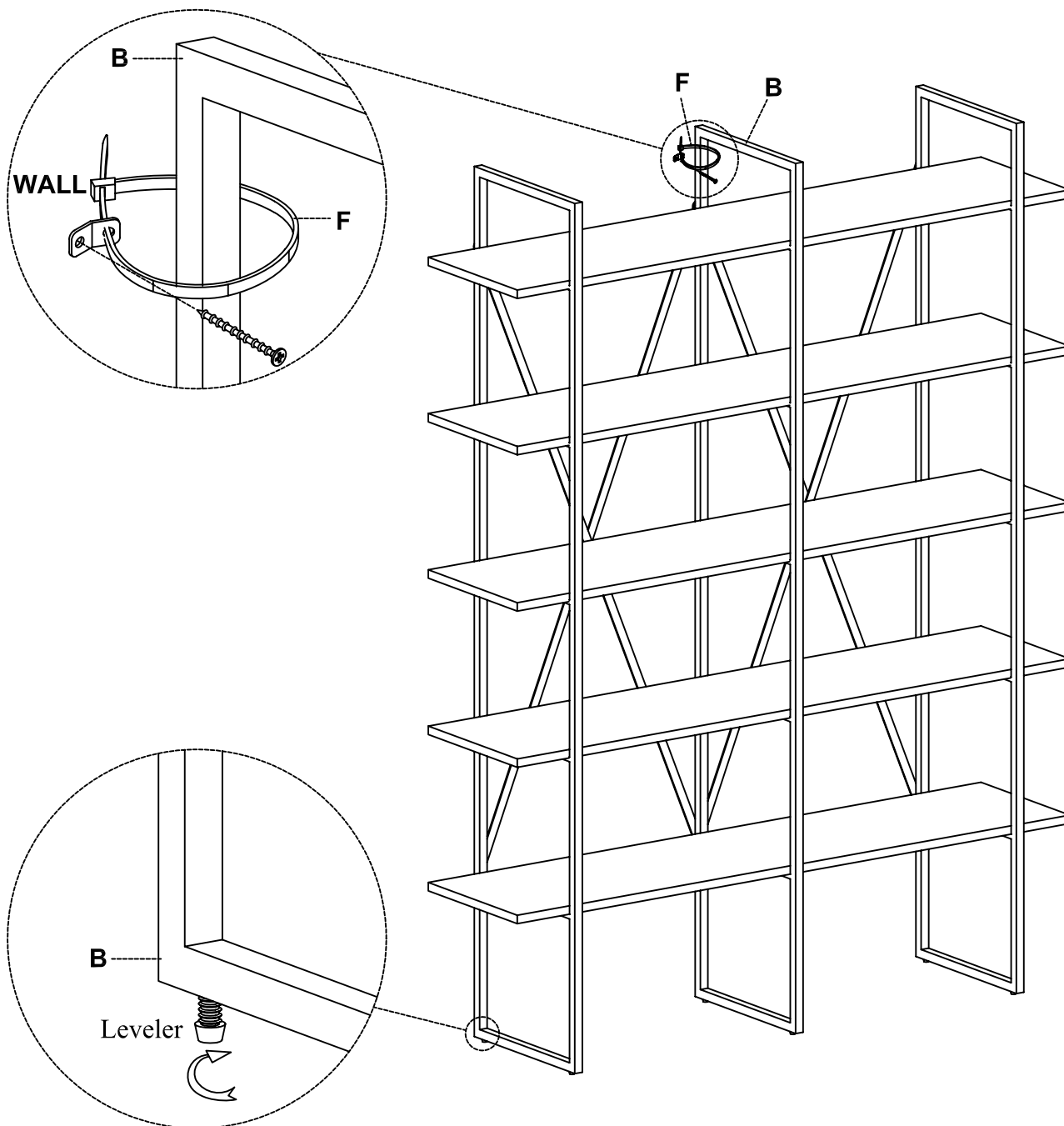
1 Assemble the Shelf (A) onto the Side Frame (B) and using the Bolt (D) by Allen Wrench (E) .



2 Assemble the Cross Bar (C) onto the Side Frame (B) and using the Bolt (D) by Allen Wrench (E) .



- 3** Assemble the Tip Restraint Kit (F) between the Side Frame (B) and the wall. Then through the leveler on the bottom of Side Frame (B) to reach the aim of keeping balance of the product .



Cleaning & Care

Treat surface with care. Surface is resistant to scratches but is not scratch resistant. Clean surface with a dry or damp soft cloth. Do not use abrasive cleaners. Hardware may loosen over time. Periodically check that all connections are tight.