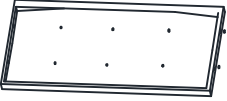
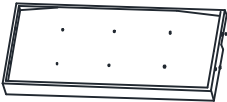

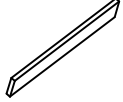

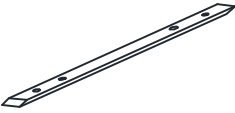




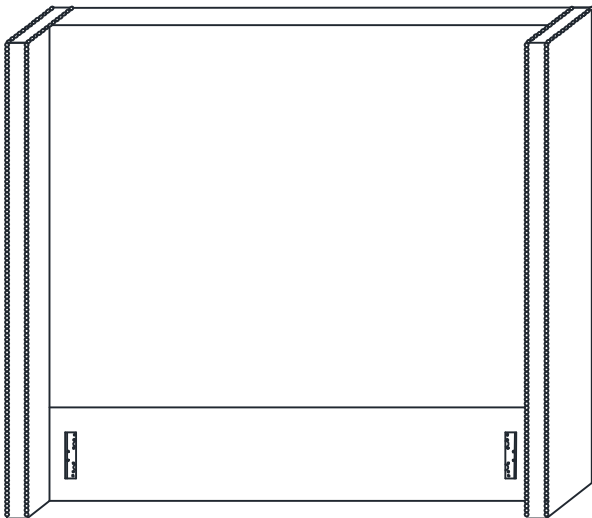


ASSEMBLY INSTRUCTION

65" EASTERN KING HEADBOARD

A Upper Part of Headboard  1pc	B Lower Part of Headboard  1pc	C Left Side Panel  1pc	D Right Side Panel  1pc	E Single-Sided Cover (In other carton)  1pc
F Slate  3pcs	G Bolt 1/4" x 50mm  20pcs	H Flat Washer 1/4"  20pcs	I Lock Washer 1/4"  20pcs	J Allen Wrench 1/4"  1pc

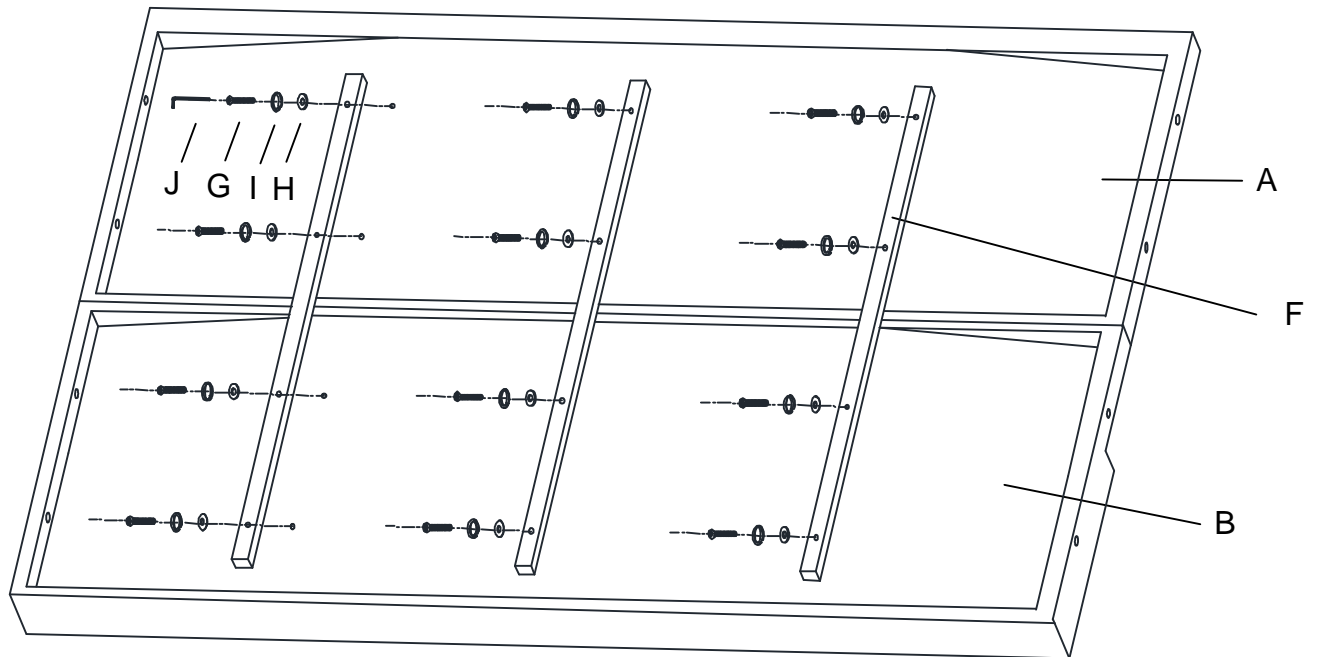


This page lists all the contents included in the box. Please take the time to identify the hardware as well as the individual components to this product. As you unpack and prepare for assembly, place the contents on a carpeted or padded area to protect them from damage.

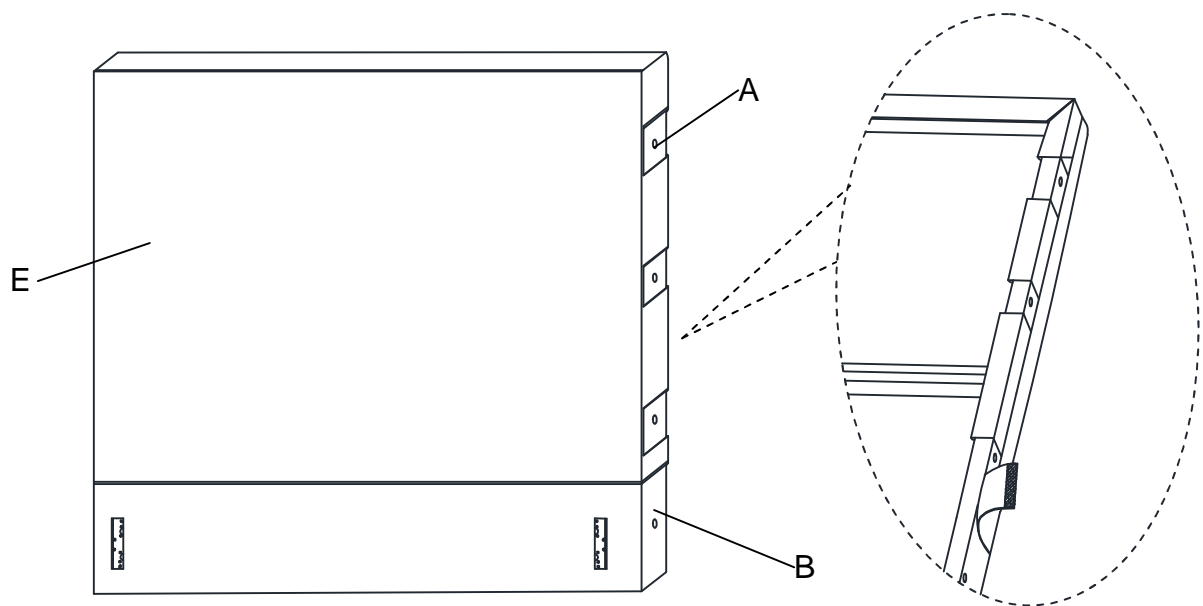
Notice: This product need more than 2 people to assemble it.

1

Attach Upper Part of Headboard (A) to Lower Part of Headboard (B) with Bolt (G), Lock Washer (I) and Flat Washer (H) on holes of Slates (F). Turn the Allen Wrench (J) in Bolt (G).

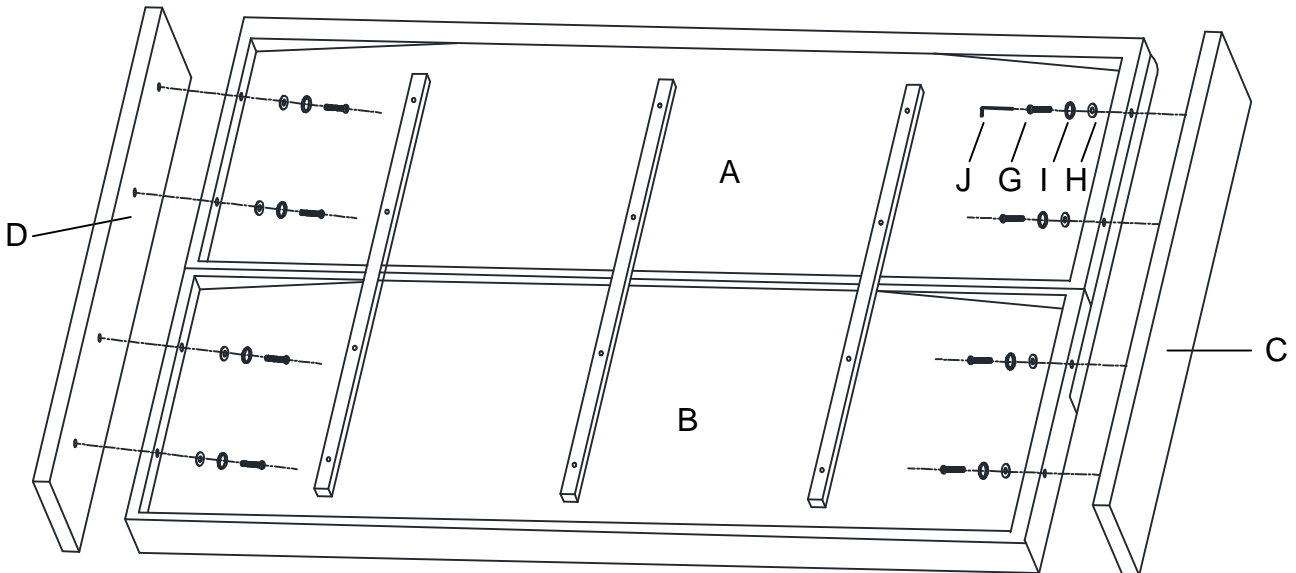
**2**

Put Single-Sided Cover (E) on the front of Headboard (A) & (B). Then stick the velcro at the back of Headboard (A) & (B).



3

Attach Left Side Panel (C) & Right Side Panel (D) to the Headboard (A) & (B) with Bolt (G), Lock Washer (I) and Flat Washer (H). Turn the Allen Wrench (J) in Bolt (G).

**Helpful Tip:**

- After assembly, if fabric is not smooth or wrinkled, please iron it.

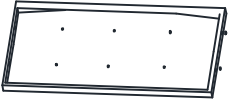
Cleaning & Care

Treat surface with care. Surface is resistant to scratches but is not scratch resistant. Clean surfaces with a dry or damp soft cloth. Do not use abrasive cleaners. Hardware may loosen over time. Periodically check that all connections are tight.

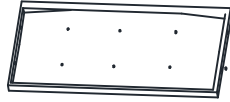
ASSEMBLY INSTRUCTION

84" EASTERN KING HEADBOARD

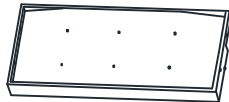
- A** Upper Part of Headboard **B** Middle Part of Headboard **C** Lower Part of Headboard **D** Left Side Panel **E** Right Side Panel



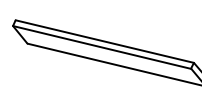
1pc



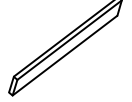
1pc



1pc



1pc

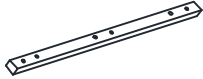


1pc

- F** Single-Sided Cover (In other carton) **G** Slate **H** Bolt 1/4" x 50mm **I** Flat Washer 1/4" **J** Lock Washer 1/4"



1pc



3pcs



30pcs



30pcs

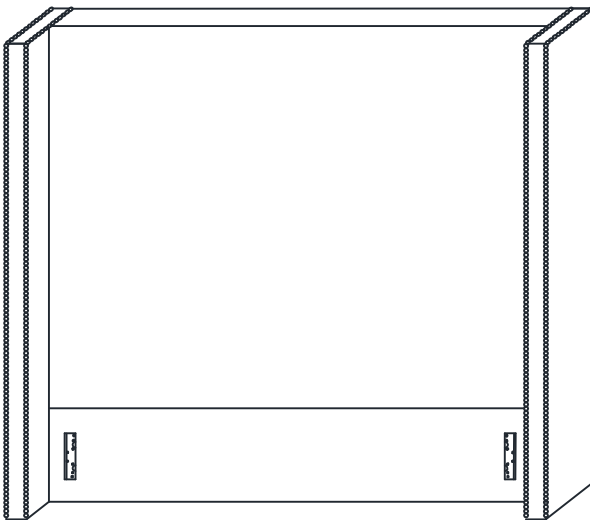


30pcs

- K** Allen Wrench 1/4"



1pc

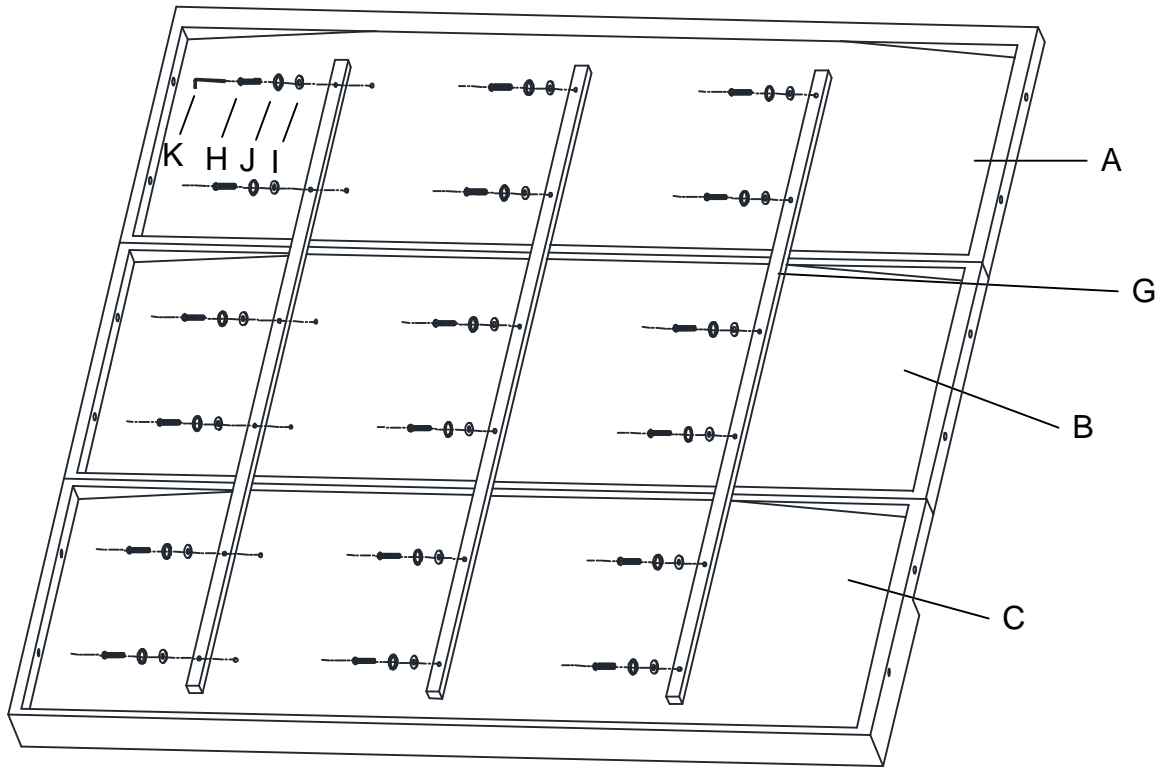


This page lists all the contents included in the box. Please take the time to identify the hardware as well as the individual components to this product. As you unpack and prepare for assembly, place the contents on a carpeted or padded area to protect them from damage.

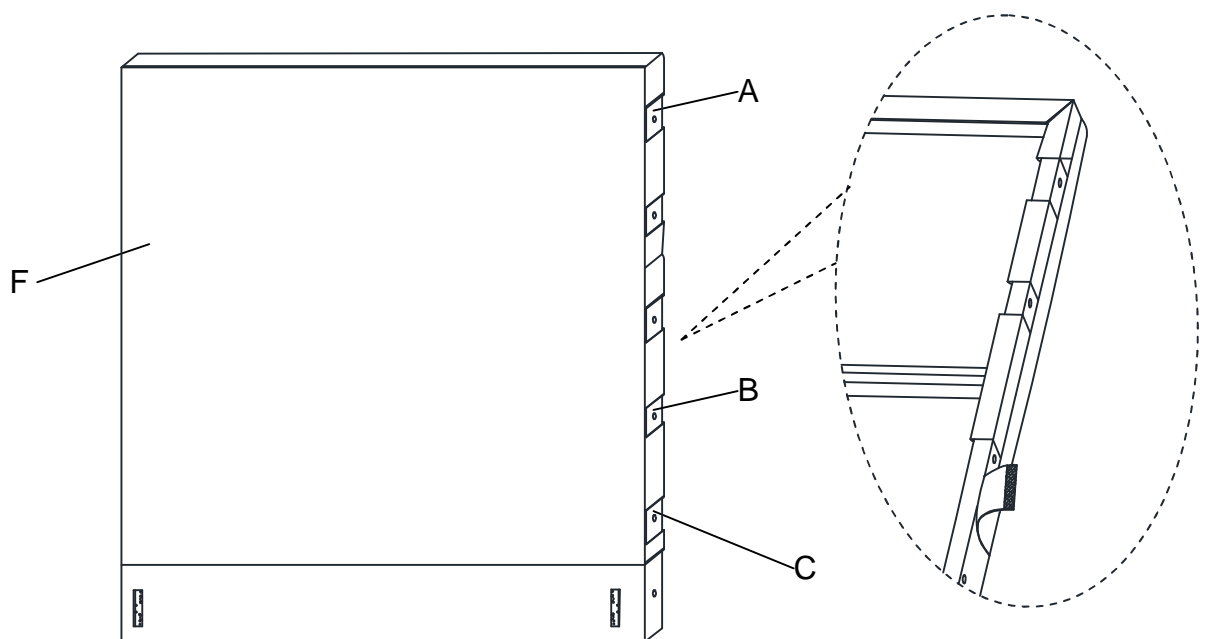
Notice: This product need more than 2 people to assemble it.

1

Attach Upper Part of Headboard (A) & Middle Part of Headboard (B) & Lower Part of Headboard (C) together with Bolt (H), Lock Washer (J) and Flat Washer (I) on holes of Slates (G). Turn the Allen Wrench (K) in Bolt (H).

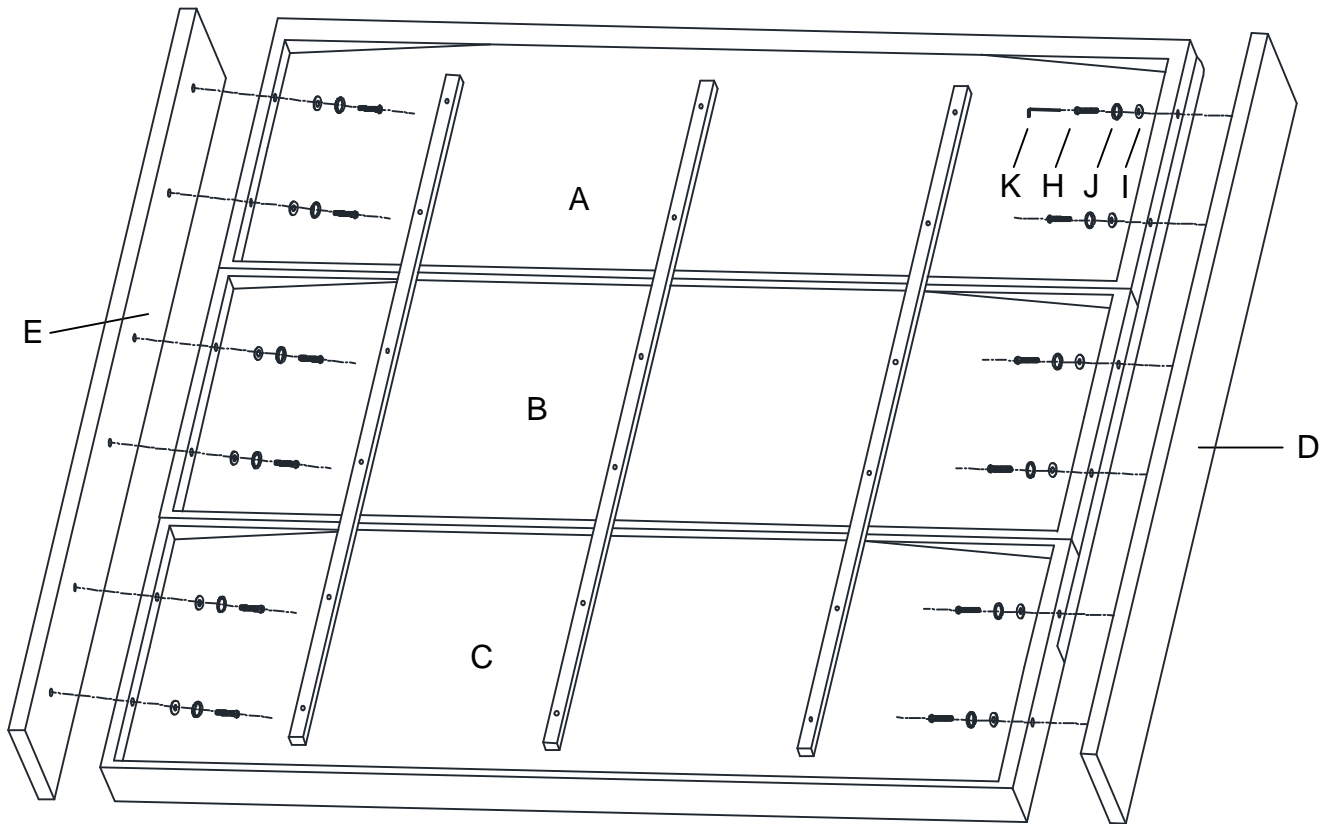
**2**

Put Single-Sided Cover (F) on the front of Headboard (A) & (B) & (C). Then stick the velcro at the back of Headboard (A) & (B) & (C).



3

Attach Left Side Panel (D) & Right Side Panel (E) to the Headboard (A) & (B) & (C) with Bolt (H), Lock Washer (J) and Flat Washer (I). Turn the Allen Wrench (K) in Bolt (H).



Helpful Tip:

- After assembly, if fabric is not smooth or wrinkled, please iron it.

Cleaning & Care

Treat surface with care. Surface is resistant to scratches but is not scratch resistant. Clean surfaces with a dry or damp soft cloth. Do not use abrasive cleaners. Hardware may loosen over time. Periodically check that all connections are tight.