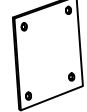
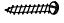
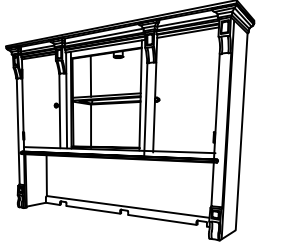


HEKMAN[®]

X A HOWARD MILLER COMPANY

79402 & 79422 EXECUTIVE DECK

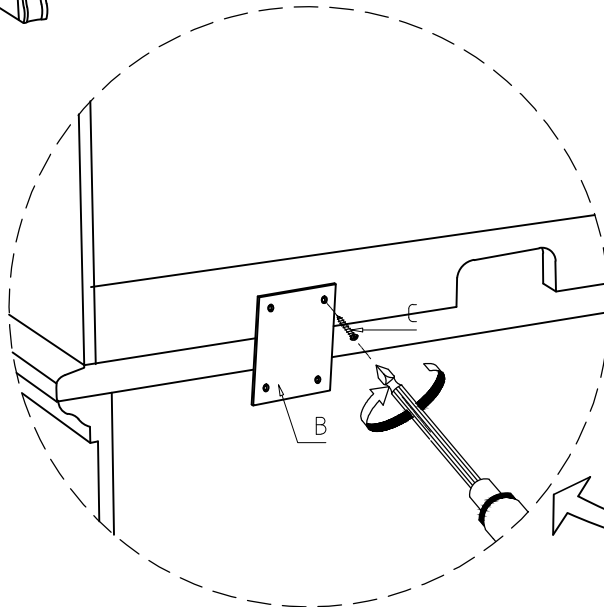
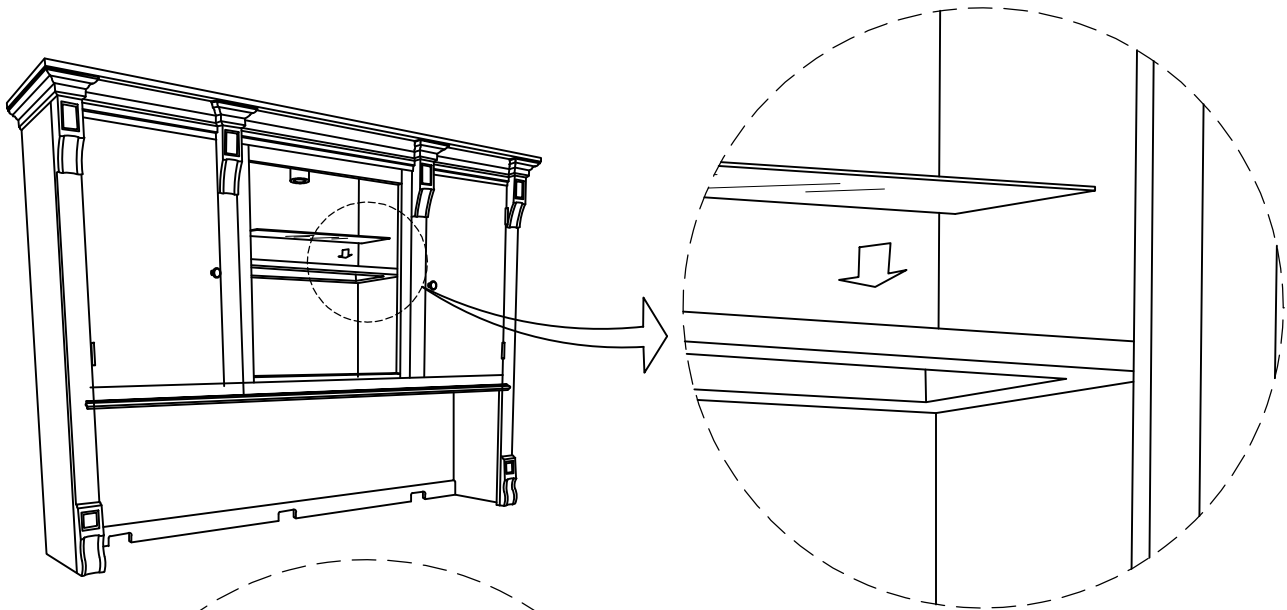
HARDWARE LIST	
A	B
MENDING PLATE □ □ P □ □ □	SCREW Ø8 X 3/4" □ □ P □ □ □
	



STEP 1.

Assembly Instruction

THE REVERSABLE GLASS SHELF.



STEP 2

PLACE DECK ON TOP OF CREDENZA THEN ALIGN AND HAND TIGHTEN MENDING PLATE (A) USING SCREW (B) WITH SCREW DRIVER (NOT INCLUDED).

