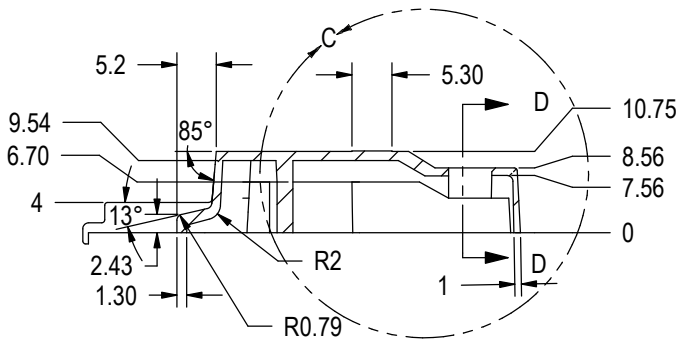
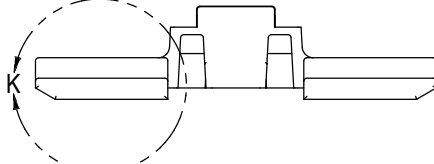


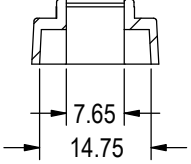
SECTION H-H



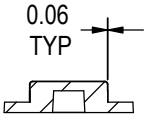
SECTION A-A



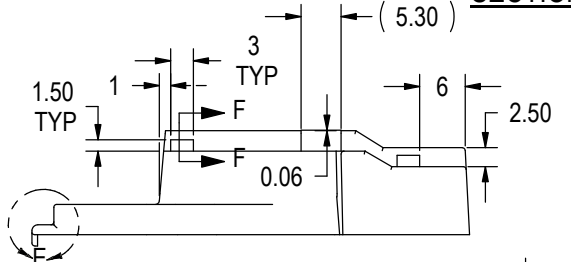
SECTION J-J



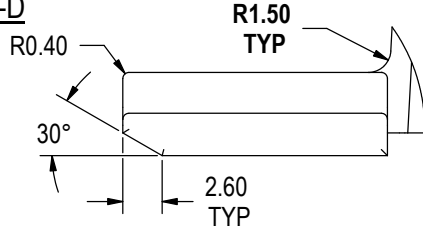
SECTION D-D



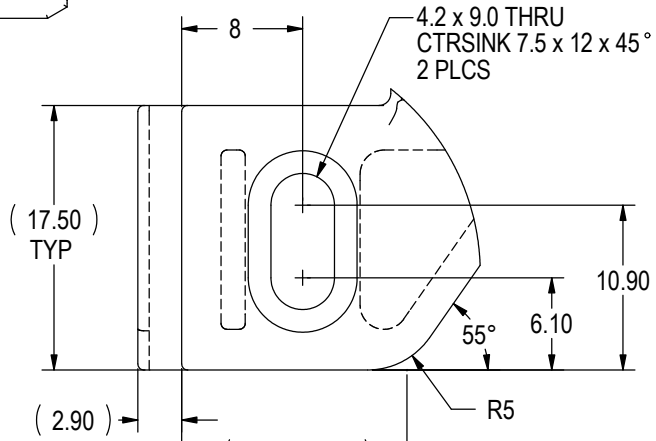
SECTION F-F



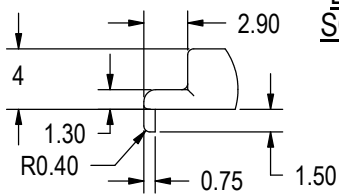
SECTION E-E



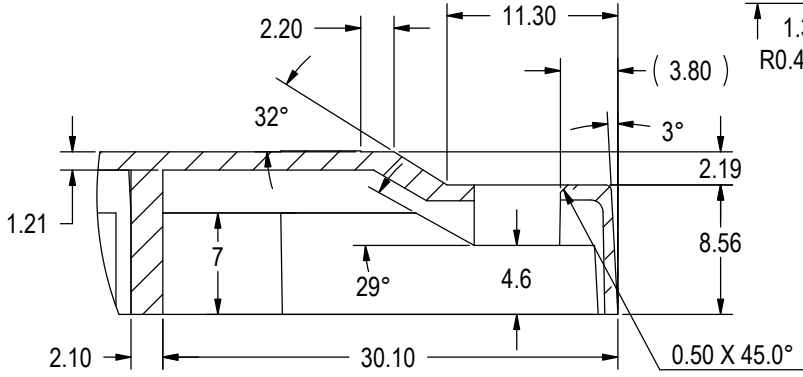
**DETAIL K
SCALE 2:1**



**DETAIL B
SCALE 2:1**



**DETAIL E
SCALE 2:1**



**DETAIL C
SCALE 2:1**

DRAWN BY: D. JOHNSON SCALE: 1:1 DATE: 06/26/03

HARDWARE RESOURCES

4319 MARLENA ST, BOSSIER CITY, LA 71111

PART NAME: 3mm FACE FRAME M PLATE

MATERIAL: ZINC

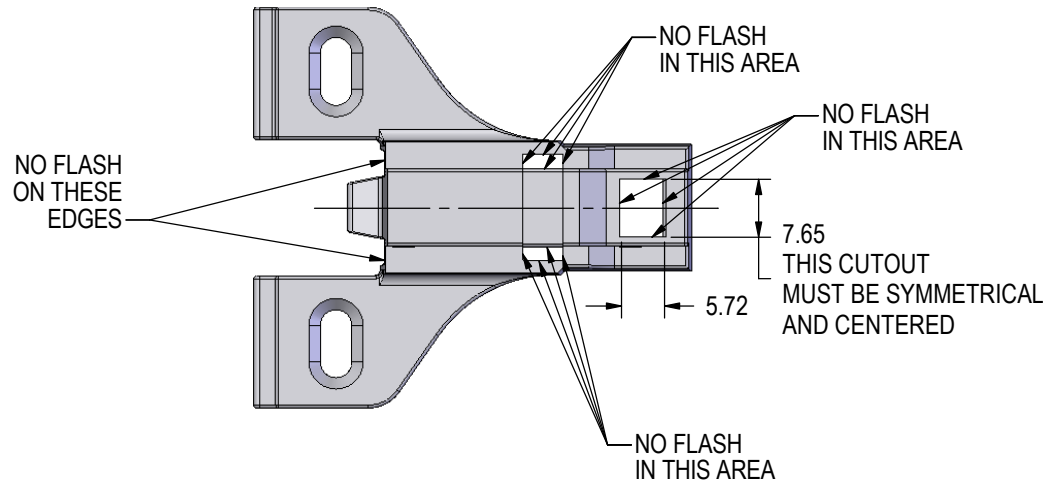
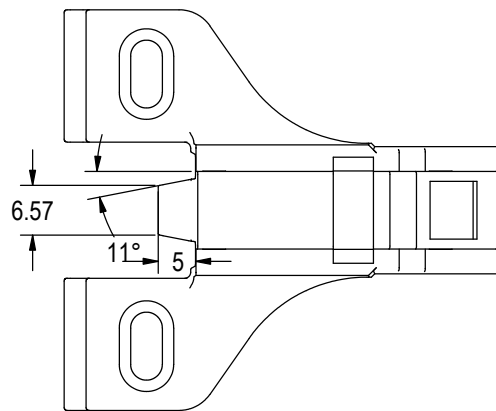
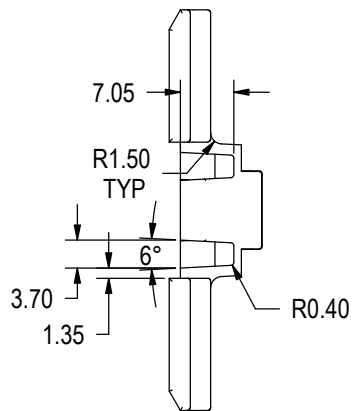
ITEM NO: 400.3454.65

PLATING:

TOLERANCES
UNLESS OTHERWISE SPECIFIED
DIMENSIONS AND TOLERANCING
ARE IN MILLIMETERS (INCHES)

.X ±.1
.XX ±.03
.XXX ±.005

SHT NO. 1 OF 2 REV: A 04/20/04



SHT NO. 2 OF 2
REV: A 04/20/04

DRAWN BY: D. JOHNSON
SCALE: 1 : 1
DATE: 06/26/03

TOLERANCES

UNLESS OTHERWISE SPECIFIED
DIMENSIONS AND TOLERANCING
ARE IN MILLIMETERS (INCHES)

.X ±.1
.XX ±.03
.XXX ±.005

HARDWARE RESOURCES

4319 MARLENA ST, BOSSIER CITY, LA 71111

PART NAME: 3mm FACE FRAME M PLATE

MATERIAL: ZINC

ITEM NO: 400.3454.65

PLATING: