

HEKMAN®

A HOWARD MILLER COMPANY

24863 SINGLE DRAWER NIGHT STAND

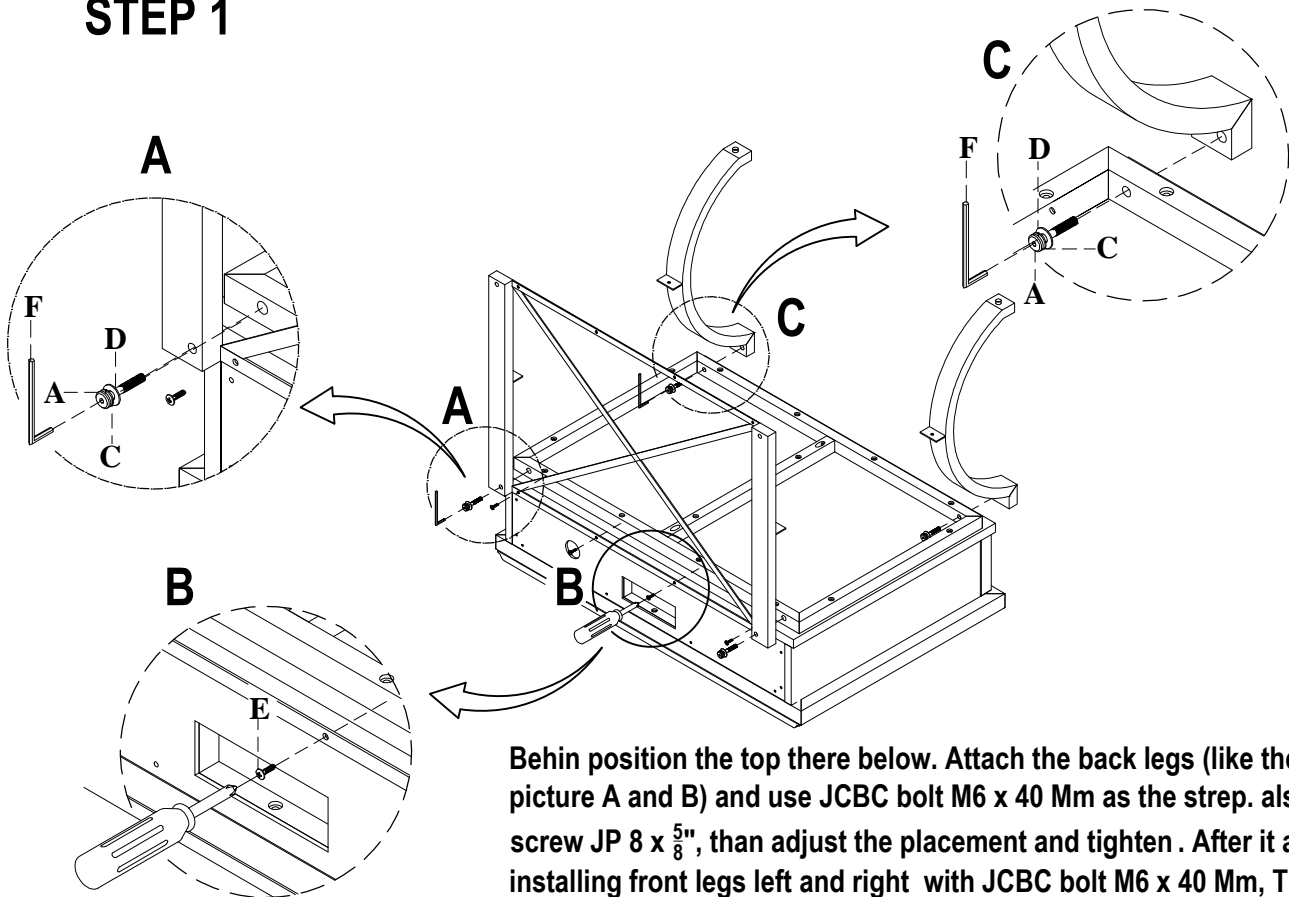
Part List

1	2	3	4	5	
TOP NIGHT STAND 1 Pc	FRONT LEG LEFT & RIGHT 2 Pcs	BACK LEG 1 Pc	MIDLE SHELF 1 Pc	BASE 1 Pc	

Hardware list

A	B	C	D	E	F
BOLT M6 x 40 6 PCS.	BOLT M6 x 80 2 PCS.	SPRING W. M6X13 8 PCS.	PLATE WASHER M6 X16 (8 PCS.)	SCREW JP 8 X $\frac{5}{8}$ " 12 Pcs	ALLEN KEY L4 (FOR ALLEN BOLT) 1 PC.

STEP 1



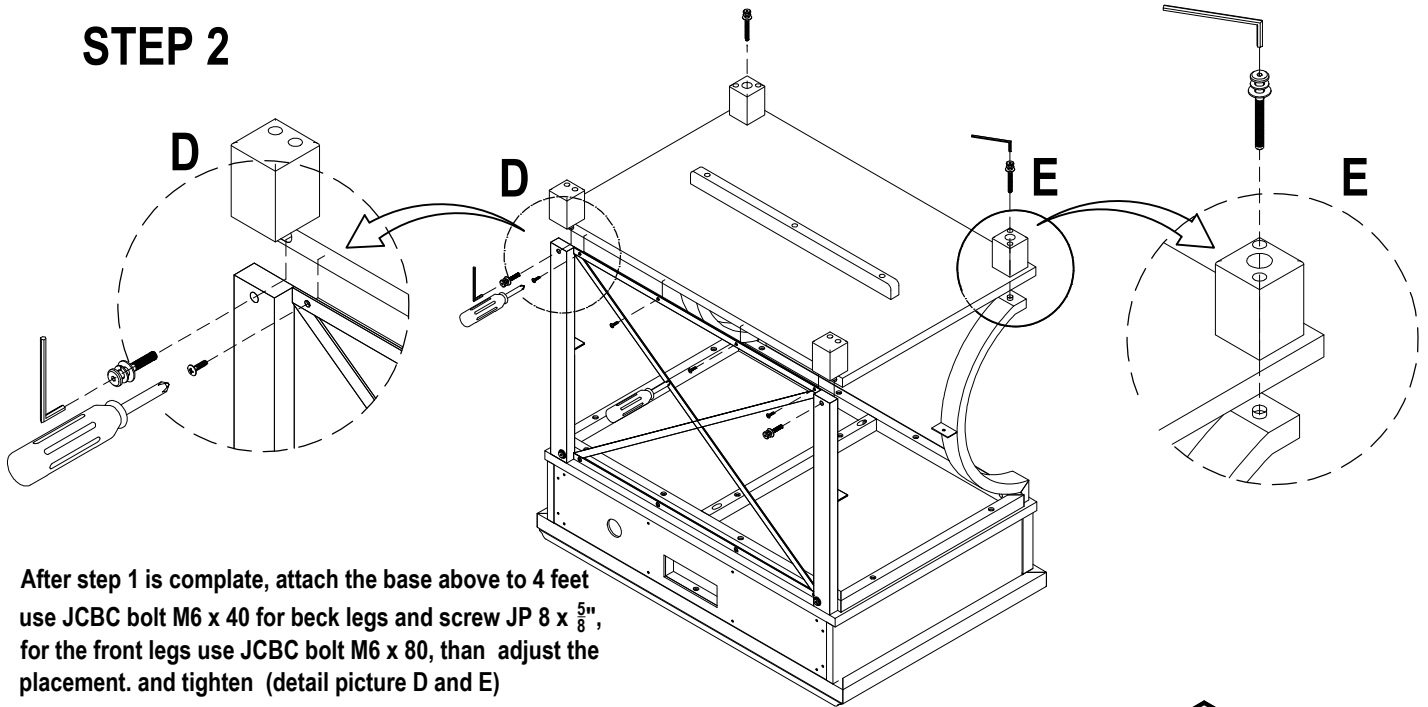
Behin position the top there below. Attach the back legs (like the picture A and B) and use JCBC bolt M6 x 40 Mm as the strep. also screw JP 8 x $\frac{5}{8}$ " , than adjust the placement and tighten . After it also installing front legs left and right with JCBC bolt M6 x 40 Mm, Than adjust the placement and thigten like back legs (picture C).

HEKMAN®

A HOWARD MILLER COMPANY

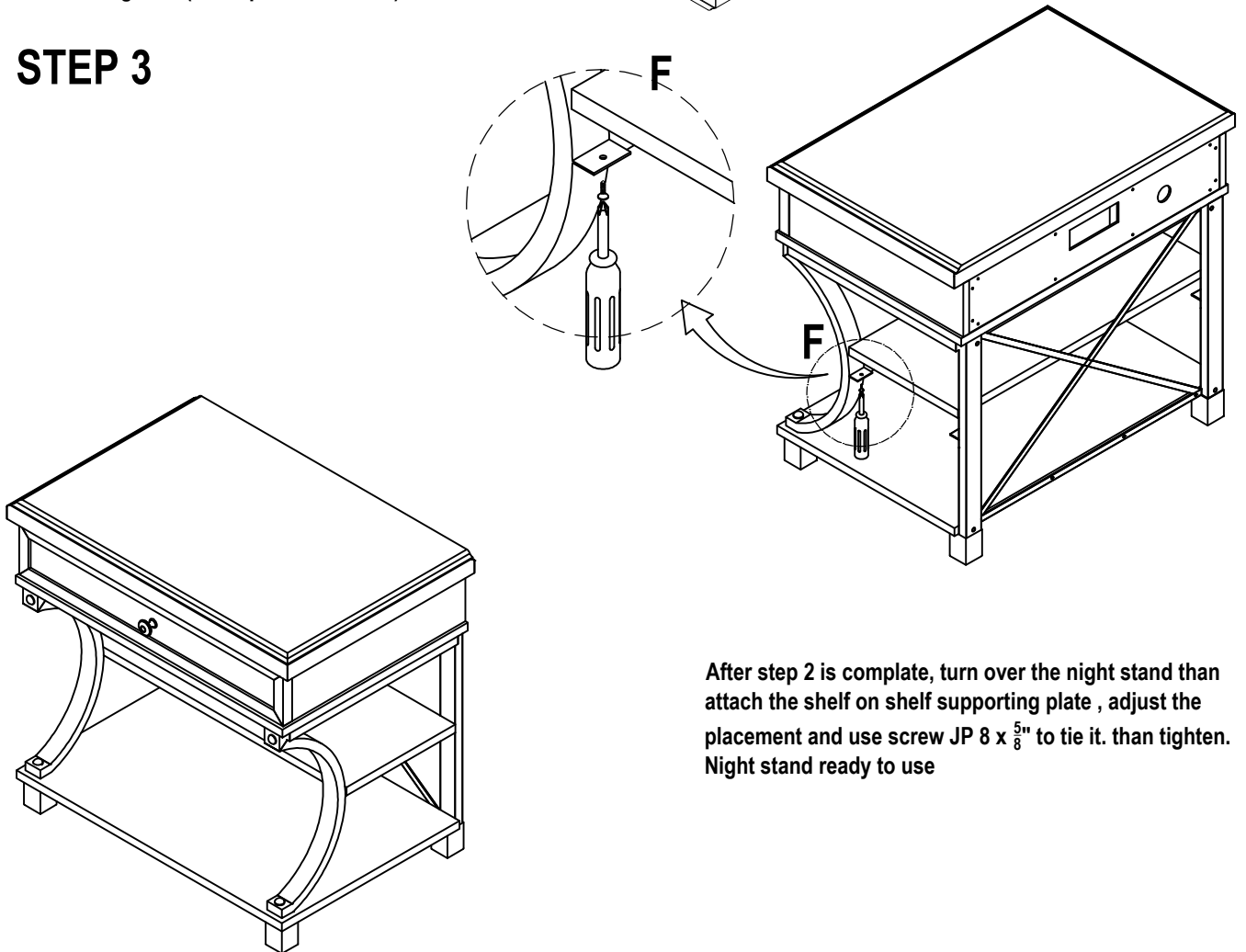
24800 RECTANGULAR COFFEE TABLE

STEP 2



After step 1 is complete, attach the base above to 4 feet use JCBC bolt M6 x 40 for back legs and screw JP 8 x $\frac{5}{8}$ ", for the front legs use JCBC bolt M6 x 80, than adjust the placement. and tighten (detail picture D and E)

STEP 3



After step 2 is complete, turn over the night stand than attach the shelf on shelf supporting plate , adjust the placement and use screw JP 8 x $\frac{5}{8}$ " to tie it. than tighten. Night stand ready to use