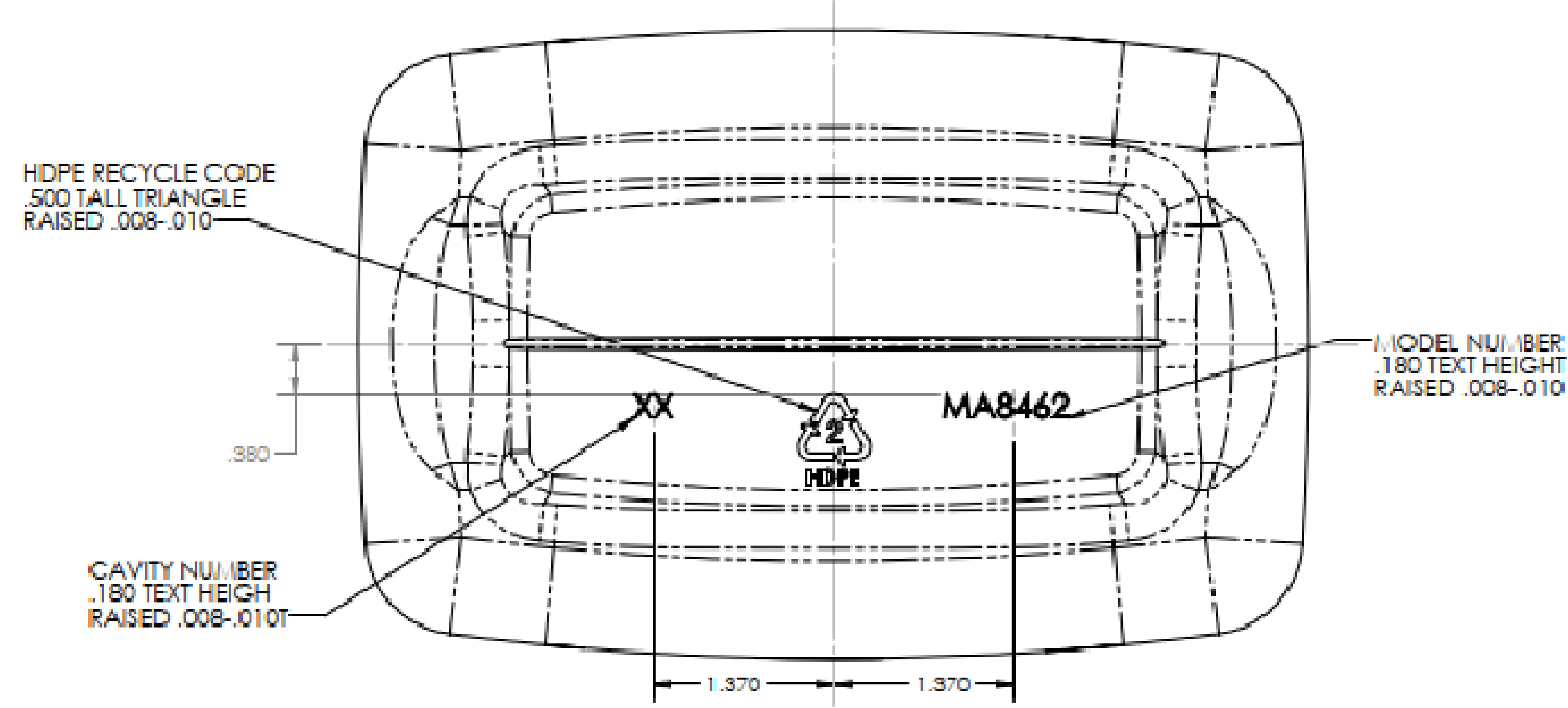
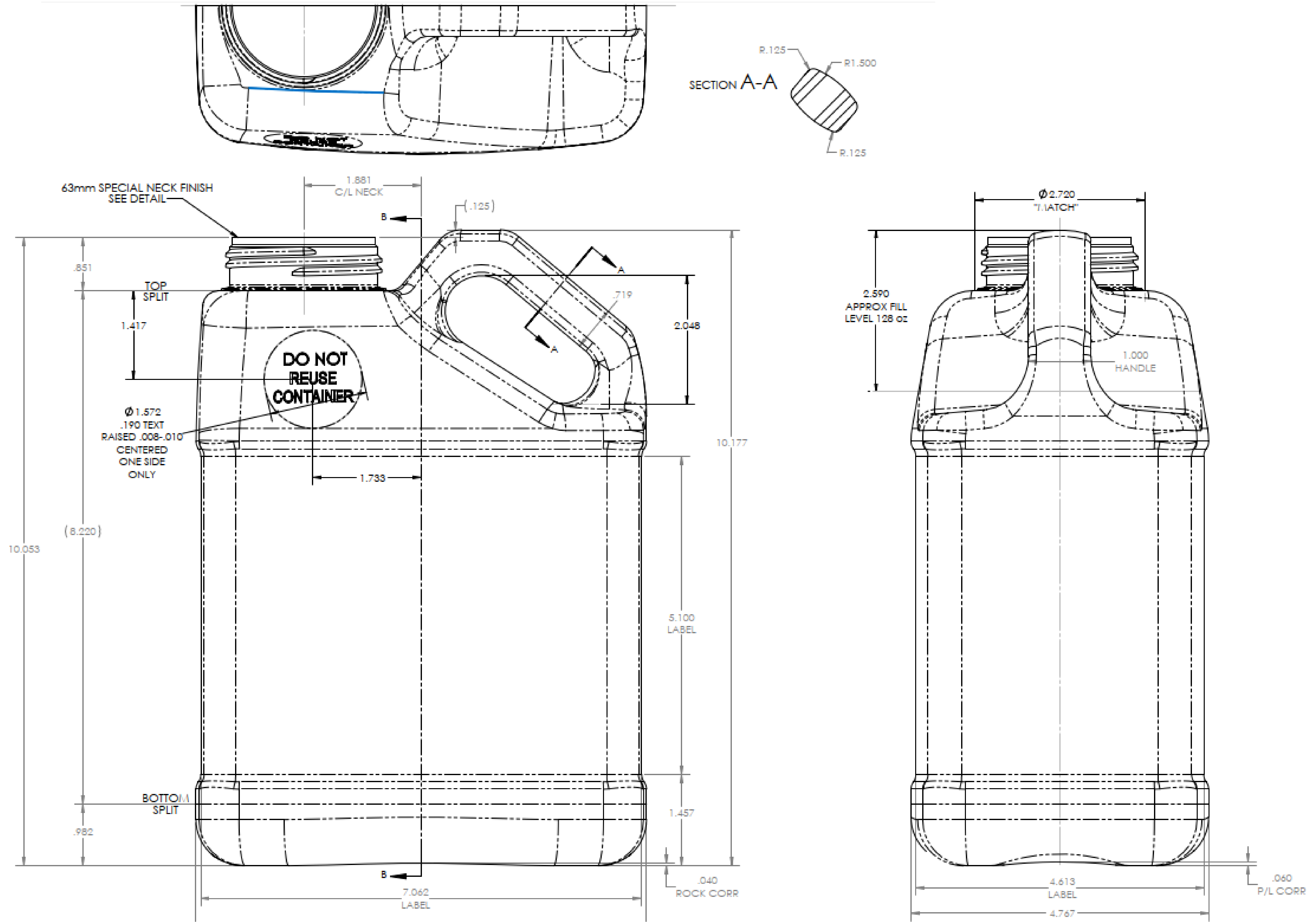


63mm SPECIAL NECK FINISH  
 THREAD NOTES:  
 1. 6 THREAD PER INCH  
 2. 2 TURNS OF FULL THREAD  
 3. "M" STYLE THREAD PROFILE  
 4. THREAD START 90° TO P/L IN PIN HALF



Container Data:	
Weight	145 grams
Fill Level Capacity	128.0 oz
Overflow Capacity	144.5 oz
Material	HDPE

Notes:  
 1) Tolerances Unless Specified:  
 Vertical -- ±.080  
 Horizontal -- ±.090  
 Volumetric -- ±1.5 oz  
 2) Bottles to be Checked Aged with 20° C water  
 3) Estimated Bulge -- 3.5 oz

**DISCLAIMER**  
 THIS INFORMATION IS PROVIDED AS A GENERAL GUIDE, INCLUDING DIMENSIONS. IT IS THE CUSTOMER'S RESPONSIBILITIES TO SELECT THE PROPER CONTAINER FOR PRODUCT AND APPLICATION COMPATIBILITY.

DISTRIBUTED BY: REF NO.: DWG31145  
 DESCRIPTION: 128 oz HDPE Squat F-Style, 63-445, 145 Gram