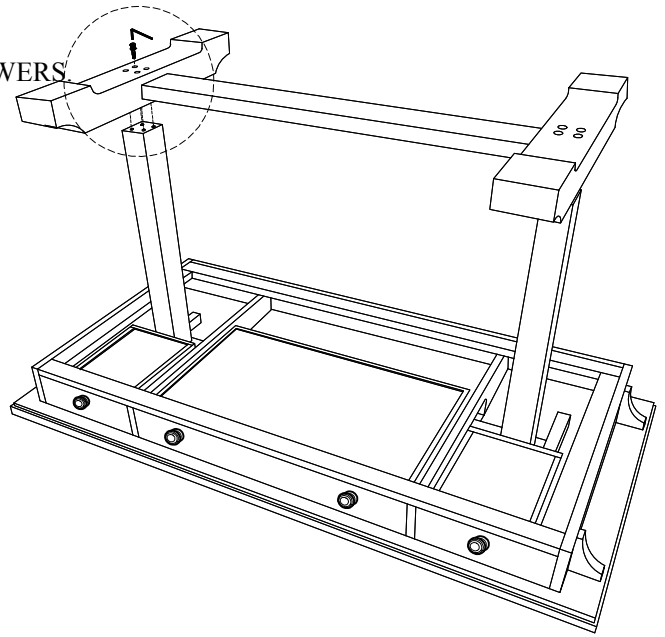
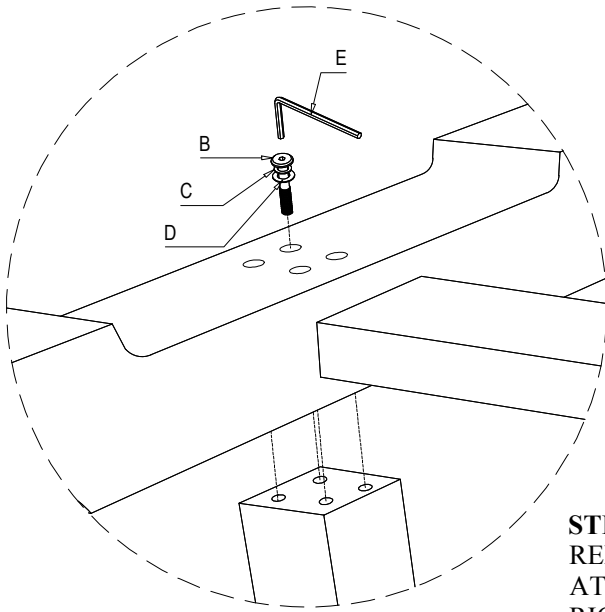


STEP 3

ALIGN WOOD LEG ASSEMBLY (3) TO THE HOLES IN THE METAL LEGS (2) AND CONNECT USING FLAT WASHER (D), SPRING WASHER (C), ALLEN BOLT (B) AND ALLEN KEY (E) PROVIDED.

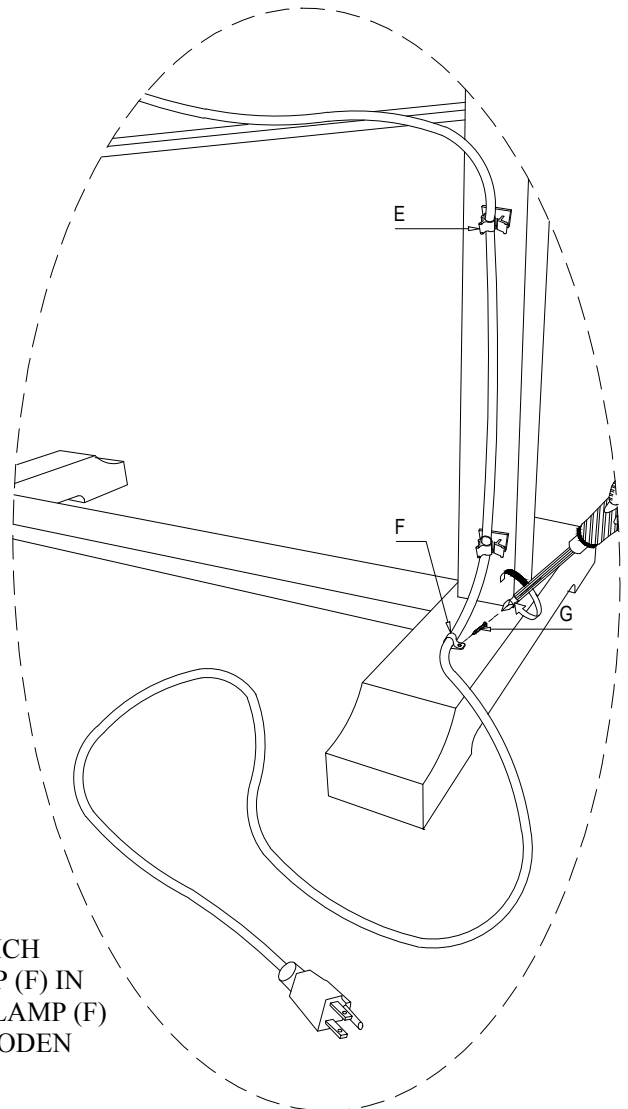
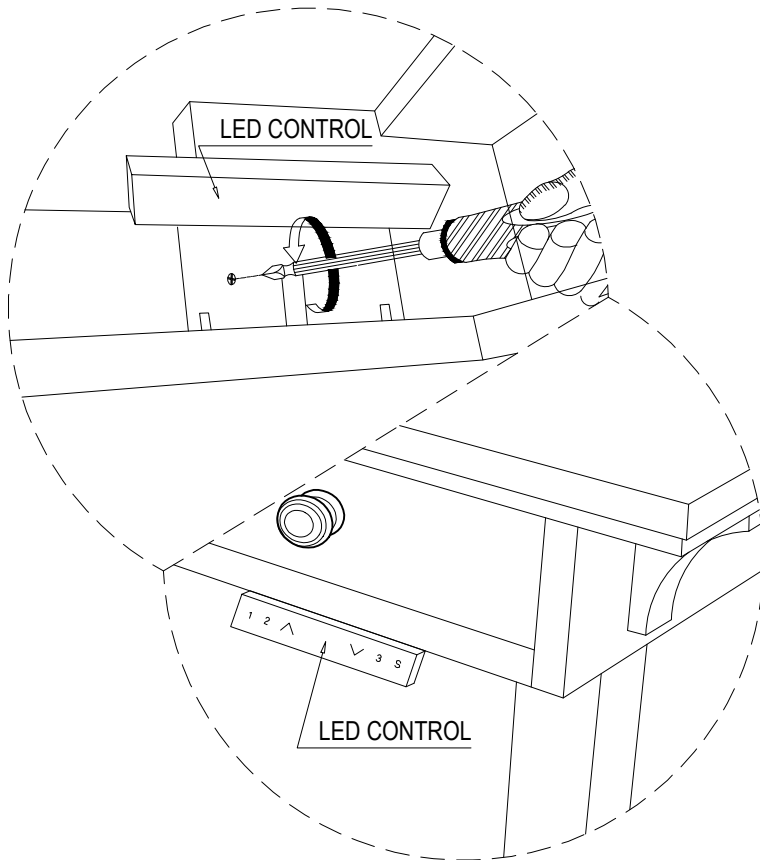
STEP 4.

SET LIFT DESK UP RIGHT AND INSTALL THE END DRAWERS



STEP 5.

REMOVE THE SCREW FROM THE LED CONTROL, AND THEN ATTACH THE LED CONTROL TO THE RAIL UNDER THE RIGHT DRAWER



STEP 6.

ALIGN THE WIRE THROUGH THE CORD CLAMP (E) WHICH PLACED IN THE METAL LEG AND NYLON CORD CLAMP (F) IN POSITION, ONCE IT IS ALIGNED TIGHTEN THE CORD CLAMP (F) AND SCREW (G) THE NYLON CORD CLAMP ON THE WOODEN FOOT.