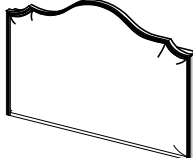
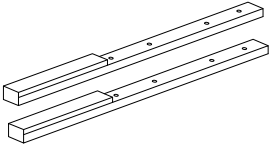
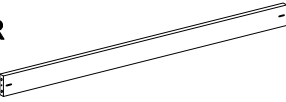
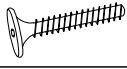

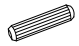
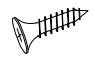



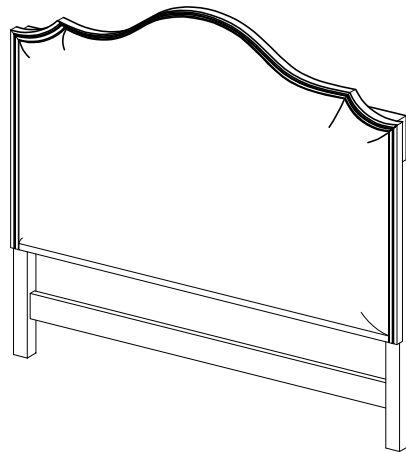
Assembly Instructions

## Woodmark Headboard /1747HBK/HBQ

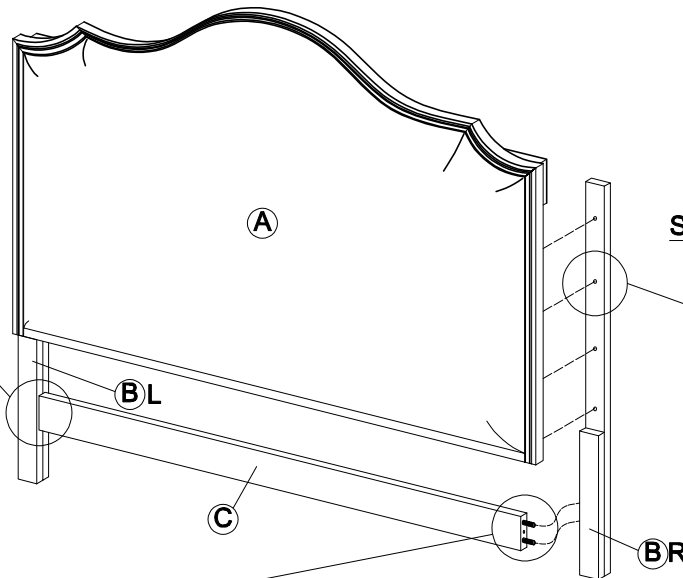
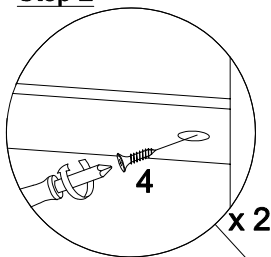
Thank you for purchasing this quality product. Be sure to check all packing materials carefully for small parts, which may have come loose inside the carton during shipment. Identify and count all items and compare with the parts list and hardware list shown below.

Part List		
NO	DESCRIPTION	QTY
A	HEADBOARD 	1 PC
B	LEG (L/R) 	2 PCS
C	CROSSBAR 	1 PC

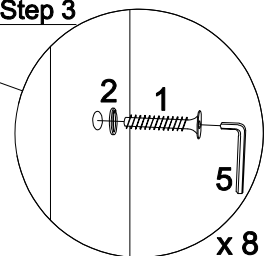
Hardware List			
NO	DESCRIPTION		QTY
1	JCBC BOLT M6 x 30mm 		8 PCS
2	SPRING WASHER M6 		8 PCS
3	WOOD DOWEL M10 x 40mm 		4 PCS
4	CSK SCREW M4 x 25MM 		2 PCS
5	ALLEN KEY M4 x 100mm 		1 PC



Step 2



Step 3



Step 1

