

see what Delta can do™

BAR & PREP SINK FAUCETS

■ Two Handle, Deck Mount

STANDARD SPECIFICATIONS:

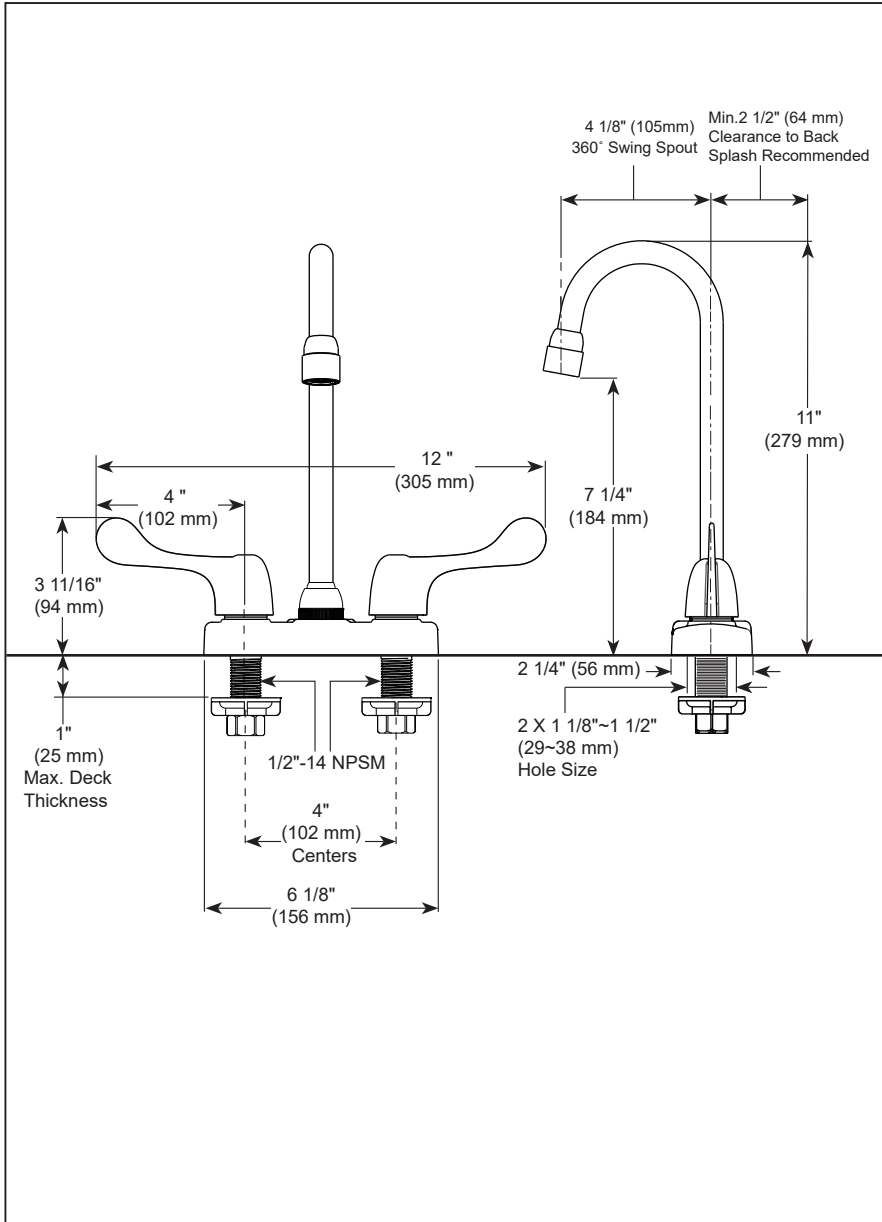
- Max. flow rate 1.5 gpm @ 60 psi, 5.7 L/min @ 414 kPa.
- Solid brass cast body.
- Two handle bar sink faucet for exposed mounting on 2 and 3 hole sinks with 4" centers
- Spout rotates 360°.
- All operating parts shall be replaceable from the top.
- Hot and cold stems are interchangeable.
- 1/2"-14 NPSM threaded male inlet shanks.
- Control mechanism is a rotating cylinder type with stainless steel plate and 90° rotating, with replaceable non-metallic seats.

WARRANTY

- Parts and Finish – Lifetime limited warranty; or for commercial purchasers, 10 years for multi-family residential (apartments and condominiums) and 5 years for all other commercial uses, in each case from the date the product is received by the original purchaser or their authorized representative (installation contractor, etc.).
- Please go to www.deltafaucet.com for the complete details of our limited warranty.

COMPLIES WITH:

- NSF/ANSI/CAN 61 & 372
- ASME A112.18.1 / CSA B125.1
- ICC/ANSI A117.1



Delta Faucet Company reserves the right (1) to make changes in specifications and materials, and (2) to change or discontinue models, both without notice or obligation. Dimensions are for reference only. See current full-line price book or www.deltafaucet.com for finish options and product availability.

Delta Faucet Company

55 E. 111th Street, Carmel, IN 46280
350 South Edgeware Road, St. Thomas, ON N5P 4L1
© 2025 Delta Faucet Company