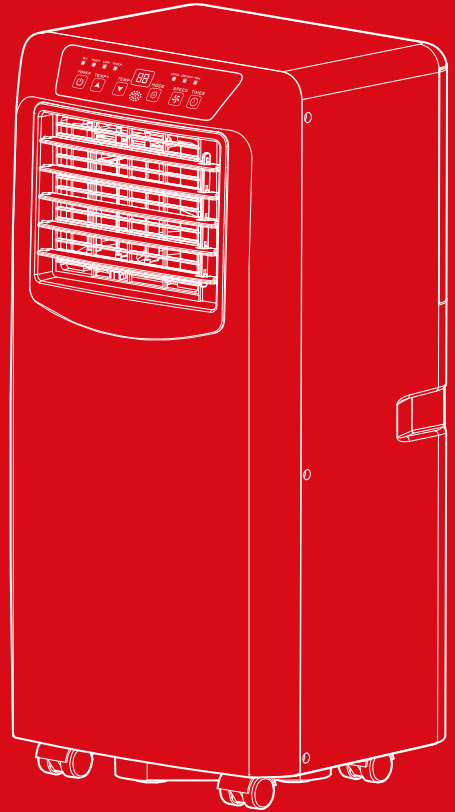




bestchoiceproducts



INSTRUCTION MANUAL

2-Speed Portable Window
Air Conditioner

! NOTICE

Please retain these instructions for future reference.

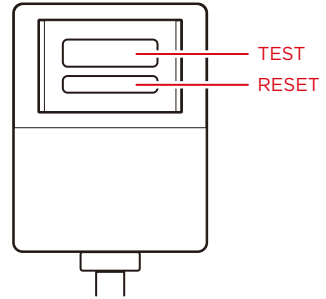
- This appliance is not a toy.
- Do not allow children to operate this appliance. Keep appliance out of reach of children.
- This item is intended for indoor, household use only.
- Place appliance on a stable and level surface.
- Before plugging appliance into wall outlet, make sure the power switch is off. Switch off appliance before unplugging.
- Unplug appliance when not in use and before moving, assembly, disassembly, or cleaning.
- Ensure that your voltage is consistent with specifications.
- Make sure that no other high current appliances are plugged into the same circuit with the air conditioner as an overload could occur.
- This appliance is not intended for use by persons (including children) with reduced physical, sensory or mental capabilities, or lack of experience and knowledge, unless they have been given supervision or instruction concerning use of the appliance by a person responsible for their safety.
- If any parts are missing, broken, damaged, or worn, stop using this product until repairs are made and/or factory replacement parts are installed.
- Do not use this item in a way inconsistent with the manufacturer's instructions as this could void the product warranty.

! WARNING

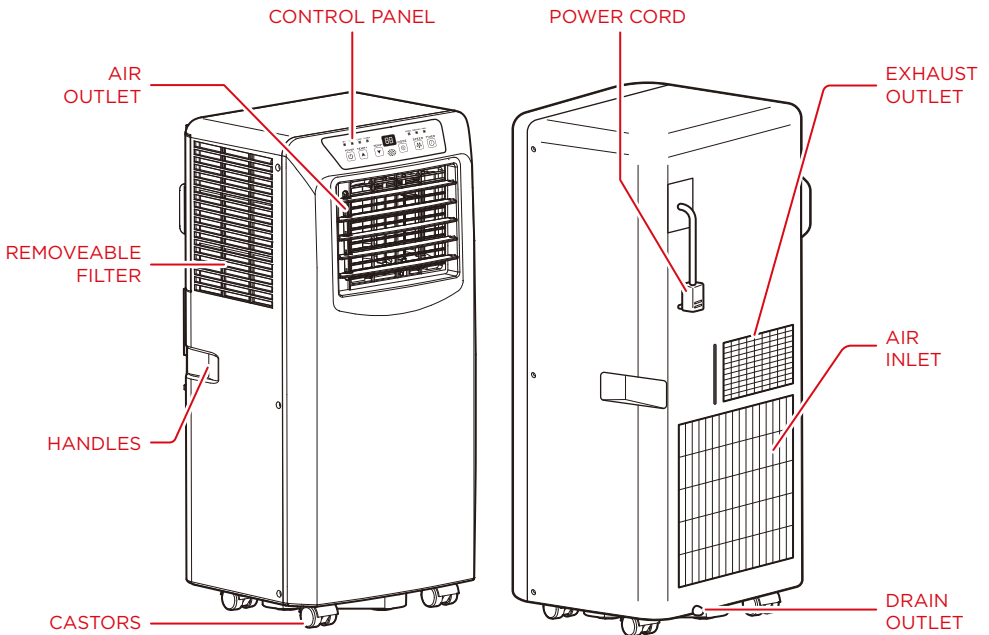
- Keep appliance away from direct sunlight and other heat sources (stove, heater, etc.).
- Never obstruct the air inlet and outlet openings. Do not place objects on the appliance or allow objects to obstruct the inlet or outlet openings.
- Do not insert objects or fingers into inlet/outlet openings.
- Do not cover the unit when in operation.
- Do not stretch the exhaust hose beyond the expanded length of the hose.
- Do not place the cord under carpet or cover with throw rugs or furniture. Arrange the cord so that it cannot be tripped over.
- Do not run power cord over sharp edges/corners or a hot surface.
- Do not place outdoors or in a damp environment such as a bathroom or spa.
- Do not immerse the appliance or power cord in water or any other liquid.
- Do not spill water on the electrical components or connectors.
- Do not operate appliance with wet hands.
- Do not unplug the appliance by pulling on the power cord. Always grasp the plug firmly and pull straight out from the outlet.
- Do not use if the plug or any components are damaged.
- Do not use any accessory or fitting other than original accessories and fittings.
- Keep unit upright during transportation or storage. Do not move unit on its side.

POWER CORD

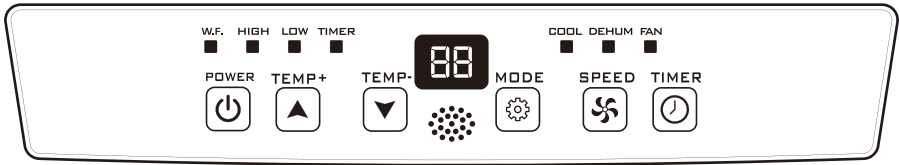
- This appliance must be grounded with the 3-prong grounding plug.
- Do not use a 3-prong adaptor or cut off the grounding plug.
- Using an extension cord is not recommended as the cord may overheat.
- Power cord comes with an integrated circuit breaker. Routinely test the circuit breaker by doing the following:
 - With the power cord plugged in, press the TEST button and the RESET button should pop out.
 - Press the RESET button and make sure it engages.



DIAGRAM



CONTROL PANEL/DISPLAY



MODE: Cycle between cool, dehumidify, and fan mode

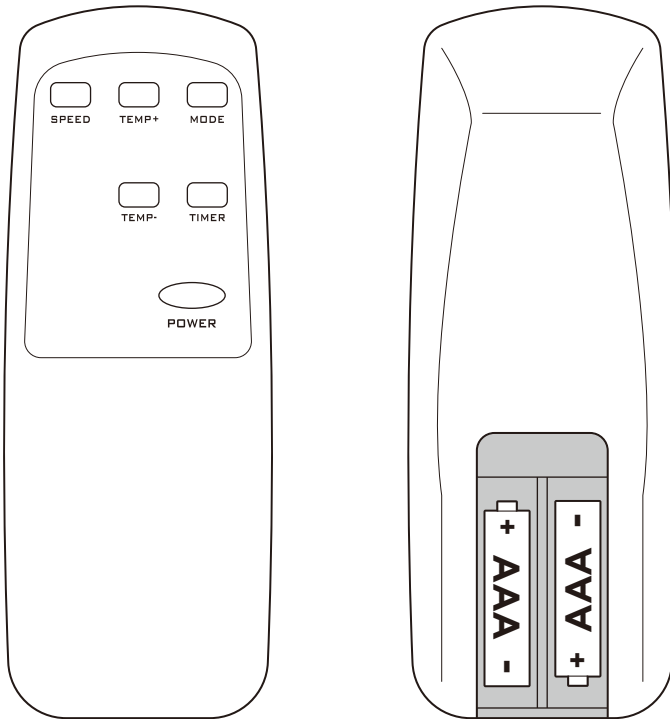
SPEED: Toggle fan speed between low/high

TIMER: Set timer from 0 to 24 hours

WF (WATER FULL): Indicates water tank is full and needs to be drained

REMOTE

Install 2 AAA batteries in the remote control.



REQUIRED

+ AAA -

2 AAA BATTERIES
(PROVIDED)

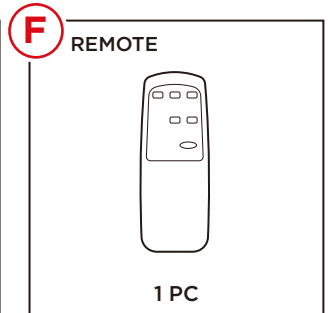
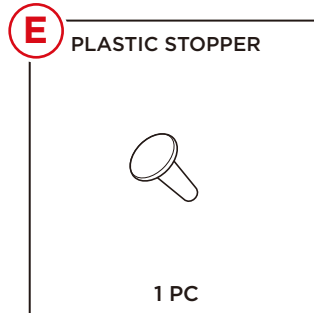
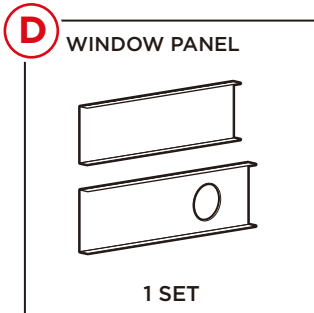
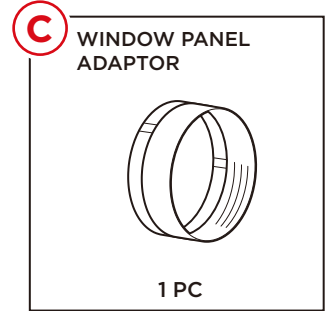
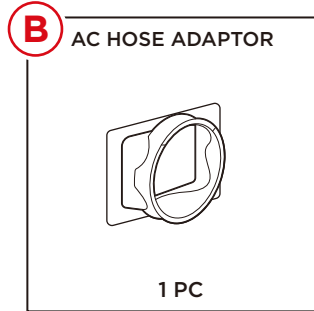
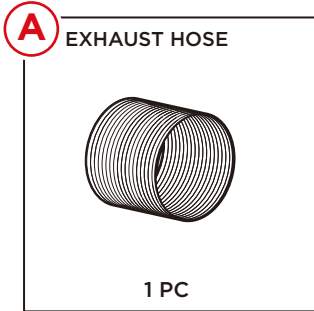


1 PERSON
ASSEMBLY



APPROXIMATELY
15 MIN.
ASSEMBLY

PARTS



SETTING UP THE APPLIANCE

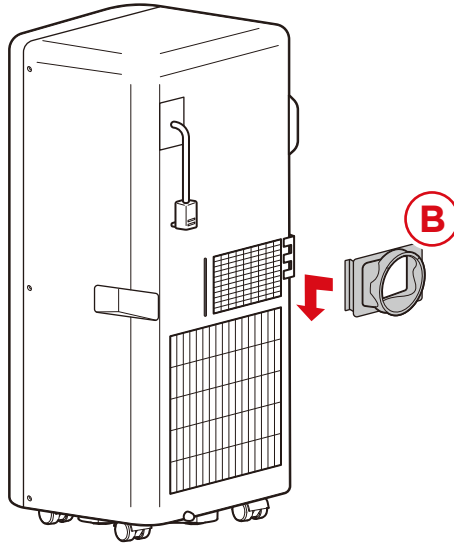
- Remove all packaging and accessories. Inspect appliance to make sure that it is in good condition.
- Place appliance on a stable and level surface near a window and wall outlet.
- Make sure there is at least **12 inches** of clearance from the wall and on all sides.
- Do not operate in the immediate vicinity of water, such as near a bathtub, washbowl, bathroom, or swimming pool.

PRODUCT ASSEMBLY

1

Hook the part B hose adaptor onto the exhaust outlet of the air conditioner.

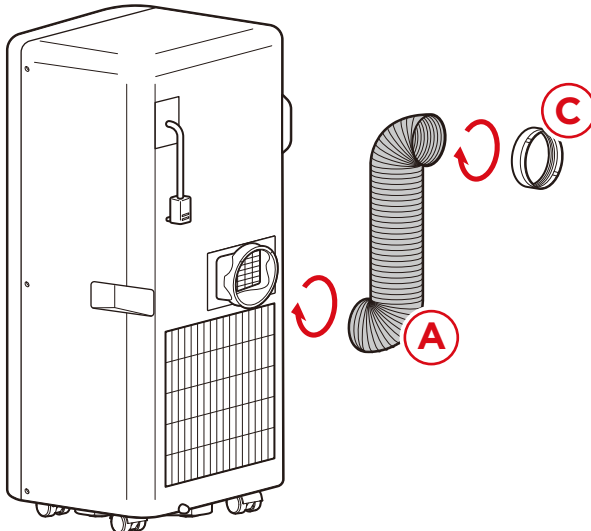
NOTE: Angle left side into slot, line up teeth on right side, then slide down to lock.



2

Pull apart part A exhaust hose so the folds are separated. Insert exhaust hose into the hose adaptor and rotate clockwise to lock it in place.

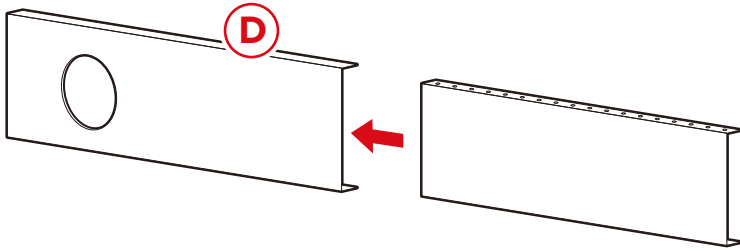
Insert the other end of the exhaust hose into the part C window panel adaptor and rotate clockwise to lock it in place.



PRODUCT ASSEMBLY

3

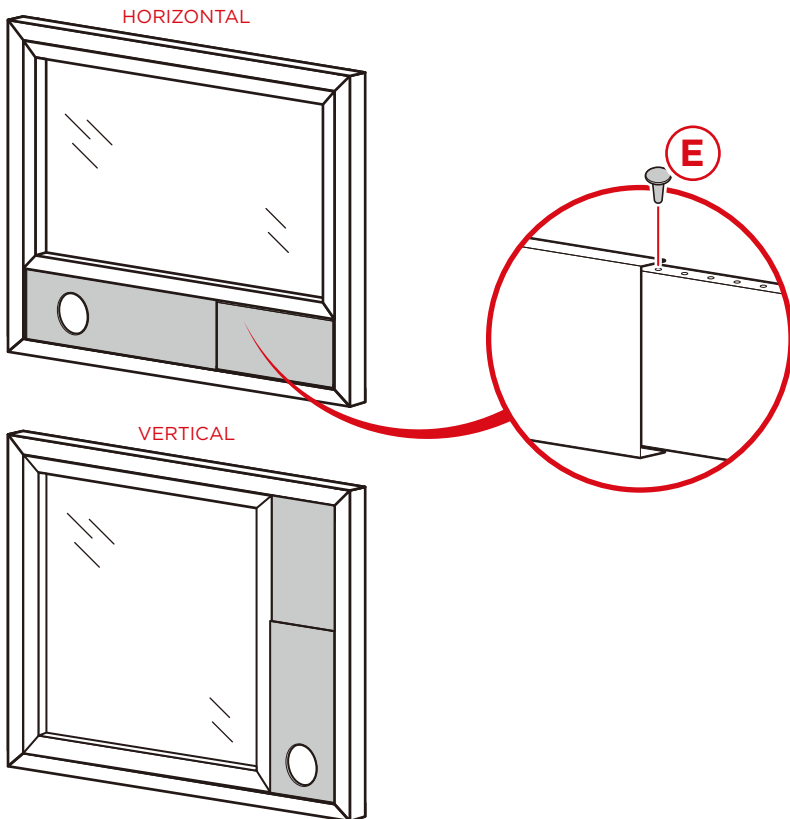
Slide the part D window panel set together.



4

If necessary, line the window opening with weather seal (**not included**). Install the window panel set horizontally or vertically and lock with a part E plastic stopper.

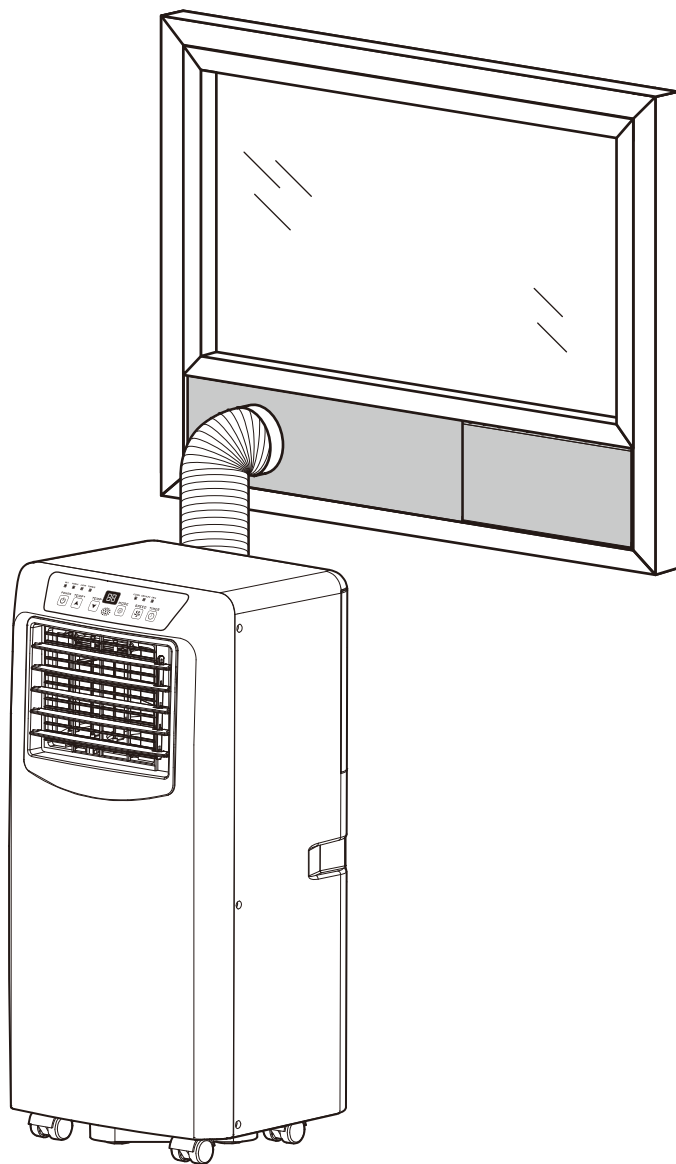
NOTE: Window panel adjusts from 26.5" to 48". If window is too small, you may cut the panel to fit the window (cut on the side opposite of the hole).



PRODUCT ASSEMBLY

5

Press the window panel adaptor/hose into the window panel set until it locks in place.



OPERATING INSTRUCTIONS

Cooling:

1. Press Mode button until cool indicator turns on.
2. Adjust to desired room temperature (62°F-88°F).
3. Press Speed button to select desired fan speed.

Dehumidifying:

1. Press Mode button until dehumidify indicator turns on.
2. Adjust to 2 degrees below room temperature.
3. Press Speed button and set fan speed to low.
4. When the WF (water full) indicator turns on, drain water through the drain outlet.

Fan:

1. Press Mode button until fan indicator turns on.
2. Press Speed button to select desired fan speed.

NOTE: Exhaust hose not required in fan mode.

Timer:

Set timer auto-start:

1. With the air conditioner turned off, press the Timer button.
2. Set the temperature and desired timer start time within 0 to 24 hours from now.

Set timer auto-stop:

1. With the air conditioner turned on, press the Timer button.
2. Set the temperature and desired timer end time within 0 to 24 hours from now.

DRAINING WATER

When the WF (water full) indicator turns on, the internal water tank must be drained.

1. Remove the rubber cap and stopper from the drain outlet.
2. Drain water into an appropriate vessel or outside.

CLEANING

- Turn off and unplug the appliance before cleaning or storage. Allow unit to cool completely.
- It is very common for dust to gather in the inlet/outlet and cause overheating. Routinely clean the housing and openings with a slightly damp cloth, vacuum cleaner, or dusting brush.
- Do not clean with gasoline, benzine, thinner, or harsh cleaners.
- Clean air filter as necessary:
 - Slide out the removable air filter.
 - Clean air filter with mild detergent and lukewarm water.
 - Allow air filter to completely dry and replace.

STORAGE

- Keep unit upright during transportation or storage. Do not move unit on its side.
- For prolonged storage, do the following:
 - Drain all water from tank
 - Run fan mode for half a day to dry the interior
 - Clean air filter and remove exhaust hose
 - Cover appliance
 - Store in a cool, dry place away from direct sunlight and dirt.

TROUBLESHOOTING

PROBLEM	REASON	SOLUTION
Does not turn on	Overheat feature activated	Allow unit to cool for 3 minutes then try again
	Remote has low battery	Replace remote batteries
	Not plugged in	Make sure unit plugged in properly
Not working when turned on	WF indicator on, water tank full	Drain water
	Room temperature lower than set temperature (cool mode)	Adjust temperature
Not cool enough	Doors/windows open	Close doors/windows
	Heat sources in room	Remove heat sources
	Exhaust hose not attached or blocked	Connect or clean exhaust hose
	Temperature set too high	Adjust temperature
	Air inlet blocked	Clean air inlet
Excessive noise	Uneven ground	Set unit on a flat, stable surface
E2 error code	Water tank full	Drain water

WARNINGS REGARDING BATTERIES

The following safety hazards may result in serious injury or death:

- Do not mix alkaline, standard (carbon zinc) and rechargeable (nickel hydride) batteries.
- Do not mix old and new batteries.
- Non-rechargeable batteries should not be charged.
- Rechargeable batteries should be charged under adult supervision only.
- Exhausted batteries should be removed.
- The supply terminals should not be short-circuited.
- Do not put batteries next to or in a heat source (fire, electronic heating device, etc.).
- Do not hit batteries against hard objects.
- Do not submerge batteries in water.
- Batteries should be inserted with the correct polarity.

FCC COMPLIANCE STATEMENT

This device complies with part 15 of the FCC rules. Operation is subject to the following two conditions: (1) This product may not cause harmful interference, and (2) this device must accept any interference received, including interference that may cause undesired operation.

NOTE: This equipment has been tested and found to comply with the limits for a Class B digital device, pursuant to part 15 of the FCC Rules. These limits are designed to provide reasonable protection against harmful interference in a residential installation.

This equipment generates, uses, and can radiate radio frequency energy and, if not installed and used in accordance with the instructions, may cause harmful interference to radio communications. However, there is no guarantee that interference will not occur in a particular installation.

If this equipment does cause harmful interference to radio or television reception, which can be determined by turning the equipment off and on, the user is encouraged to try to correct the interference by one or more of the following measures:

- Reorient or relocate the receiving antenna.
- Increase the separation between the equipment and receiver.
- Connect the equipment to an outlet on a circuit different from that to which the receiver is connected.
- Consult the dealer or an experienced radio/TV technician for help.

WARNING: Any changes or modifications to this unit not expressly approved by the party responsible for compliance could void the user's authority to operate the equipment.

Responsible party (contact for FCC matters only):

Quality Control Dept.
5642 Ontario Mills Parkway
Ontario, CA 91764



HELP CENTER



Question about your product? We're here to help. Visit us at:

help.bestchoiceproducts.com



Chat Support



Product Inquiry



Orders FAQ



Product Assembly



Returns & Refunds

PRODUCT WARRANTY INFORMATION

All items can be returned for any reason within 60 days of the receipt and will receive a full refund as long as the item is returned in its original product packaging and all accessories from its original shipment are included. All returned items will receive a full refund back to the original payment method. All returned items will not be charged a re-stocking fee.

All returned items require an RA (Return Authorization) number, which can only be provided by a Best Choice Products Customer Service Representative when the return request is submitted. Items received without an RA may not be accepted or may increase your return processing time. Once an item has been received by Best Choice Products, refunds or replacements will be processed within 5 business days.

All returns must be shipped back to the Best Choice Products Return Center at the customer's expense. If the reason for return is a result of an error by Best Choice Products then Best Choice Products will provide a pre-paid shipping label via email. Boxes for return shipping will not be provided by Best Choice Products, and is the customer's responsibility to either use the original shipping boxes or purchase new boxes.

Pictures may be required for some returns to ensure an item is not damaged prior to its return. Items returned are not considered undamaged until they are received by Best Choice Products and verified as such. All damages to items are the customer's responsibility until the item has been received by and acknowledge by Best Choice Products as undamaged.

WARNING

Manufacturer and seller expressly disclaim any and all liability for personal injury, property damage or loss, whether direct, indirect, or incidental, resulting from the incorrect attachment, improper use, inadequate maintenance, or neglect of this product.