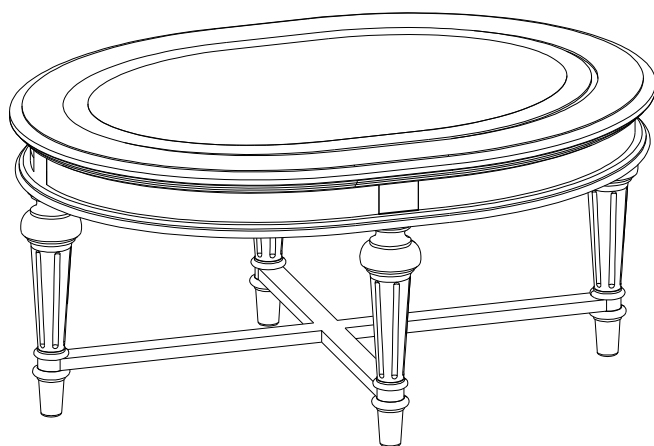
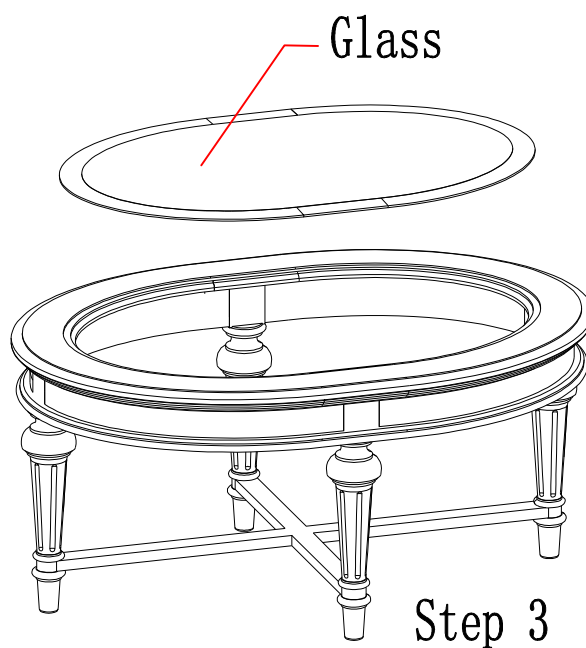
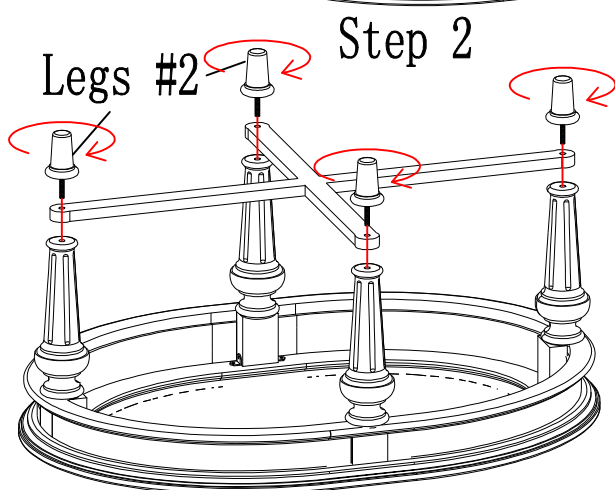
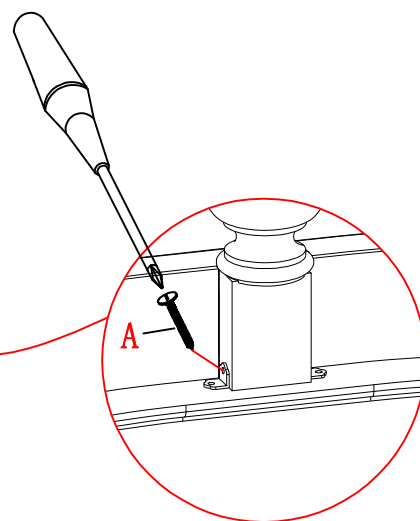
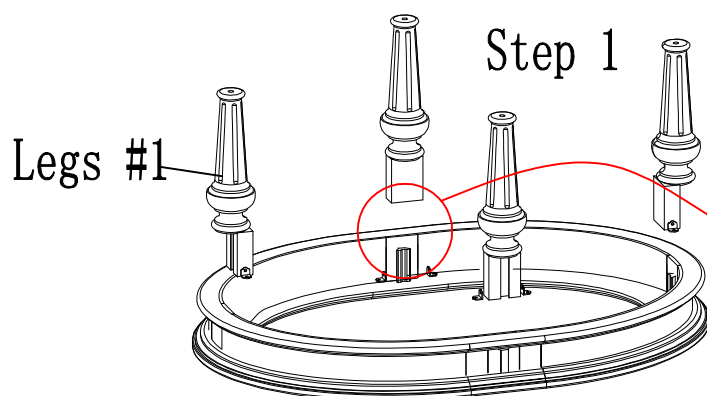


HEKMAN**ASSEMBLY INSTRUCTIONS**

23300-Oval Coffee Table

A HOWARD MILLER COMPANY

A		Ø3.5x15mm	8 Pcs
---	---	-----------	-------



Place the table top upside down on soft and clean surface to prevent scratching.

Step 1: Install the legs (#1) to the table top, using screw (A) .

Step 2: Assemble the stretcher onto legs (#1), assemble legs (#2) by turning clockwise.

Step 3: Set the table upright, put the tempered glass into the table top.

MADE IN VIETNAM