

Installation and Care Guide

Diverter Bath Faucet with Remote Valve

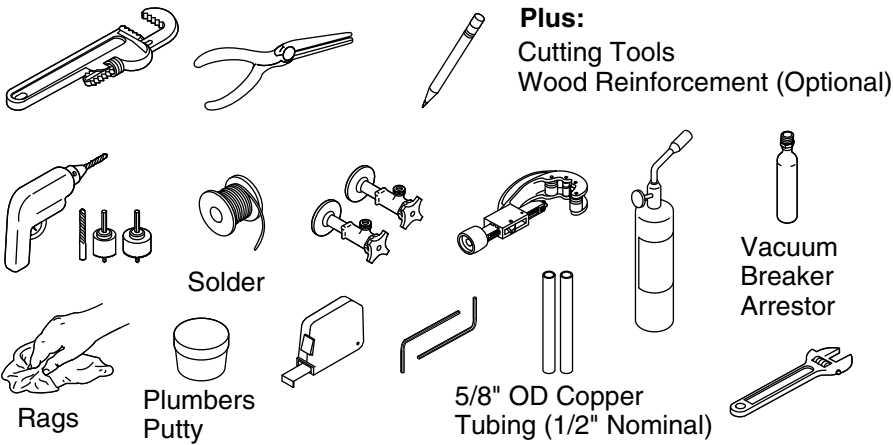
K-73078

M product numbers are for Mexico (i.e. K-12345**M**)
Los números de productos seguidos de
M corresponden a México (Ej.
K-12345**M**)
Français, page "Français-1"
Español, página "Español-1"

THE BOLD LOOK
OF **KOHLER**®

1276522-2-A

Tools and Materials



Before You Begin

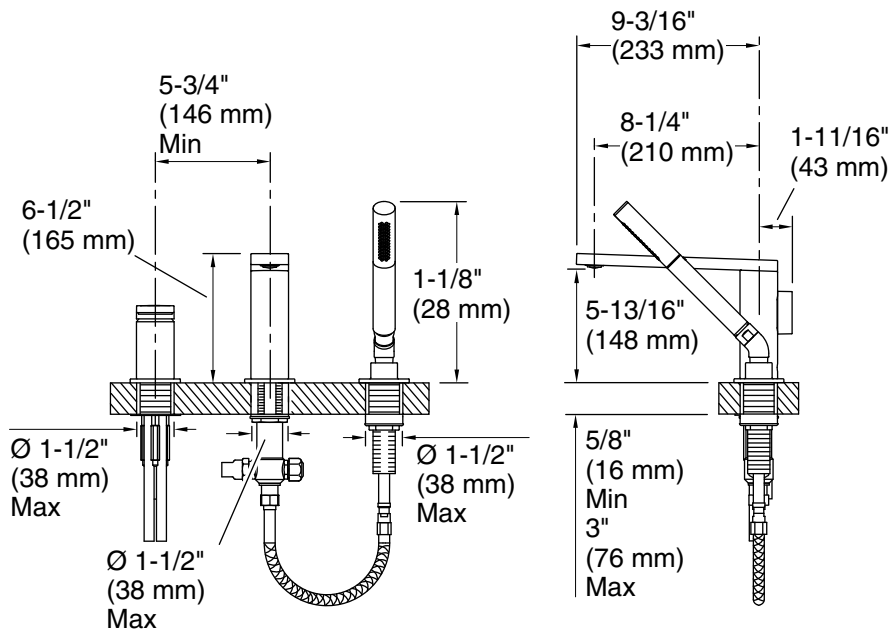


WARNING: Risk of personal injury. Do not install the bath faucet in an area where it may inadvertently be used for support by the bather.



CAUTION: Risk of property damage. Select a cutting tool appropriate for the deck/rim surface type. Refer to the surface manufacturer's instructions for the proper cutting procedures.

- Observe all local plumbing and building codes.
- Shut off the water supply.
- Protect the surface of the bath deck/rim during installation.
- Kohler Co. recommends installing a Sioux Chief 652-AD vacuum breaker arrestor (or equivalent) close to the outlet of the remote valve. This will reduce cavitation and water hammer when the valve or diverter is activated. Visit Sioux Chief's website at www.sioxchief.com for technical and installation information.



Roughing-In

1. Prepare the Site

NOTE: To simplify future servicing, install an access panel to reach the plumbing.

NOTICE: The remote valve may be installed anywhere on the deck. To allow adequate clearance for handle rotation, provide a minimum distance of 5-3/4" (146 mm) from the center of the spout to the center of the valve.

- Determine the mounting hole locations for the spout diverter and remote valve. Refer to the roughing-in dimensions illustrated for proper placement and diameters.
- **For a finished bath deck/rim less than 5/8" (16 mm) thick:** Install wood reinforcement to the underside of the deck/rim. The combined thickness of the reinforcing material and the deck/rim must not exceed 3" (76 mm).

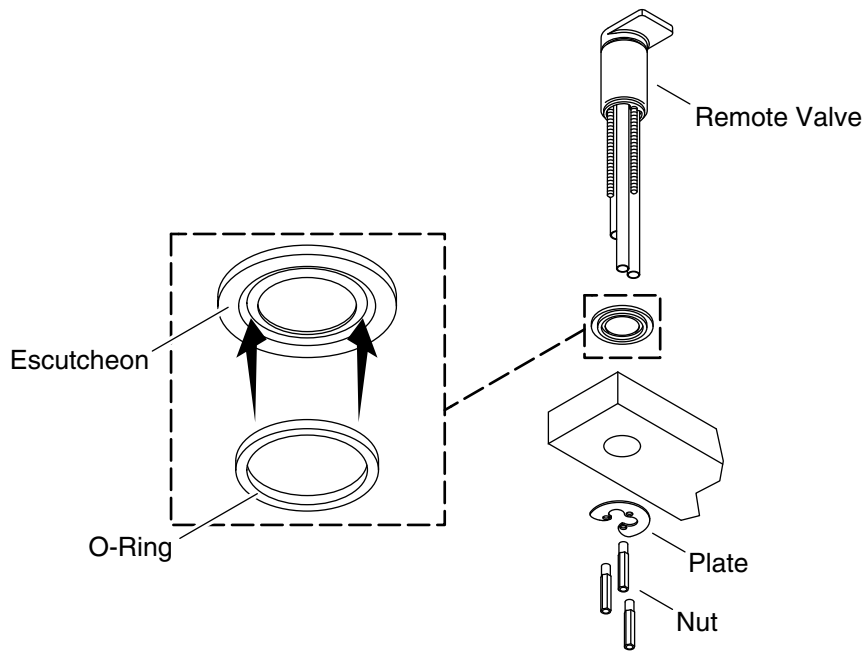


CAUTION: Risk of property damage. Select a cutting tool appropriate for the deck/rim surface type. Refer to the surface manufacturer's instructions for proper cutting procedures.

Prepare the Site (cont.)

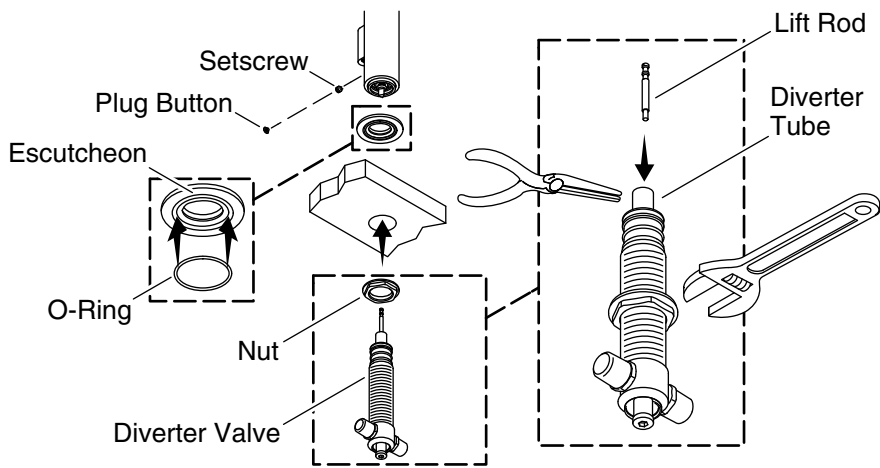
NOTICE: Do not exceed 1-1/2" (38 mm) hole diameters for the spout diverter and the remote valve mounting holes. Maximum contact area is necessary for a successful installation.

- Carefully cut mounting holes for the spout diverter and remote valve.
- Install or relocate the water supplies as needed.



2. Install the Remote Valve

- Insert the O-ring into the groove in the underside of the escutcheon.
- Slide the escutcheon onto the remote valve.
- Insert the remote valve assembly through the mounting hole.
- Slide the plate onto the remote valve, then wrench tighten the three nuts to secure the remote valve.



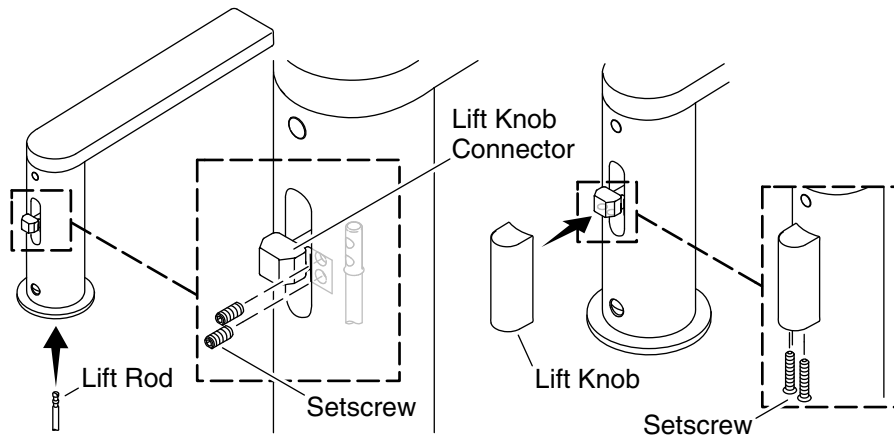
3. Install the Spout

NOTICE: The brass collar with O-ring included in the hardware bag is not needed for this installation. Please discard the brass collar with O-ring.

- Insert the remaining O-ring into the groove in the underside of the escutcheon.
- Thread the nut all the way down the diverter valve.
- Insert the diverter valve into the mounting hole from underneath.
- Thread the escutcheon down the diverter valve until it stops.
- Wrench tighten the nut to secure the diverter valve.
- Use a needle-nose pliers to lift and hold the diverter tube. Then thread the lift rod into the diverter tube.
- Ensure that the setscrew does not protrude beyond the inside wall of the spout. Back the setscrew out if needed.

IMPORTANT! Do not bend the lift rod during spout installation.

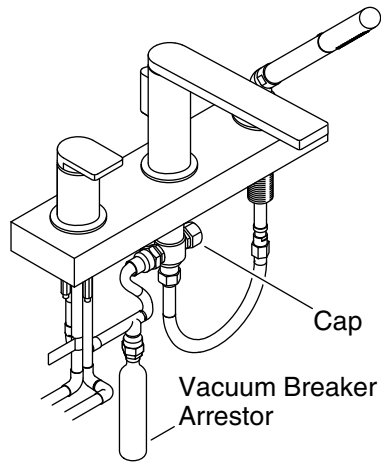
- Position the spout over the lift rod, and slide it down onto the diverter valve.
- Tighten the setscrew.
- Insert the plug button into the setscrew hole.



4. Install the Lift Knob

IMPORTANT! Do not overtighten the lift knob setscrews.

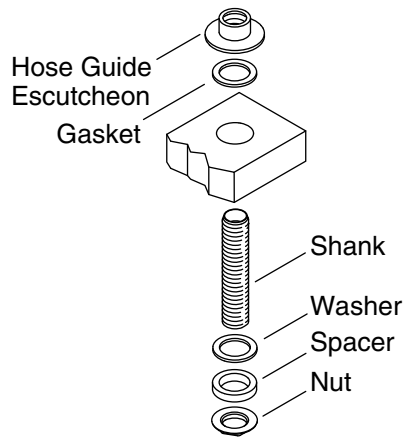
- Press the lift knob connector down onto the lift rod. Tighten the two setscrews.
- Fit the lift knob onto the lift rod connector. Tighten the two setscrews.



5. Connect the Plumbing

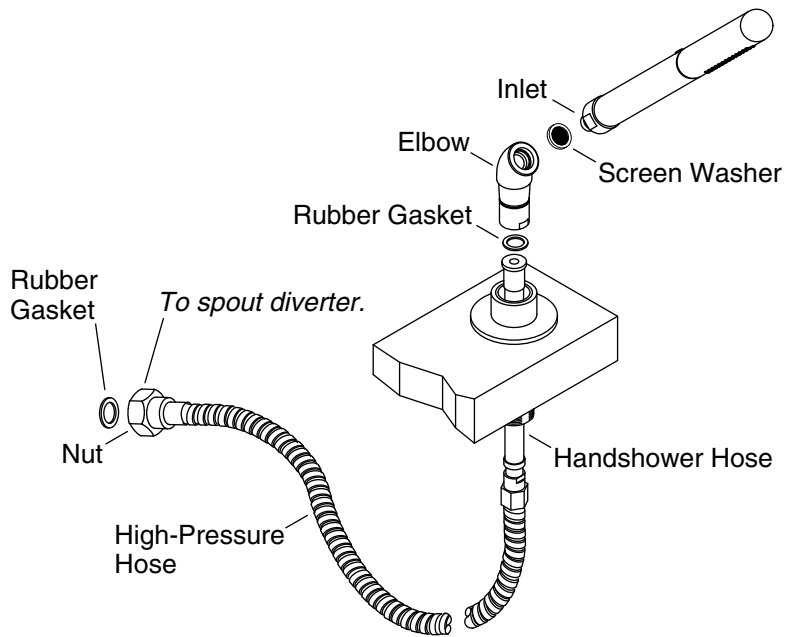
NOTE: The illustration shown is a suggested plumbing connection method. Actual plumbing connections will vary by site.

- ❑ Verify that the spout, diverter valve, and remote valve are properly positioned and secured.
- ❑ Cut and assemble the copper tubing and connections to fit the installation layout.
- ❑ Install a vacuum breaker arrester near the diverter valve inlet. Follow the vacuum breaker arrester manufacturer's instructions.
- ❑ Solder the connections.
- ❑ Use thread sealant tape, and securely wrench tighten a cap to the open inlet port of the diverter valve.



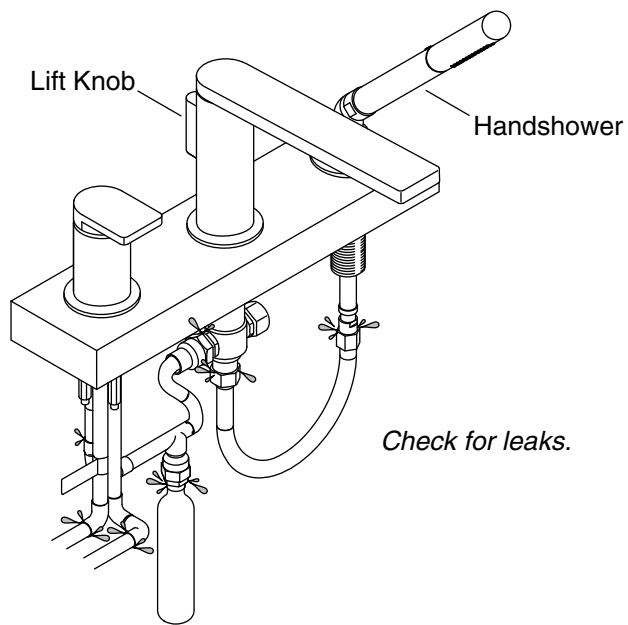
6. Install the Hose Guide

- Thread the hose guide escutcheon onto the shank.
- Insert the hose guide assembly and gasket into the mounting hole.
- Slide the washer and spacer up the shank from underneath.
- Thread the nut up the hose guide, and securely wrench tighten.



7. Install the Handshower

- Run cold and hot water through the shower outlet to flush out dirt and debris.
- Insert the screen washer into the outlet end of the elbow, and thread the elbow onto the handshower. Adjust the position of the elbow as needed so the installed handshower will lean over the bath rim.
- Fit a rubber gasket into the tapered end of the handshower hose, and securely handtighten the handshower hose to the elbow.
- Fit a rubber gasket into the handshower hose, and securely handtighten the handshower hose to the high-pressure hose.
- Feed the hoses into the hose guide.
- Fit a rubber gasket into the end of the high-pressure hose, and securely wrench tighten the high-pressure hose to the spout diverter.



8. Complete the Installation

- Turn on the water supplies.
- Check for leaks at all connections. Repair as needed.
- Turn the remote valve handle to the ON position.
- Check for leaks at all connections. Repair as needed.
- Activate the handshower. Check for leaks at the connections. Tighten the connections as needed.
- Turn off the water, and check that the lift knob drops back to its original position.
- Turn on the water, and verify that water is only flowing from the spout.

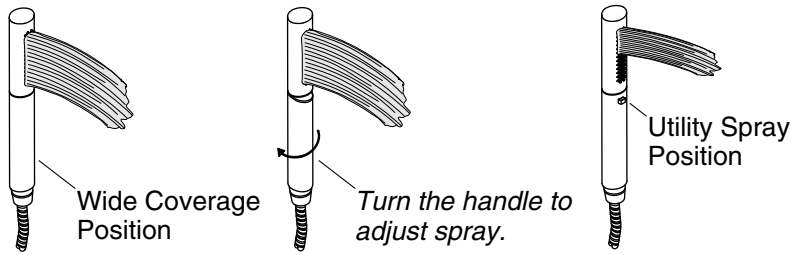
Care and Cleaning

For best results, keep the following in mind when caring for your KOHLER product:

Care and Cleaning (cont.)

- Use a mild detergent such as liquid dishwashing soap and warm water for cleaning. Do not use abrasive cleaners that may scratch or dull the surface.
- Carefully read the cleaner product label to ensure the cleaner is safe for use on the material.
- Always test your cleaning solution on an inconspicuous area before applying to the entire surface.
- Do not allow cleaners to sit or soak on the surface.
- Wipe surfaces clean and rinse completely with water immediately after cleaner application. Rinse and dry any overspray that lands on nearby surfaces.
- Use a soft, dampened sponge or cloth. Never use an abrasive material such as a brush or scouring pad to clean surfaces.

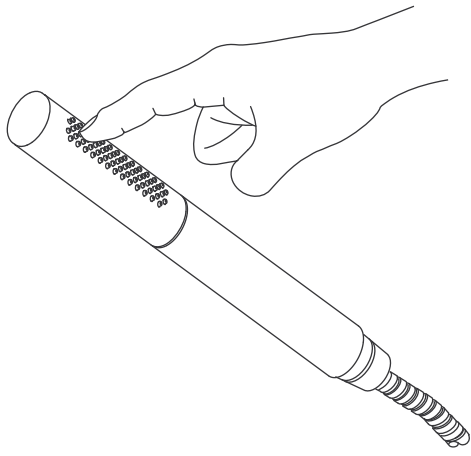
For detailed cleaning information and products to consider, visit www.kohler.com/clean. To order Care & Cleaning information, call 1-800-456-4537.



Using Your Handshower

Your handshower has two spray options, wide-coverage and utility spray.

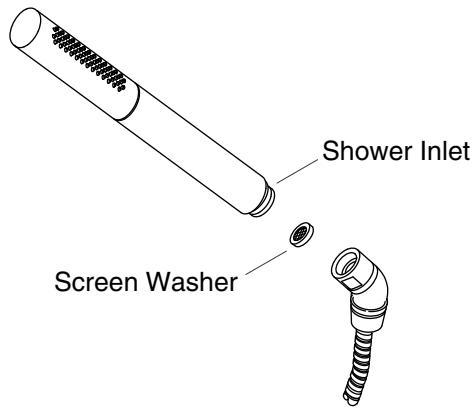
- To change the spray of your handshower from wide-coverage to utility spray, turn the handle until the sprayface aligns with the nub on the handle.



Clean the Nozzles

To dislodge debris and mineral build-up:

- Run water through the handshower.
- Firmly rub your finger back and forth across the spray nozzles on the handshower face.
- If this procedure fails to improve the performance of the handshower, proceed to the "Clean the Screen Washer" section of this guide.



Clean the Screen Washer

- Remove the handshower from the elbow.
- Using a thin, flat-blade screwdriver, carefully pry up the edge of the screen washer.
- Remove the screen washer. Do not attempt to remove the flow control.
- Clean the screen washer to dislodge debris and mineral build-up.
- Reinstall the screen washer.
- Reinstall the handshower to the elbow.

Warranty

KOHLER® Faucet Lifetime Limited Warranty

Kohler Co. warrants its Faucets* manufactured after January 1, 1997, to be leak and drip free during normal residential use for as long as the original consumer purchaser owns his or her home. If the Faucet should leak or drip during normal use, Kohler Co. will, free of charge, mail to the purchaser the cartridge necessary to put the Faucet in good working condition. This warranty applies only to Kohler Faucets installed in the United States of America, Canada or Mexico ("North America").

Kohler Co. also warrants all other aspects of the faucet or accessories ("Faucet")*, (except gold, non-Vibrant®, non-chrome finishes) to be free of defects in material and workmanship during normal residential use for as long as the original consumer purchaser owns his or her home.

Warranty (cont.)

This warranty applies only to Kohler Faucets installed in North America. If a defect is found in normal residential use, Kohler Co. will, at its election, repair, provide a replacement part or product, or make appropriate adjustment. Damage to a product caused by accident, misuse, or abuse is not covered by this warranty. Improper care and cleaning will void the warranty**. Proof of purchase (original sales receipt) must be provided to Kohler Co. with all warranty claims. Kohler Co. is not responsible for labor charges, installation, or other incidental or consequential costs. In no event shall the liability of Kohler Co. exceed the purchase price of the Faucet.

If the Faucet is used commercially or is installed outside of North America, or if the finish is gold, non-Vibrant or a painted or powder coated color finish, Kohler Co. warrants the Faucet to be free from defects in material and workmanship for one (1) year from the date the product is installed, under Kohler Co.'s standard one-year limited warranty.

If you believe that you have a warranty claim, contact Kohler Co., either through your Dealer, Plumbing Contractor, Home Center or E-tailer, or by writing Kohler Co., Attn.: Customer Care Center, 444 Highland Drive, Kohler, WI 53044, USA. Please be sure to provide all pertinent information regarding your claim, including a complete description of the problem, the product, model number, color, finish, the date the product was purchased and from whom the product was purchased. Also include your original invoice. For other information, or to obtain the name and address of the service and repair facility nearest you, call 1-800-4-KOHLER (1-800-456-4537) from within the USA and Canada, and 001-800-456-4537 from within Mexico, or visit www.kohler.com within the USA, www.ca.kohler.com from within Canada, or www.mx.kohler.com in Mexico.

KOHLER CO. AND/OR SELLER ARE PROVIDING THESE WARRANTIES IN LIEU OF ALL OTHER WARRANTIES, EXPRESSED OR IMPLIED, INCLUDING BUT NOT LIMITED TO THE IMPLIED WARRANTIES OF MERCHANTABILITY AND FITNESS FOR A PARTICULAR PURPOSE. KOHLER CO. AND/OR SELLER DISCLAIM ALL LIABILITY FOR SPECIAL, INCIDENTAL OR CONSEQUENTIAL DAMAGES. Some states/provinces do not allow limitations of how long an implied warranty lasts or the exclusion or limitation of such damages, so these limitations and exclusions may not apply to you. This warranty gives the consumer specific legal rights. You may also have other rights that vary from state/province to state/province.

This is Kohler Co.'s exclusive written warranty.

Warranty (cont.)

*Trend® faucets, MasterShower® tower, BodySpa systems and components; WaterHaven® tower, systems and components; Tripoint® faucets, Polished Gold, non-Vibrant and painted or powder coated finishes, fittings; all items within the "Fixture Related" section of the Kohler Faucets Price Book, drains, Duostrainer® sink strainers, soap/lotion dispensers, Moxie® Wireless Speaker; and faucets used in commercial settings, and outside North America, are covered by Kohler Co.'s one-year limited warranty.

**Never use cleaners containing abrasive cleansers, ammonia, bleach, acids, waxes, alcohol, solvents or other products not recommended for chrome. This will void the warranty.

Warranty

For Mexico

KOHLER CO.

It is recommended that at the time of purchase, you verify that all accessories and components are complete in this package.

This Kohler product is warranted to be free of defects in material and workmanship for one (1) year from the date of purchase as shown on the invoice or receipt.

1. Kohler Co. will only service its commercialized products through its authorized distributors.
2. To obtain warranty service, please present the invoice and corresponding warranty.
3. Through its authorized distributors, Kohler Co. promises to repair the defective product or provide a new replacement or an equivalent model (in those cases that the model has been discontinued) when the product is beyond repair, without any charge to the consumer.
4. The time of repair will not exceed six (6) weeks commencing on the date the product is received.
5. It is recommended that the consumer save the invoice or receipt as additional protection, as it may substitute the warranty in the case that there is a discrepancy in the validity of the warranty.

EXCEPTIONS AND RESTRICTIONS

The Warranty will not be valid in the following cases:

1. When the product is not operated in accordance with the instructions concerning use and operation set forth in the owner's manual or installation instructions, and when the recommendations

Warranty (cont.)

and warnings included are not observed.

2. When the product has been modified or dismantled partially or totally; or has been used in a negligent fashion and as a consequence has suffered damages attributable to the consumer, individual, or hardware not authorized by Kohler Co.

3. This warranty does not cover the damages as a result of disaster such as fire or acts of God, including flooding, earthquake, or electric storms, etc. To obtain a list of distributors in your area where you can exercise your rights under this warranty, please call 001-800-456-4537.

KOHLER CO., KOHLER, WI 53044 U.S.A.

IMPORTER:

COMERCIALIZADORA INTERCERAMIC, S.A. DE C.V.

AV. CARLOS PACHECO NO. 7200, COL. MADERA 65

CHIHUAHUA, CHIH., MEXICO C.P. 31060

R.F.C. CIN141022IE9

TEL: 52 (614) 429-11-11

IMPORTER:

GAMA MATERIALES Y ACEROS, S.A. DE C.V.

AVE LOS ANGELES NO. 1800

COL VALLE DEL NOGALAR, SAN NICOLAS DE LOS GARZA

N.L. MEXICO

R.F.C. GMA901220U11

TEL: 81-1160-5500