

AVAIL DIRECT SELECT

Selectable 5CCT Remodel Downlight

The Avail Direct Select 5CCT downlight offers 5 selectable color temperatures in one compact package. The selectable CCT switch is located on the back of the downlight housing and can be adjusted on the fly. This feature is also beneficial when it comes time to remodel providing a simple way to update lighting to match a new color scheme or design.

- Excellent color rendering (90+ CRI)
- Aluminum housing with polycarbonate lens
- Five selectable color temperatures: 2700K / 3000K / 3500K / 4000K / 5000K
- Lumen output up to 1950 Lumens
- Available in 2", 4", and 6" sizes
- Dimmable with most TRIAC dimmers
- Spring loaded mounting clips
- Type IC and cETLus Listed for indoor, wet locations
- 50,000 hours rated life
- ENERGY STAR Certified and JA8 Compliant



AVAIL DIRECT SELECT SERIES QUICK SPECS

VOLTAGE	120V AC, 60Hz
WATTAGE	6W / 10W / 15W
LUMENS	See Ordering Information
CCT OPTIONS	2700K / 3000K / 3500K / 4000K / 5000K
CRI	90+
MOUNTING	Recessed mount
DIMMING	TRIAC (10 - 100%)
BEAM ANGLE	37° (AVDRE2) / 95° (AVDRE4, AVDRE6, AD8RE)
OPERATING TEMP	-20°C (-4°F) to 40°C (104°F)
CERTIFICATIONS	Type IC; cETLus Listed - Wet Location
RATED LIFE	50,000 Hours

PROJECT:
TYPE:
LOCATION:
CATALOG NUMBER:



AVAIL DIRECT SELECT ORDERING INFORMATION

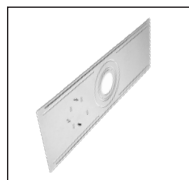
ITEM NUMBER	SIZE	FINISH	VOLTAGE	CCT	CRI	LM @ 27	LM @ 30	LM @ 35	LM @ 40	LM @ 50	WATTAGE	DIMMING
AVDRE2-5CCT-WH	2"	White	120V AC	5-CCT	90+	400	420	470	470	460	6W	10-100%
AVDRE4-5CCT-WH	4"	White	120V AC	5-CCT	90+	750	850	850	900	880	10W	10-100%
AVDRE6-5CCT-WH	6"	White	120V AC	5-CCT	90+	1100	1200	1200	1280	1200	15W	10-100%

AVAIL DIRECT SELECT ACCESSORIES

ITEM NUMBER	DESCRIPTION
RPH-2/4/6	Rough-in Plate with Hangar Bars: 76mm, 111mm, 128mm, and 165mm Knockout Holes
RPF-2/4/6	Flat Rough-in Plate: 76mm, 101mm, 118mm, and 163mm Knockout Holes



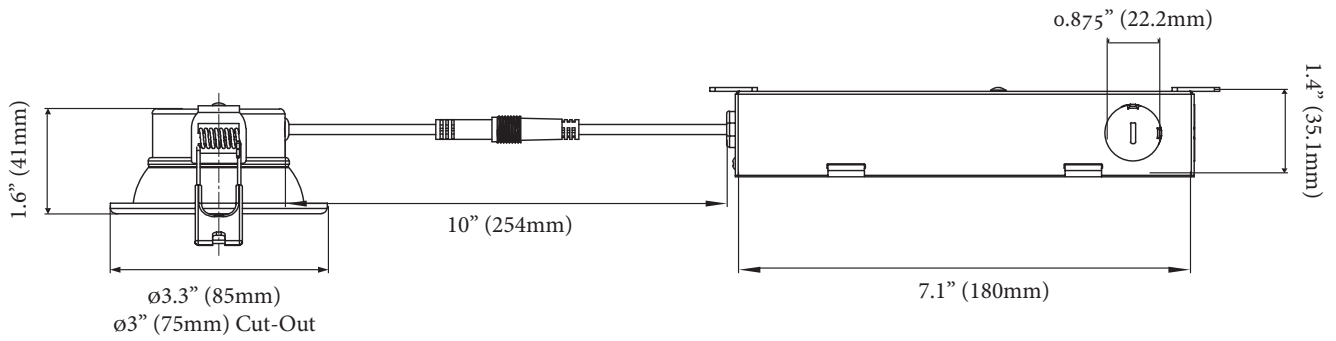
RPH-2/4/6



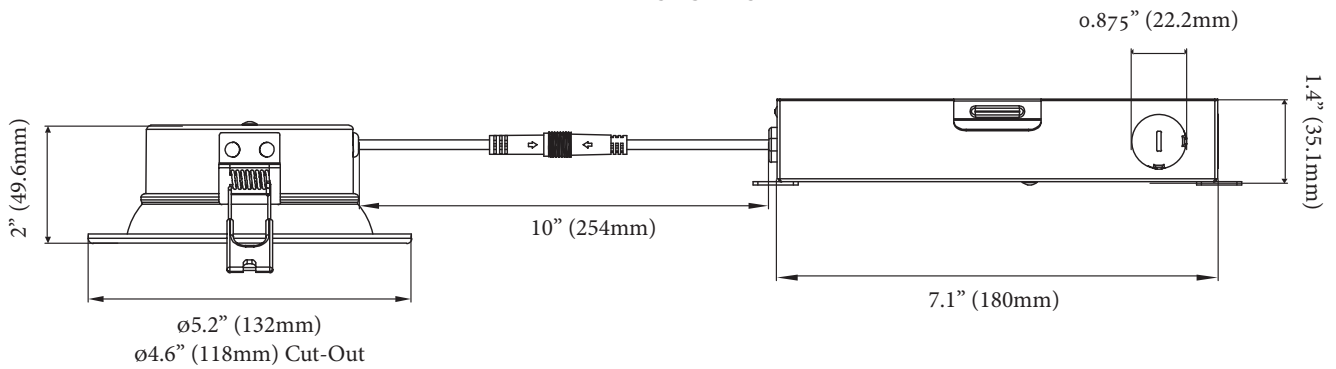
RPF-2/4/6

AVAIL DIRECT SELECT DIMENSIONS

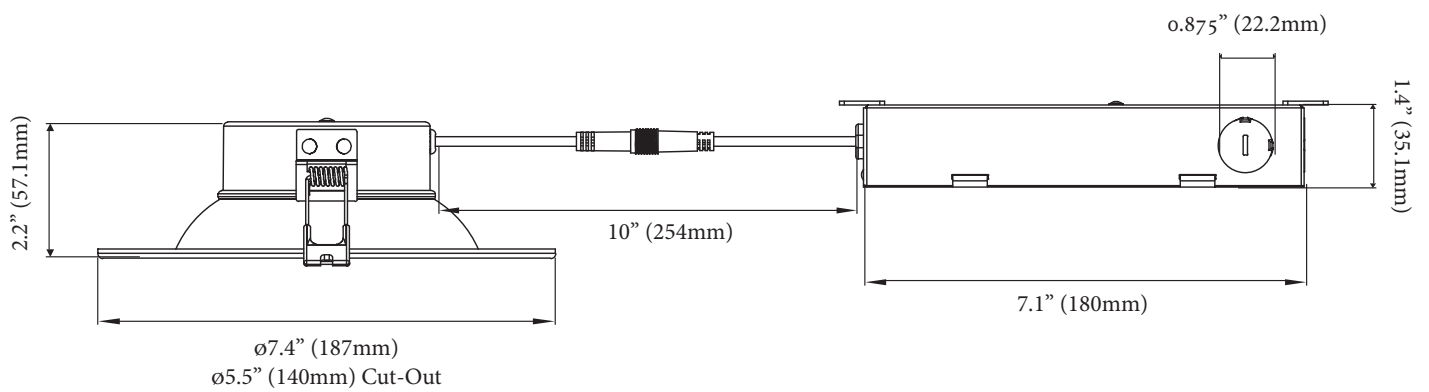
AVAIL DIRECT SELECT 2"



AVAIL DIRECT SELECT 4"



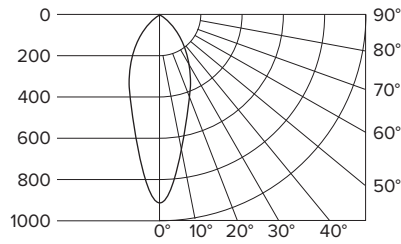
AVAIL DIRECT SELECT 6"



AVAIL DIRECT SELECT PHOTOMETRICS

AD2RE

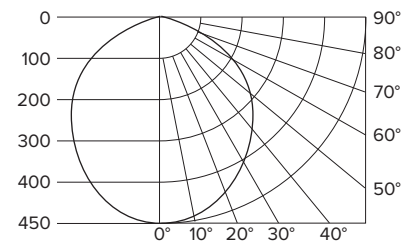
PART NUMBER	AVDRE2-5CCT-WH
BEAM SPREAD	37°
LUMENS	477Lm
WATTAGE	5.5W
EFFICACY	86.7Lm per watt
CCT	@4000K
CRI	90



Avg. Foot Candles	Distance From Light	Beam Dia.
19.8	5'	3.3'
13.7	6'	4.0'
10.1	7'	4.7'
7.7	8'	5.4'
6.1	9'	6.0'
4.9	10'	6.7'

AD4RE

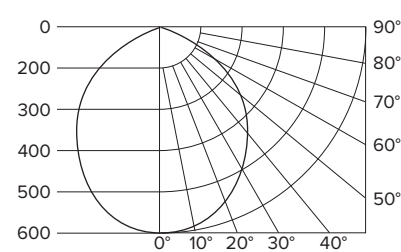
PART NUMBER	AVDRE4-5CCT-WH
BEAM SPREAD	96°
LUMENS	938Lm
WATTAGE	10W
EFFICACY	93.8Lm per watt
CCT	@4000K
CRI	90



Avg. Foot Candles	Distance From Light	Beam Dia.
6.7	5'	11.1'
4.7	6'	13.3'
3.4	7'	15.5'
2.6	8'	17.8'
2.1	9'	20.0'
1.7	10'	22.2'

AD6RE

PART NUMBER	AVDRE6-5CCT-WH
BEAM SPREAD	96.5°
LUMENS	1343Lm
WATTAGE	14.3W
EFFICACY	93.9Lm per watt
CCT	@4000K
CRI	90



Avg. Foot Candles	Distance From Light	Beam Dia.
9.5	5'	11.2'
6.6	6'	13.4'
4.9	7'	15.7'
3.7	8'	17.9'
2.9	9'	20.2'
2.4	10'	22.4'

AVAIL DIRECT SELECT SERIES 2" RECOMMENDED DIMMERS

BRAND	MODEL #	MAX CURRENT OUT (MA)	MIN CURRENT IN (MA)	DIMMING RANGE (%)
Lutron	DVSCSELV-300P-MIN	147	13	8.5-98%
Leviton	CL-6674	140	15	10.5-93%
Leviton	ILP06-10Z	140	6	4-93%
Leviton	6672-1LW	140	17	11-93%
Lutron	DVCL-153P	140	5	3-93%
Lutron	SELV-300P-WH	140	16	11-93%
Lutron	SELV-303P-WH	140	15	10-93%
Lutron	SELV-600P-BL	140	5	3-93%
Lutron	SCL-153P-IV	138	4	2.5-95%
Lutron	MACL-153MR-WH	134	11	10.5-89%
Lutron	TG-600PH-LA	149	20	13-99%
Lutron	DV-600P	150	6	4-100%
Leviton	MACL-153M-ES	146	12	8-97%
Lutron	MACL-153ME	146	12	8-97%
Lutron	DGCL-153P	150	3	2-100%
Lutron	SCL-153P-IV	150	2	2-100%
Lutron	MACL-153MR-WH	146	13	9-97%
Lutron	DVCL-153P	150	15	10-100%

Dimmer performance may vary in field application due to unknown external factors. Dimmers not included on the chart above are not necessarily incompatible; they have yet to be fully evaluated. Please reference dimmer manufacturer's instructions for more detailed information regarding performance and compatibility. Test data listed above is based on single lamp data.

AVAIL DIRECT SELECT SERIES 4" RECOMMENDED DIMMERS

BRAND	MODEL #	MAX CURRENT OUT (MA)	MIN CURRENT IN (MA)	DIMMING RANGE (%)
Lutron	DVSCSELV-300P-MIN	240	28	11-96%
Leviton	CL-6674	238	25	10-95%
Leviton	ILP06-10Z	240	11	4.5-96%
Leviton	6672-1LW	240	30	12-96%
Lutron	DVCL-153P	241	4	1.6-96%
Lutron	SELV-300P-WH	243	26	10-97%
Lutron	SELV-303P-WH	243	27	10-97%
Lutron	SELV-600P-BL	243	10	4-97%
Lutron	SCL-153P-IV	243	6	2.5-97%
Lutron	MACL-153MR-WH	233	25	10-93%
Lutron	TG-600PH-LA	250	38	15-100%
Lutron	DV-600P	250	7	2.8-100%
Leviton	MACL-153M-ES	243	22	9-97%
Lutron	MACL-153ME	242	22	9-97%
Lutron	DGCL-153P	250	4	1.6-100%
Lutron	SCL-153P-IV	250	5	2-100%
Lutron	MACL-153MR-WH	243	22	9-97%
Lutron	DVCL-153P	250	28	11-100%

Dimmer performance may vary in field application due to unknown external factors. Dimmers not included on the chart above are not necessarily incompatible; they have yet to be fully evaluated. Please reference dimmer manufacturer's instructions for more detailed information regarding performance and compatibility. Test data listed above is based on single lamp data.

AVAIL DIRECT SELECT SERIES 6" RECOMMENDED DIMMERS

BRAND	MODEL #	MAX CURRENT OUT (MA)	MIN CURRENT OUT (MA)	DIMMING RANGE (%)
Lutron	DVSCSELV-300P-MIN	365	40	10.5-96%
Leviton	CL-6674	364	36	9.5-96%
Leviton	ILP06-10Z	364	24	6.5-96%
Leviton	6672-1LW	362	46	12.5-95%
Lutron	DVCL-153P	362	15	3.9-95%
Lutron	SELV-300P-WH	366	39	10-96%
Lutron	SELV-303P-WH	364	40	10-96%
Lutron	SELV-600P-BL	362	23	6-95%
Lutron	SCL-153P-IV	362	14	3.6-95%
Lutron	MACL-153MR-WH	344	38	10-90%
Lutron	TG-600PH-LA	365	60	15-96%
Lutron	DV-600P	365	14	4-96%
Leviton	MACL-153M-ES	345	31	8-90%
Lutron	MACL-153ME	340	31	8-90%
Lutron	DGCL-153P	361	6	1.5-95%
Lutron	SCL-153P-IV	362	6	1.5-95%
Lutron	MACL-153MR-WH	343	30	8-90%
Lutron	DVCL-153P	363	43	11-95%

Dimmer performance may vary in field application due to unknown external factors. Dimmers not included on the chart above are not necessarily incompatible; they have yet to be fully evaluated. Please reference dimmer manufacturer's instructions for more detailed information regarding performance and compatibility. Test data listed above is based on single lamp data.



AMERICAN LIGHTING WARRANTY

LIMITED WARRANTY FOR LED PRODUCTS: 5 YEARS

AVERAGE LIFE

Average incandescent lamp life, rated life and average life are terms used to describe the number of hours at which half of the lamps have failed. For LEDs, the hours of rated life specify the point at which 70% of original lumen output is reached. Below this point, the effective life is over, however, the LED may still emit light. Individual results may vary with actual environmental conditions including, but not limited to, proper installation, ambient temperature and/or input voltage fluctuations.

Warranty life based on average 8 hours/day use, 7 days/week. Product should be cycled off for at least 6 hours per day.

SAFETY

You must disconnect lighting products from the power supply before servicing or replacing bulbs. Only qualified personnel should install and perform service on lighting products. Periodic inspection and maintenance is required to keep equipment operating properly and at peak performance. Do not mount fixtures on or adjacent to combustible materials.

Lighting products may present a possible shock or fire hazard if improperly installed or attached in any way. Products should always be installed in accordance with their instruction manuals, current electrical codes, and/or the current National Electric Code (NEC). Code compliance is the sole responsibility of the person, company, or party performing the installation of product. Failure to comply with national and/or regional safety codes may result in hazardous or dangerous conditions, damage to property or life, and/or altered product performance/specifications.

LIMITED PRODUCT WARRANTY

Our products are warranted to be free from defects in material and workmanship for the warranty period listed on the reverse by product category. Warranty periods begin from the date of shipment from American Lighting Inc's warehouse to the original purchaser. Products that prove to be defective during their specific warranty period will be either repaired or replaced, at the sole discretion of American Lighting Inc. Claims for defective products must be submitted in writing to American Lighting Inc's RGA Department within the warranty period. Upon approval of such return, American Lighting Inc reserves the right to inspect the product for misuse or abuse. Claims for indirect or consequential damages or for any product that, in American Lighting Inc's opinion, has been misused will be denied. This is a warranty of product reliability only and not a warranty of merchantability or fitness for a particular purpose. American Lighting Inc shall have no liability whatsoever in any event for payment of incidental or consequential damages, including, without limitations, installation costs and/or damages for personal injury and/or property. These products may represent a possible shock or fire hazard if improperly installed or altered in any way. This warranty does not apply to any product that has not been properly installed in accordance with current local codes and/or the National Electrical Code. Products that require a transformer, driver or power supply must be used in conjunction with American Lighting Inc's recommended power supply to ensure safety and retain product warranty. Limited Product Warranty applies to lengths up to 75 feet for rope light products.

STANDARD LINEAR WARRANTY

Rope light and linear lighting products in all their various types and shapes, whether LED or incandescent, are wired in series parallel. This means that several individual lamps or LEDs are wired together in series to equal 12V, 24V or 120V. Then these sections are wired together (in parallel) to light up in unison. If one solder joint, lamp or resistor fails, a whole section will not light. Due to the number of elements involved, and the numerous extenuating circumstances beyond our control, American Lighting Inc offers a [Standard Linear Warranty](#) on most linear lighting products. The limited liability warranty is listed above, however the Standard Linear Warranty offers replacement product by section due to defective material and/or workmanship for one year beginning from the date of shipment from American Lighting Inc's warehouse to the original purchaser.

USE OF LINEAR LIGHTING IN OUTDOOR APPLICATIONS

Incandescent rope light and LED Flexbrite UL 2388 custom cuts; incandescent and LED Flexbrite pre-packaged kits; and UL Listed (special order) cuts of LED Neon Flexbrite Plus and Economy have factory assembled power connections and end caps that seal the rope from moisture. Due to strict quality control standards, American Lighting is able to offer a limited warranty on these items rather than the standard linear lighting warranty that replaces product by defective section only. For outdoor applications, best practices include using kits interconnected (same length kits are best for color control of White LED Flexbrite) or using custom cuts that do not exceed 75 feet.

For all linear lighting categories, any non-rated field connection made in an outdoor application should be properly sealed with dielectric grease covering all conductive materials; and properly installed power connections and end caps, sealed with dielectric grease, silicone, and heat shrink tube. However, since non-rated (field executed) power connections of linear lighting products cannot be quality controlled, and outdoor use of non-rated product is not recommended, American Lighting cannot warrant the product to any purchaser.

PRODUCT SPECIFICATIONS

For the latest product information, updates, instructions and details concerning specifications, colors, finishes, performance, installation and design, visit www.americanlighting.com. Color may vary from the color printed herein due to limitations in photographic and printing processes. American Lighting Inc. reserves the right to change product specifications without notice. Other product specifications such as color temperature, wavelength characteristics and lumen output are subject to production limitations and may vary.

LED technology is changing rapidly, and not all color temperatures and performance levels can be duplicated at a later time.

Best practices include purchasing 10-15% additional product for a project on the same initial order where white LED color temperatures must be maintained over project and product life. Eventual product replacement should be considered at layout and design stages. Best practices also include testing connections and product performance prior to mounting and/or installing.