

# Installation Instructions

## Pendant Light

Record your model number:  
Noter le numéro de modèle:  
Anoté su número de modelo: \_\_\_\_\_

Français, page 10  
Español, página 18

**KOHLER®**

# Thank You for Choosing KOHLER

---

Need help? Contact our Customer Care Center.

- USA/Canada: 1-800-4KOHLER (1-800-456-4537) Mexico: 001-800-456-4537
- Service parts: [kohler.com/serviceparts](http://kohler.com/serviceparts)
- Care and cleaning: [kohler.com/clean](http://kohler.com/clean)
- Patents: [kohlercompany.com/patents](http://kohlercompany.com/patents)

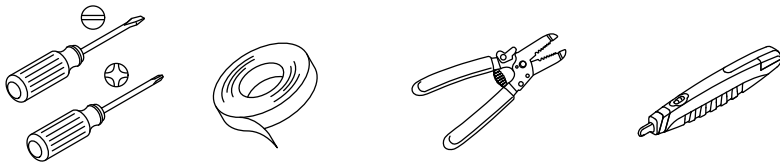
## Warranty

---

This product is covered under the **KOHLER® Indoor Lighting Fixtures Limited Warranty**, found at [kohler.com/warranty](http://kohler.com/warranty). For a hardcopy of warranty terms, contact the Customer Care Center.

## Tools and Materials

---




Electrical Tape Wire Cutter/Stripper Voltage Tester


### Plus:


- Max 60 W E26 Base T10/B11/G25/A19 Bulb

## Before You Begin

---

 **DANGER: Risk of electric shock.** To avoid electrical shock, the electricity must be turned OFF at the circuit breaker or fuse box before beginning installation.

 **DANGER: Risk of electric shock.** To avoid electrical shock, the electrical outlet box must be properly grounded.

 **CAUTION: Risk of property damage.** To avoid risk of fire, this fixture has been rated for bulbs up to 60 W. Do not exceed this rating.

**IMPORTANT!** Do not exceed recommended wattage. Rated Max 60 W E26 base T10/B11/G25/A19 bulb not included.

Follow all local plumbing, building, and electrical codes.

Please read all instructions before you begin.

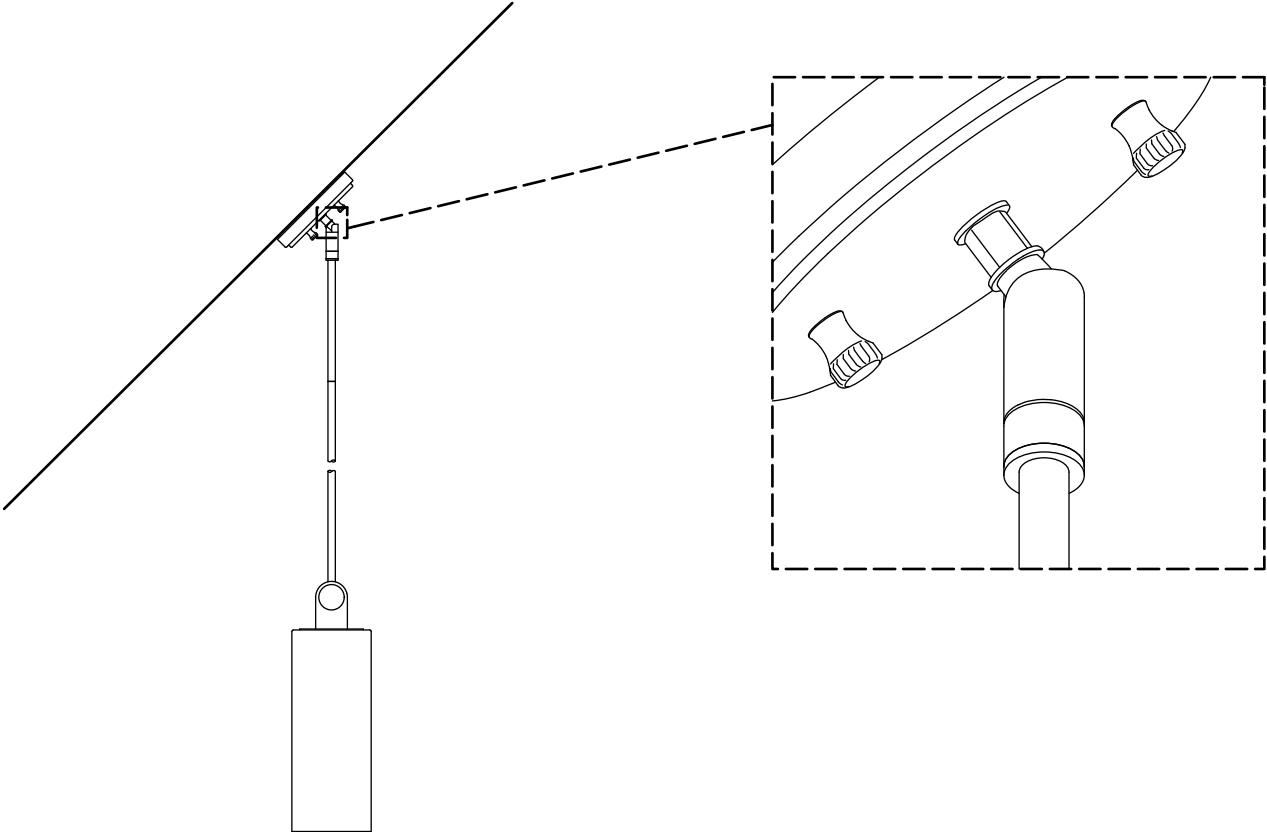
The fixture should be installed by a qualified electrician.

This fixture is for indoor use only.

Carefully inspect the fixture for damage.

# Prepare the Site

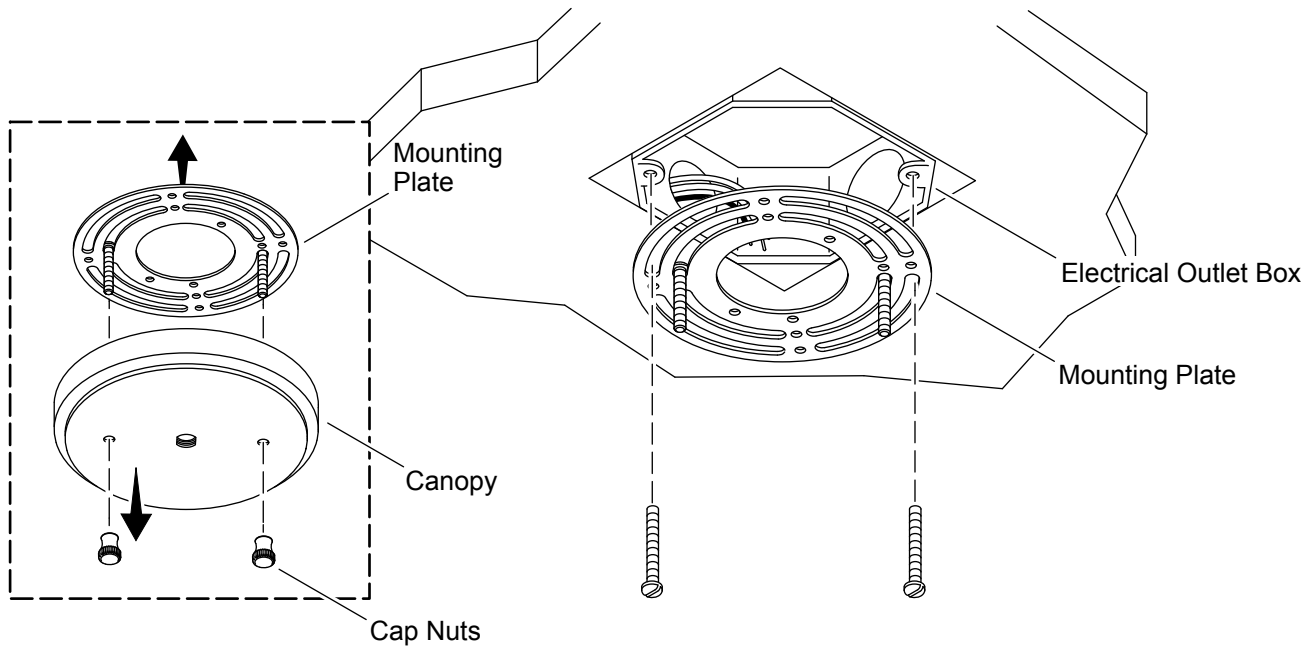
---



**NOTE:** If mounting on a sloped ceiling, the screws in the mounting plate that the canopy is secured to must be perpendicular to the slope of the ceiling.

## 1. Install the Mounting Plate

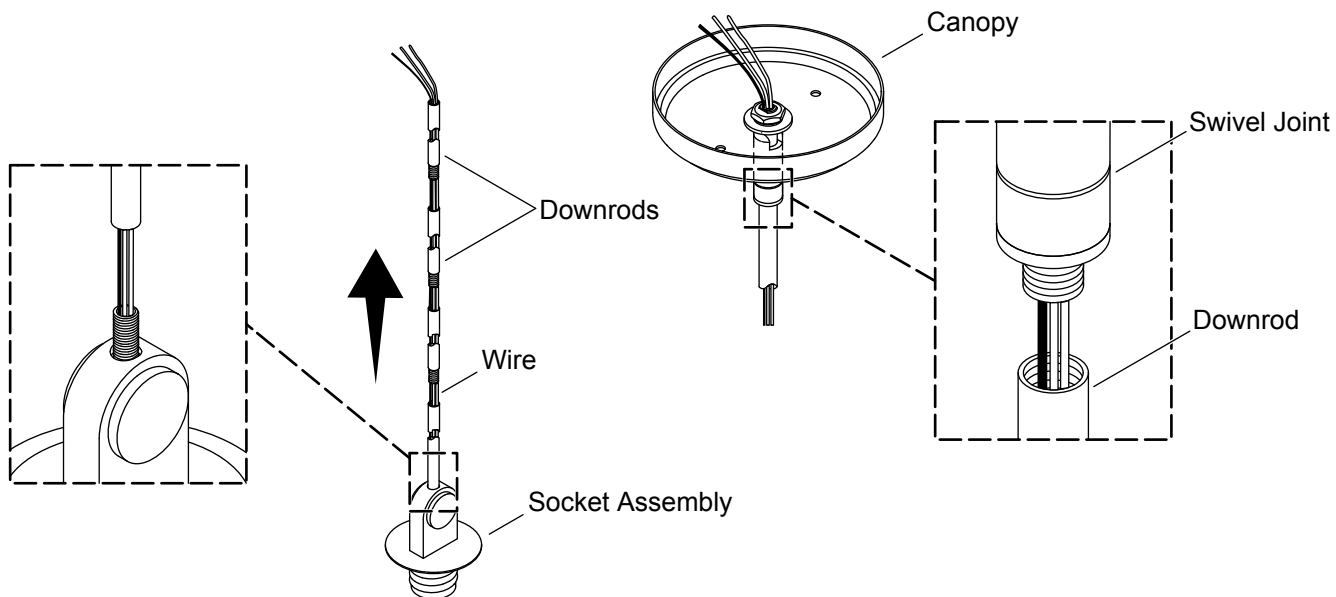
---



- Remove the mounting plate from the canopy.
- Carefully pull out the electrical wires from the electrical outlet box and allow the electrical wires to hang down.
- Position the flat side of the mounting plate flat against the electrical outlet box.
- Align the slotted mounting holes on the mounting plate with the holes on the electrical outlet box.
- Securely tighten the mounting plate to the electrical outlet box with the mounting screws (included).

## 2. Assemble the Downrods and Canopy

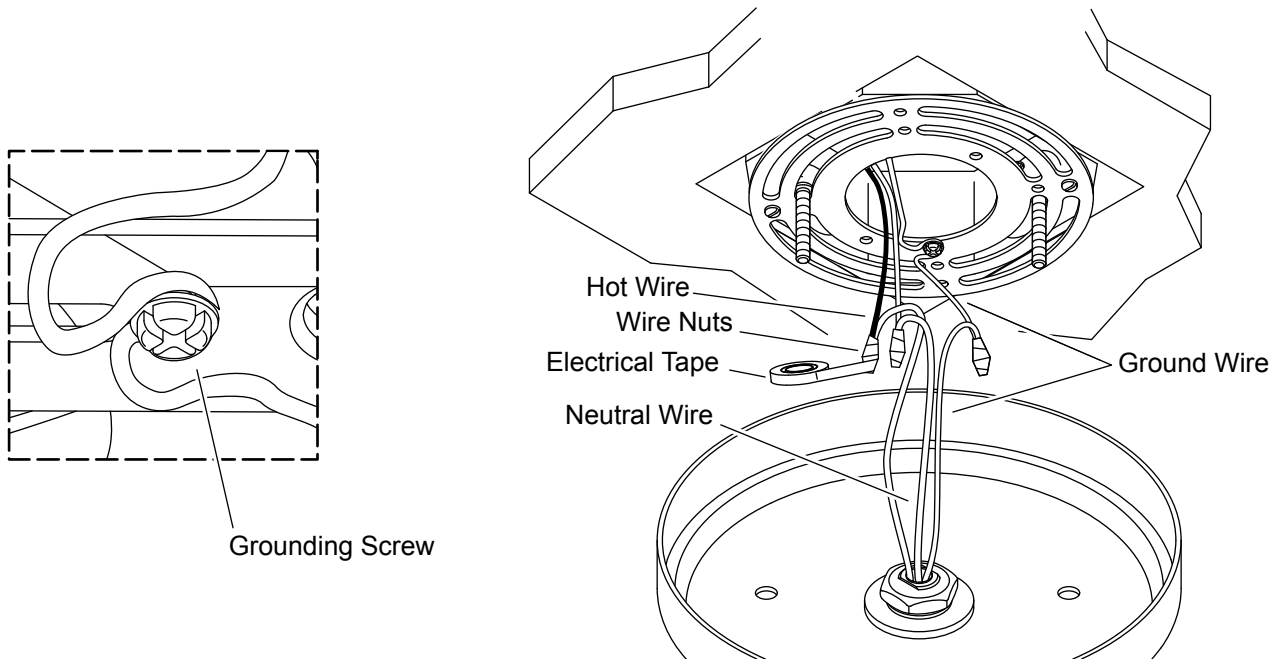
---



- Determine the height that you want the fixture to be located. Select a combination of different length downrods that will position the fixture at the desired height.
- Insert the electrical wires from the socket through the downrod without threads. Thread the downrod onto the socket.
- Insert the electrical wires through the remaining downrods and then thread the downrods together.
- Insert the electrical wires into the end of the swivel joint and pull up through the canopy. Thread the end of the downrod onto the swivel joint.

### 3. Connect the Electrical Wires

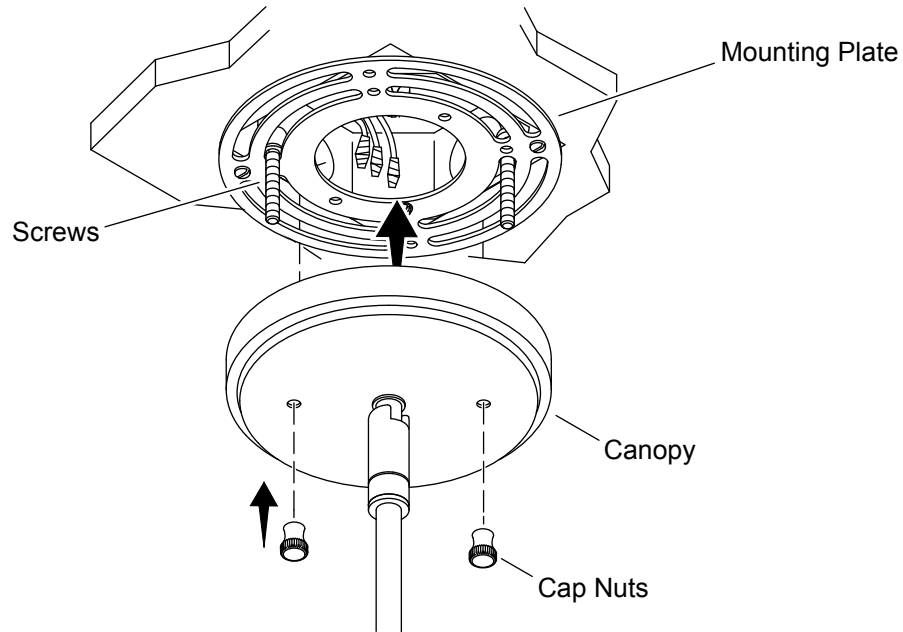
---



- Make a loop in the ground wire and wrap around the grounding screw on the mounting plate. Tighten the grounding screw.
- Attach the ground wire (yellow/green), from the fixture, to the ground wire (usually bare copper or green) in the electrical outlet box.
- Fasten the ground wires together with the provided wire nut and wrap the wire nut with electrical tape.
- Attach the neutral wire (white), from the fixture, to the neutral wire (usually white) in the electrical outlet box.
- Fasten the neutral wires together with the provided wire nut and wrap the wire nut with electrical tape.
- Attach the hot wire (black), from the fixture, to the hot wire (usually black) in the electrical outlet box.
- Fasten the hot wires together with the provided wire nut and wrap the wire nut with electrical tape.

## 4. Secure the Fixture

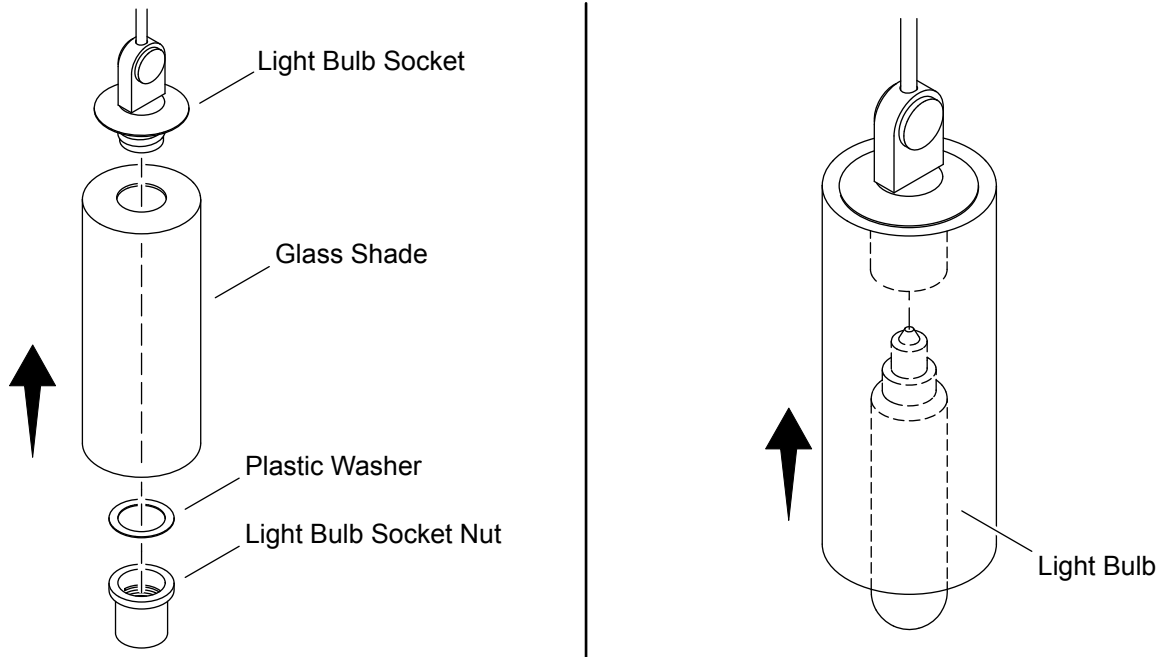
---



- Verify that all plastic wire nuts are securely fastened and strands of bare wire are not exposed.
- Carefully position the electrical wires inside the electrical outlet box behind the mounting plate.
- Lift the fixture and position the canopy over the mounting plate. Align the two holes in the canopy with the screws in the mounting plate.
- Secure the canopy to the mounting plate with the two cap nuts.

## 5. Install the Shade

---



- Set the plastic washer on the light bulb socket nut.
- Position the glass shade onto the light bulb socket.
- While holding the glass shade in position, lift the light bulb socket nut inside the glass shade and thread onto the light bulb socket.
- Handtighten the light bulb socket nut to secure the glass shade.
- Insert the light bulb into the fixture.
- Turn ON the main electrical supply from the main fuse or the circuit breaker.
- Confirm proper operation.