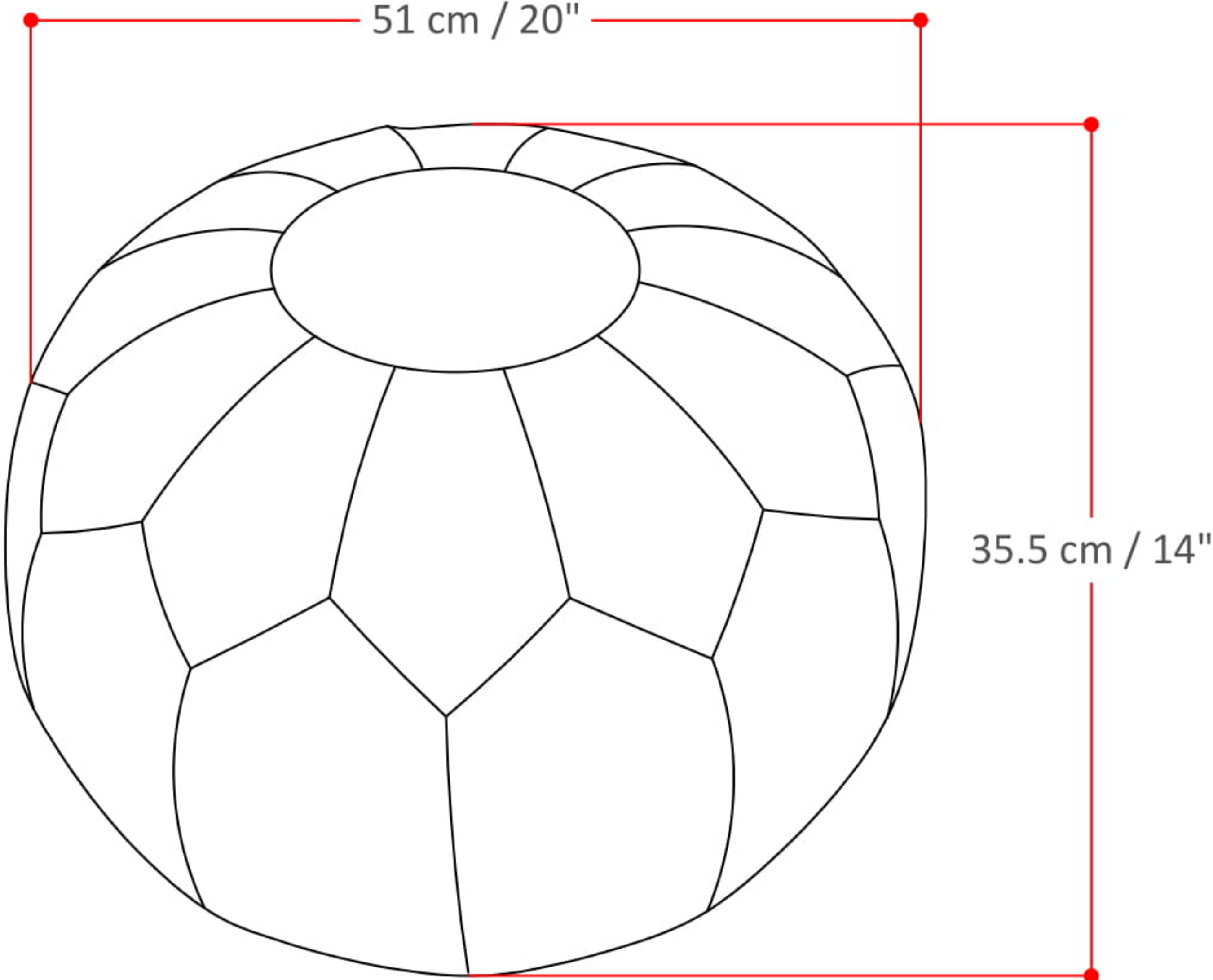


CHARLIZE ROUND POUF



Net Weight- 2.4 (lb)