

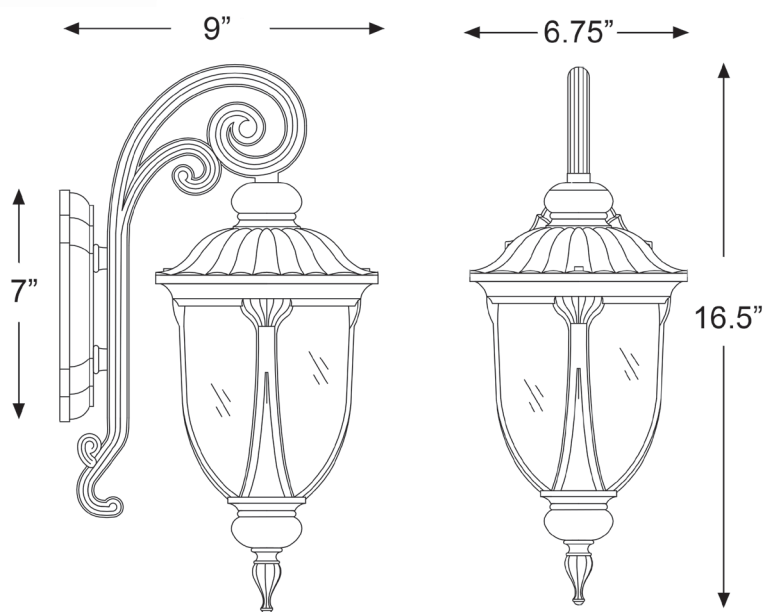
# 2202BK

## LAURENS 1-LIGHT WALL LANTERN



Side View

Front View



|                          |  |
|--------------------------|--|
| <b>Description:</b>      | Laurens 1-light wall lantern                               |
| <b>Finish:</b>           | Matte black  |
| <b>Dimensions:</b>       | 6-3/4" W x 16-1/2" H x 9" ext.<br>Height on center: 7-1/4" |
| <b>Bulbs:</b>            | 1-100w medium  |
| <b>Installed Weight:</b> | 3.5 lbs.   |
| <b>Certification:</b>    | Wet location / c ETL                                       |

|                               |               |
|-------------------------------|---------------|
| <b>Material:</b>              | Cast aluminum |
| <b>Shade:</b>                 | Glass         |
| <b>Glass:</b>                 | Clear seeded  |
| <b>Back Plate Dimensions:</b> | 4-1/2" x 7"   |
| <b>Chain/Wire:</b>            | NA            |
| <b>Additional Finishes:</b>   | Black coral   |