

## POWER DISTRIBUTION UNITS

1U / 0U  
BASIC / METERED SERIES

## USER MANUAL

---

## TABLE OF CONTENTS

MODEL LIST.....	2
PDU NAMING CONVENTION.....	2
SAFETY PRECAUTIONS.....	3
PACKAGE CONTENTS.....	4
INSTALLATION.....	5
Horizontal Installation for 1U Models.....	5
Vertical Installation with Brackets.....	6
Vertical Installation with Brackets - OU Models.....	7
Vertical Installation with Keyhole Mounts - OU Models.....	8
Cord Retention Tray Installation.....	9
Meter Configuration.....	9
Electrical Installation.....	10
TROUBLESHOOTING.....	10
PRODUCT FEATURES - BASIC SERIES - 1U/20A.....	11
TECHNICAL SPECIFICATIONS - BASIC SERIES - 1U/20A.....	12
PRODUCT FEATURES - BASIC SERIES - 1U/30A.....	13
TECHNICAL SPECIFICATIONS - BASIC SERIES - 1U/30A.....	14
PRODUCT FEATURES - BASIC SERIES - 0U/10A.....	15
TECHNICAL SPECIFICATIONS - BASIC SERIES - 0U/10A.....	16
PRODUCT FEATURES - BASIC SERIES - 0U/20A.....	17
TECHNICAL SPECIFICATIONS - BASIC SERIES - 0U/20A.....	18
PRODUCT FEATURES - BASIC SERIES - 0U/30A.....	19
TECHNICAL SPECIFICATIONS - BASIC SERIES - 0U/30A.....	20
PRODUCT FEATURES - METERED SERIES - 0U/20A.....	21
TECHNICAL SPECIFICATIONS - METERED SERIES - 0U/20A.....	22
PRODUCT FEATURES - METERED SERIES - 0U/30A.....	23
TECHNICAL SPECIFICATIONS - METERED SERIES - 0U/30A.....	24
CUSTOMER SERVICE & WARRANTY.....	25
Product Registration.....	25
Limited Warranty.....	25
Need Additional Help?.....	25

## MODEL LIST

### Basic Series

PDU20BHVT8R	PDU30BT8F8R
PDU20BHVT10R	PDU30BT10F10R
PDU20BHVT12R	

PDU20BHVIEC8R	PDU30BHVT8R
PDU20BHVIEC10R	PDU30BHVT10R
PDU20BHVIEC12R	PDU30BHVT12R
PDU20BHVIEC12Ra	

### Basic Series 0U

PDU10BVHVIEC16F	PDU30BVT14F
PDU10BVHVIEC20F	PDU30BVT16F
	PDU30BVT20F
PDU20BVHVT16F	PDU30BVT28F
PDU20BVHVT20F	PDU30BVT32F
PDU20BVHVT24F	
PDU20BVHVT32F	PDU30BVHVT16F
PDU20BVHVT38F	PDU30BVHVT20F
	PDU30BVHVT32F
PDU20BVHVIEC16F	PDU30BVHVT38F
PDU20BVHVIEC20F	
PDU20BVHVIEC24F	
PDU20BVHVIEC32F	
PDU20BVHVIEC38F	

### Metered Series 0U

PDU20MVHVT20F	PDU20MVHVIEC24F
PDU20MVHVT30F	PDU20MVHVIEC30F
PDU20MVHVT38F	PDU20MVHVIEC38F
PDU30MVT24F	PDU30MVHVT20F
PDU30MVT32F	PDU30MVHVT30F
	PDU30MVHVT38F

## PDU NAMING CONVENTION

**PDU**   **XX**   **M**   **V**   **HV**   **T**   **F**   **R**   **NET**

1
2
3
4
5
6
7
8

1	Amperage	15 A / 20 A / 30 A
2	Series	B - Basic M - Metered SW - Switched
3	Rack Space	NULL - Horizontal V - Vertical
4	Input Voltage	NULL - 120V HV - High Voltage (200V to 230V)
5	Plug Type	NULL - NEMA 5-15P / 5-20P T - Twist NEMA L5-L6 IEC - IEC C14/C20
6	Outlet Number - Front	Number of Outlets followed by F Example 8F
7	Outlet Number - Rear	Number of Outlets followed by R Example 8R
8	Network Management	NET

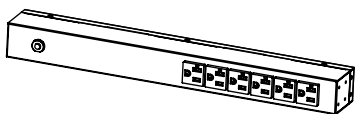
---

## SAFETY PRECAUTIONS

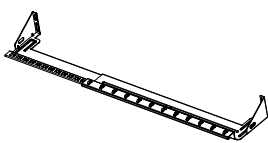
Read the following before installing or operating the Power Distribution Unit (PDU):

1. **CAUTION!** Use ONLY the supplied hardware (including screws, pegs and cord retainer clips) to attach the mounting brackets. Using different hardware or improper installations may cause damage that is NOT covered by this warranty.
2. The PDU must only be plugged into a three-wire, grounded outlet on a circuit protected by a fuse or circuit breaker. Connection to any other type of power outlet may result in a shock hazard.
3. Do not use extension cords or adapters with this PDU.
4. Never install a PDU, or associated wiring or equipment, during a lightning storm.
5. Check that the power cord, plug, and socket are in good condition.
6. The socket-outlet shall be installed near the equipment and shall be easily accessible.
7. **CAUTION!** To prevent the risk of fire or electric shock, this PDU should be installed in a temperature and humidity controlled indoor area free of conductive contaminants. Do not install this PDU where excessive moisture or heat is present.

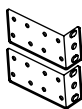
## PACKAGE CONTENTS



1



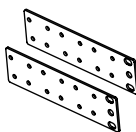
2



3



4



5



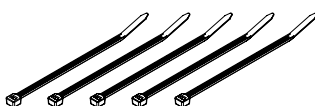
6



7



8



9



10

1. PDU
2. Cord Retention Tray (1/2/3/4 pcs - varies by model)
3. Mounting Brackets: horizontal - 1 set
4. Mounting Brackets: vertical - 1 set
5. Mounting Brackets: vertical - 1 set (OU models only)
6. Bracket Mounting Screws M4 x 6 (4 pcs)
7. Cord Retention Tray Mounting Screws M3 x 6 (4/8/12/16 pcs - varies by model)
8. Keyhold Mounting Pegs (2 pcs)  
Screws M4 x 6 (2 pcs)  
(OU models only)
9. Cable Ties  
(12/15/21/24/30/36/45/48/57 pcs - varies by model)
10. Ground Screw M4 x 6 (1 pc)
11. User's Manual
12. Product Registration Card



**CHECK!**

Before using, please check to ensure the package contains all the items shown above. If there are missing parts please contact CyberPower technical support at [www.cyberpower.com](http://www.cyberpower.com) or call 1-877-297-6937.

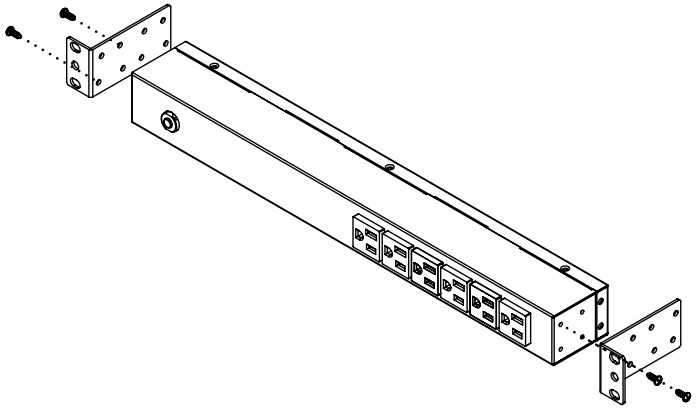
---

## INSTALLATION

### Horizontal Installation for 1U Models

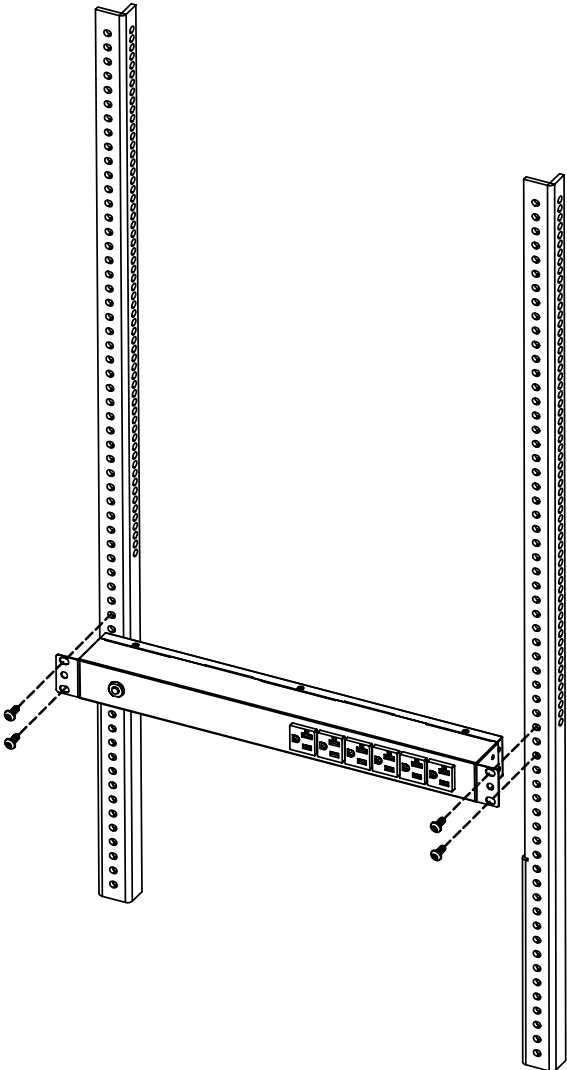
#### Step 1 - Mounting bracket installation

Install the screws (M4 X 6) in holes diagonal from each other.



#### Step 2 - PDU Mounting

Install the PDU using fasteners compatible with the rack.



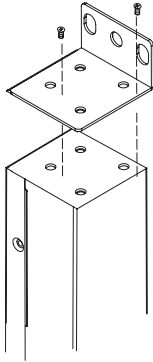
---

## INSTALLATION

### Vertical Installation with Brackets

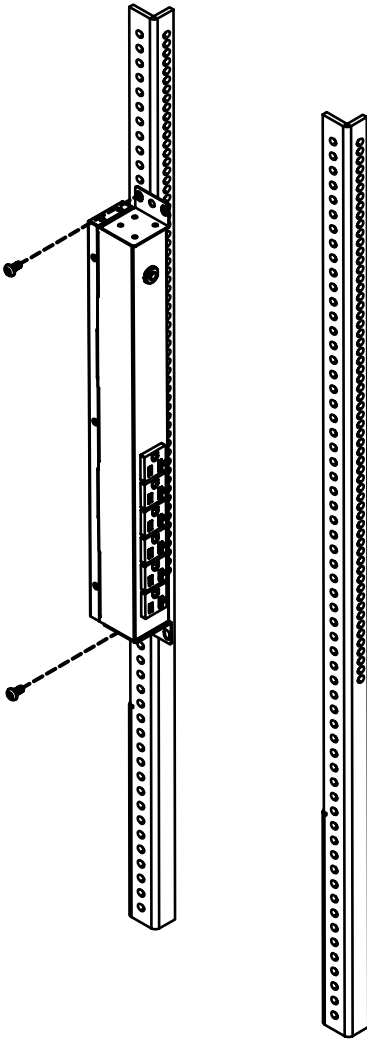
#### Step 1 - Mounting bracket installation

Install the screws (M4 X 6) in holes diagonal from each other.



#### Step 2 - PDU Mounting

Install the PDU using fasteners compatible with the rack.



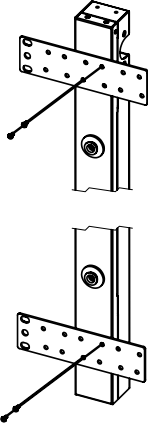
---

## INSTALLATION

### Vertical Installation with Brackets - OU Models

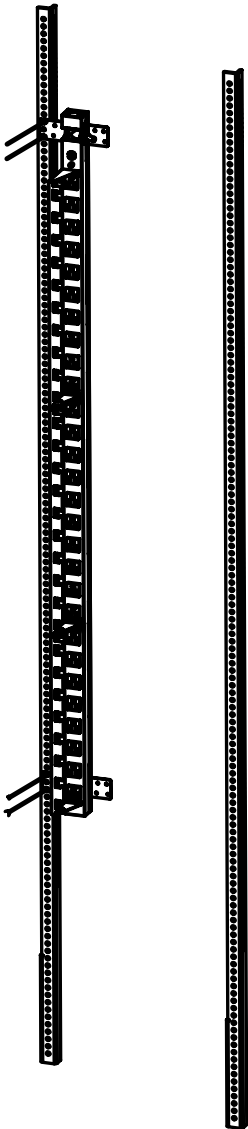
#### Step 1 - Mounting bracket installation

Attach the Vertical Mounting Brackets to the PDU with the four supplied Bracket Mounting Screws (M4 X 6).



#### Step 2 - PDU Mounting

Install the PDU using fasteners compatible with the rack.



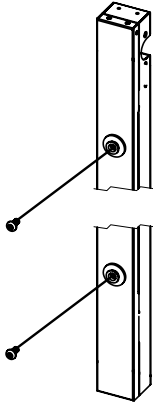
---

## INSTALLATION

### Vertical Installation with Keyhole Mounts - OU Models

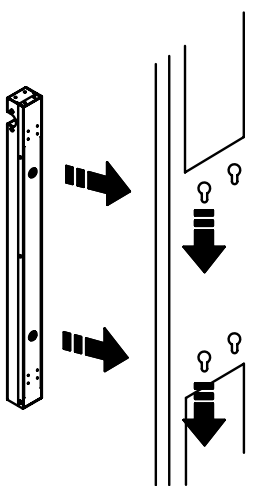
#### Step 1 - Keyhole Mount installation

Attach the Keyhole Mounting Pegs to the PDU with the two supplied Bracket Mounting Screws (M4 X 6).



#### Step 2 - PDU Mounting

Align the the Keyhole Mounts to the Keyhole Slots on the rack. Insert and slide down to lock firmly into place.

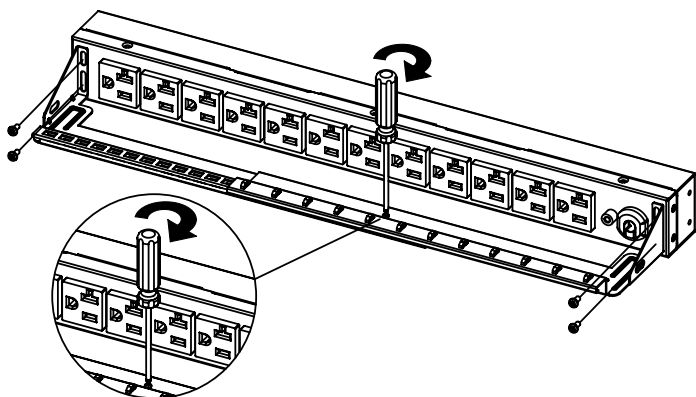


## INSTALLATION

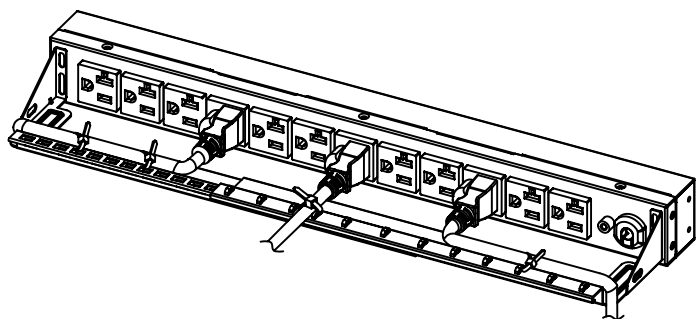
### Cord Retention Tray Installation

(Optional for both horizontal and vertical installations)

Attach the Cord Retention Tray to the PDU with the four supplied Cord Retention Tray Mounting Screws (M3 X 6). Tighten the Cord Retention Tray with the screw on it.

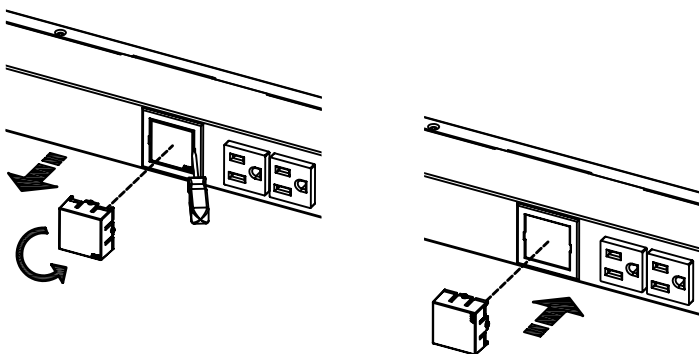


Use the Cable Ties provided to fasten each power cord to the Cord Retention Tray.



### Meter Configuration

Use a screwdriver to gently remove the LED Meter. Rotate the LED Meter 90 degrees, and insert back into the PDU.



CHECK!

Depending on installation method (vertical or horizontal), the LED Meter may need to be rotated, before installation, for proper orientation.

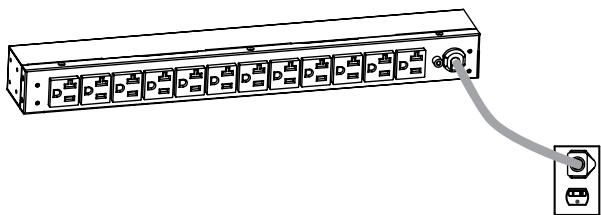
## INSTALLATION

### Electrical Installation

#### Step 1 - Receptacle evaluation

Ensure that the plug type of your PDU unit (e.g. NEMA 5-15P, NEMA 5-20P, NEMA L5-30P) matches the wall receptacle type that you are using.

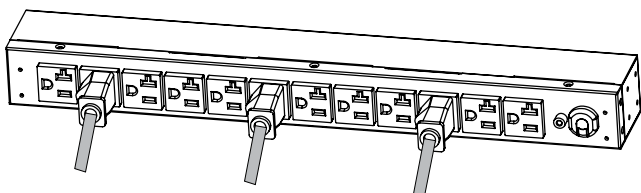
#### STEP 2 - Plug the PDU into the wall receptacle



 <b>CAUTION!</b>	<b>PDU must be plugged into a three-wire, grounded wall receptacle only. The wall receptacle must also be connected to an appropriate branch circuit/main with fuse or circuit breaker protection. Connection to any other type of wall receptacle may result in a shock hazard.</b>
---------------------	--

#### Step 3 - Attach equipment

Before attaching equipment, it is important to calculate the total load that you will be placing on the PDU. It is extremely important not to exceed the PDU's maximum current load (as outlined in the Specifications section). In order to determine your total load, simply add up the amperage of your devices and ensure that it does not exceed the unit's capacity.



## TROUBLESHOOTING

Problem	Possible Cause	Solution
PDU outlets do not provide power to connected equipment	<ol style="list-style-type: none"><li>1. Open breaker</li><li>2. Loose power cord</li></ol>	Reset Breaker check if plug is completely connected. If the problem remains contact tech support.
Amperage displayed on Amperage Meter exceeds the unit's capability (Metered type only)	<ol style="list-style-type: none"><li>1. Overload</li><li>2. Amperage meter is damaged</li></ol>	The meter will flash when overloaded. Reduce the load on the PDU until the overload is gone. If the problem remains contact tech support.
Circuit breaker has tripped	<ol style="list-style-type: none"><li>1. Sustained overload</li><li>2. Excessive ambient or internal temperatures</li><li>3. Faulty breaker</li></ol>	Reset Breaker. If the problem remains, contact technical support.

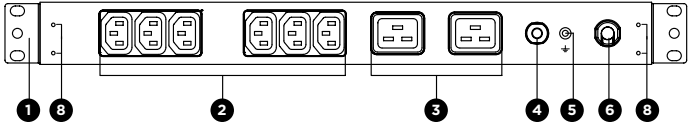
# PRODUCT FEATURES - BASIC SERIES - 1U/20A

## Front view

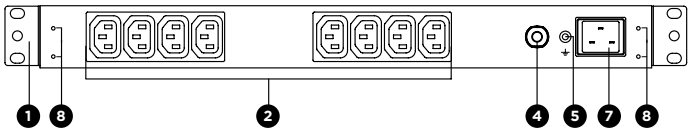


## Rear view

### Twist Type



### IEC Type



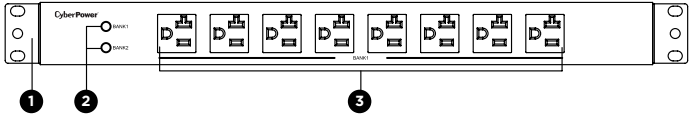
- |                                  |                                       |
|----------------------------------|---------------------------------------|
| 1. Mounting Bracket              | 5. External Site Ground               |
| 2. Back Outlets<br>(IEC 320 C13) | 6. AC Power Cord                      |
| 3. Back Outlets<br>(IEC 320 C19) | 7. AC Inlet (IEC 320 C20)             |
| 4. Circuit Breaker               | 8. Cord Retention Tray<br>Screw Holes |

## TECHNICAL SPECIFICATIONS - BASIC SERIES - 1U/20A

Model Name	PDU20BHVT8R PDU20BHVT10R PDU20BHVT12R	PDU20BHVIEC8R PDU20BHVIEC10R PDU20BHVIEC12R PDU20BHVIEC12Ra
<b>Input</b>		
Voltage	200 - 230 V	
Max Current	20 A	
Regulatory Derated Input Current	16 A	
Circuit Breaker	15 A	20 A
Plug Type	NEMA L6-20P	IEC 320 C20
Power Cord Length	10 ft / 3.0 m	
<b>Output</b>		
Voltage	200 - 230 V	
Max Current	20 A	
Outlet Type	2 x IEC 320 C19 / 6 x C13 2 x IEC 320 C19 / 8 x C13 12 x IEC 320 C13	8 x IEC 320 C13 10 x IEC 320 C13 12 x IEC 320 C13 2 x IEC 320 C19 / 10 x C13
<b>Indicators</b>		
LED Indicators	N/A	
Meter Readout	N/A	
<b>Physical</b>		
Dimensions (W x D x H)	17.5 x 1.5 x 1.75 in. / 44.5 x 3.81 x 4.45 cm	
<b>Environmental</b>		
Humidity	Operating 0 to 95% Non-condensing Non-Operating 0 to 95% Non-condensing	
Altitude	Operating 0ft to 10,000ft Non-Operating 0ft to 50,000ft	
Temperature	Operating 32°F to 95°F Non-Operating 5°F to 113°F	
<b>Safety Approvals</b>		
Certifications	ETL (test followed UL 60950-1) / RoHS	
Warranty	Lifetime	

# PRODUCT FEATURES - BASIC SERIES - 1U/30A

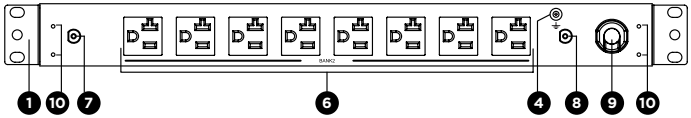
## Front View Normal Type



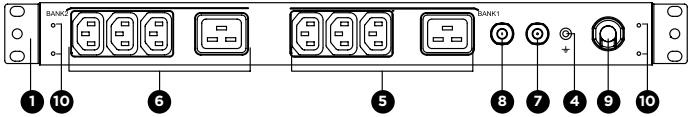
## High Voltage Type



## Rear View Normal Type



## High Voltage Type



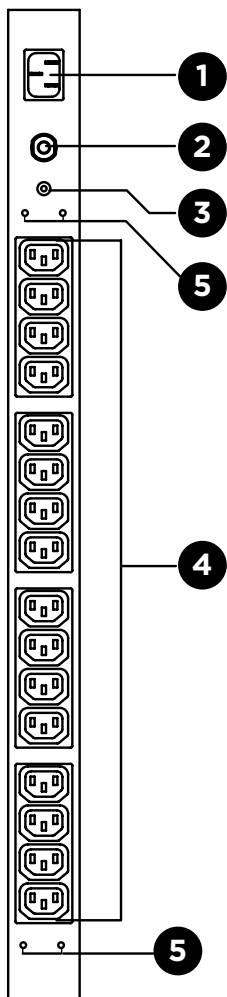
- |                         |  |
|-------------------------|--|
| 1. Mounting Bracket     | 7. Circuit Breaker Bank 1              |
| 2. LED Indicators       | 8. Circuit Breaker Bank 2              |
| 3. Front Bank 1 Outlets | 9. AC Power Cord                       |
| 4. External Site Ground | 10. Cord Retention Tray<br>Screw Holes |
| 5. Rear Bank 1 Outlets  |  |
| 6. Rear Bank 2 Outlets  |  |

## TECHNICAL SPECIFICATIONS - BASIC SERIES - 1U/30A

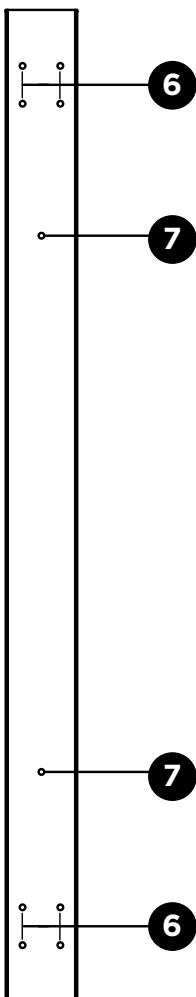
Model Name	PDU30BT8F8R PDU30BT10F10R	PDU30BHVT8R PDU30BHVT10R PDU30BHVT12R
<b>Input</b>		
Voltage	100 - 125 V	200 - 230 V
Max Current	30 A	
Regulatory Derated Input Current	24 A	
Circuit Breaker	20 A x 2	16 A x 2
Plug Type	NEMA L5-30P	NEMA L6-30P
Power Cord Length	12 ft. / 3.7 m	10 ft. / 3.0 m
<b>Output</b>		
Voltage	100 - 125 V	200 - 230 V
Max Current	30 A	
Outlet Type	16 x NEMA 5-20R 20 x NEMA 5-20R	2 x IEC 320 C19 / 6 x C13 2 x IEC 320 C19 / 8 x C13 12 x IEC 320 C13
<b>Indicators</b>		
LED Indicators	Bank 2 (green) / Bank 2 (green)	
Meter Readout	N/A	
<b>Physical</b>		
Dimensions (WxDxH)	17.5 x 2.25 x 1.75 in. 44.5 x 5.72 x 4.45 cm	17.5 x 1.5 x 1.75 in. 44.5 x 3.81 x 4.45 cm
<b>Environmental</b>		
Humidity	Operating 0 to 95% Non-condensing Non-Operating 0 to 95% Non-condensing	
Altitude	Operating 0ft to 10,000ft Non-Operating 0ft to 50,000ft	
Temperature	Operating 32°F to 95°F Non-Operating 5°F to 113°F	
<b>Safety Approvals</b>		
Certifications	ETL (test followed UL 60950-1) / RoHS	
Warranty	Lifetime	

**PRODUCT FEATURES - BASIC SERIES - 0U/10A**

**Front View**



**Rear View**



- 1. AC Inlet (IEC 320 C14)
- 2. Circuit Breaker
- 3. External Site Ground
- 4. Front Outlets
- 5. Cord Retention Tray Screw Holes

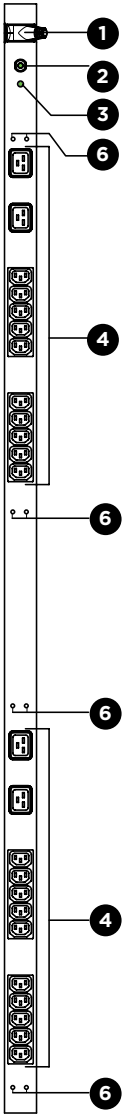
- 6. Bracket Screw Hole
- 7. Keyhole Mount Peg Screw Holes

## TECHNICAL SPECIFICATIONS - BASIC SERIES - 0U/10A

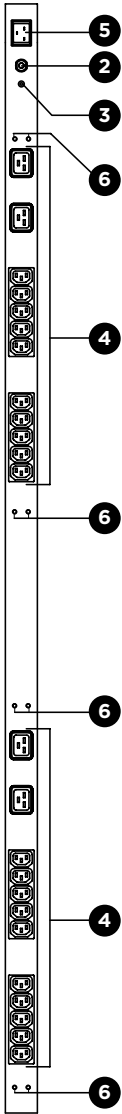
Model Name	PDU10BVHVIEC16F PDU10BVHVIEC20F
<b>Input</b>	
Voltage	200 - 230 V
Max Current	10 A
Input Current	10 A
Circuit Breaker	10 A
Plug Type	IEC C14
Power Cord Length	10 ft. / 3.0 m
<b>Output</b>	
Voltage	200 - 230 V
Max Current	10 A
Outlet Type	16 x IEC 320 C13 4 x IEC 320 C19 / 16 x C13
<b>Indicators</b>	
LED Indicators	N/A
Meter Readout	N/A
<b>Physical</b>	
Dimensions (WxDxH)	1.75 x 1.5 x 24 in. / 4.45 x 3.81 x 60.96 cm 1.75 x 1.5 x 36 in. / 4.45 x 3.81 x 91.44 cm
<b>Environmental</b>	
Humidity	Operating 0 to 95% Non-condensing Non-Operating 0 to 95% Non-condensing
Altitude	Operating 0ft to 10,000ft Non-Operating 0ft to 50,000ft
Temperature	Operating 32°F to 95°F Non-Operating 5°F to 113°F
<b>Safety Approvals</b>	
Certifications	ETL (test followed UL 60950-1) / RoHS
Warranty	Lifetime

**PRODUCT FEATURES - BASIC SERIES - 0U/20A**

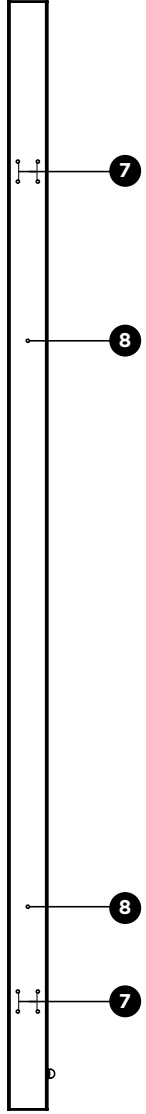
**Front View  
Twist Type**



**High Voltage Type**



**Rear View**



- 1. AC Power Cord
- 2. Circuit Breaker
- 3. External Site Ground
- 4. Front Outlets
- 5. AC Inlet (IEC 320 C20)
- 6. Cord Retention Tray Screw Holes

- 7. Bracket Screw Hole
- 8. Keyhole Mount Peg Screw Holes

## TECHNICAL SPECIFICATIONS - BASIC SERIES - 0U/20A

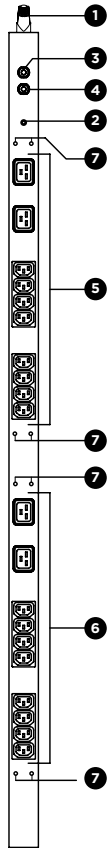
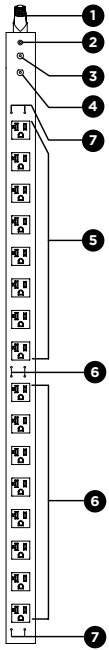
Model Name	PDU20BVHVT16F PDU20BVHVT20F PDU20BVHVT24F PDU20BVHVT32F PDU20BVHVT38F	PDU20BVHVIEC16F PDU20BVHVIEC20F PDU20BVHVIEC24F PDU20BVHVIEC32F PDU20BVHVIEC38F
<b>Input</b>		
Voltage	200 - 230 V	
Max Current	20 A	
Regulatory Derated Input Current	16 A	
Circuit Breaker	16 A	
Plug Type	NEMA L6-20P	IEC 320 C20
Power Cord Length	10 ft. / 3.0 m	
<b>Output</b>		
Voltage	200 - 230 V	
Max Current	20 A	
Outlet Type	16 x IEC 320 C13 4 x IEC 320 C19 / 16 x C13 4 x IEC 320 C19 / 20 x C13 8 x IEC 320 C19 / 24 x C13 8 x IEC 320 C19 / 30 x C13	
<b>Indicators</b>		
LED Indicators	N/A	
Meter Readout	N/A	
<b>Physical</b>		
Dimensions (WxDxH)	1.75 x 1.5 x 24 in. / 4.45 x 3.81 x 60.96 cm 1.75 x 1.5 x 36 in. / 4.45 x 3.81 x 91.44 cm 1.75 x 1.5 x 48 in. / 4.45 x 3.81 x 121.92cm 1.75 x 1.5 x 60 in. / 4.45 x 3.81 x 152.40 cm 1.75 x 1.5 x 70 in. / 4.45 x 3.81 x 177.80 cm	
<b>Environmental</b>		
Humidity	Operating 0 to 95% Non-condensing Non-Operating 0 to 95% Non-condensing	
Altitude	Operating 0ft to 10,000ft Non-Operating 0ft to 50,000ft	
Temperature	Operating 32°F to 95°F Non-Operating 5°F to 113°F	
<b>Safety Approvals</b>		
Certifications	ETL (test followed UL 60950-1) / RoHS	
Warranty	Lifetime	

**PRODUCT FEATURES - BASIC SERIES - OU/30A**

**Front View**

**Normal Type**

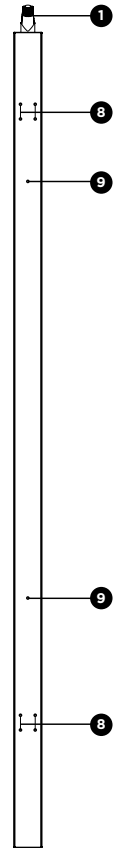
**High Voltage Type**



**Rear View**

**Normal Type**

**High Voltage Type**



- 1. AC Power Cord
- 2. External Site Ground
- 3. Circuit Breaker (Bank 1)
- 4. Circuit Breaker (Bank 2)
- 5. Front Outlets (Bank 1)
- 6. Front Outlets (Bank 2)
- 7. Cord Retention Tray Screw Holes

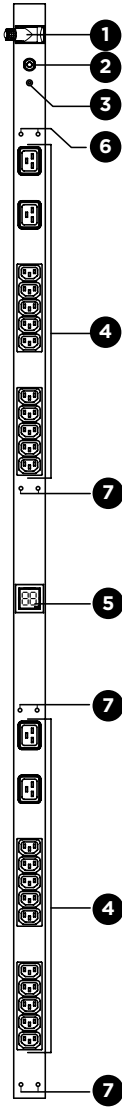
- 8. Bracket Screw Hole
- 9. Keyhole Mount Peg Screw Holes

## TECHNICAL SPECIFICATIONS - BASIC SERIES - 0U/30A

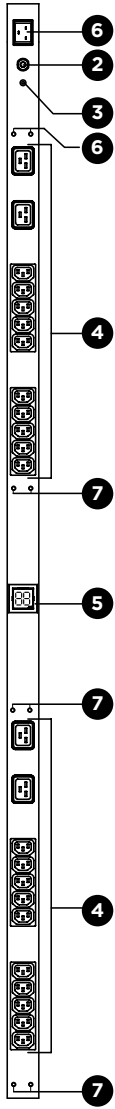
Model Name	PDU30BVT14F PDU30BVT16F PDU30BVT20F PDU30BVT28F PDU30BVT32F	PDU30BVHVT16F PDU30BVHVT20F PDU30BVHVT32F PDU30BVHVT38F
<b>Input</b>		
Voltage	100 - 125 V	200 - 230 V
Max Current	30 A	
Regulatory Derated Input Current	24 A	
Circuit Breaker	20 A x 2	16 A x 2
Plug Type	NEMA L5-30P	NEMA L6-30P
Power Cord Length	10 ft. / 3.0 m	
<b>Output</b>		
Voltage	100 - 125 V	200 - 230 V
Max Current	30 A	
Outlet Type	14 x NEMA 5-20R 16 x NEMA 5-20R 20 x NEMA 5-20R 28 x NEMA 5-20R 32 x NEMA 5-20R	16 x IEC 320 C13 4 x IEC 320 C19 / 16 x C13 8 x IEC 320 C19 / 24 x C13 8 x IEC 320 C19 / 30 x C13
<b>Indicators</b>		
LED Indicators	N/A	
Meter Readout	N/A	
<b>Physical</b>		
Dimensions (WxDxH)	1.75 x 2.25 x 24 in. 4.45 x 5.72 x 60.96 cm  1.75 x 2.25 x 36 in. 4.45x5.72x91.44 cm  1.75 x 2.25 x 48 in. 4.45 x 5.72 x 121.92 cm  1.75 x 2.25 x 60 in. / 4.45 x 5.72 x 152.40 cm  1.75 x 2.25 x 70 in. 4.45 x 5.72 x 177.80 cm	1.75 x 1.5 x 24 in. 4.45 x 3.81 x 60.96 cm  1.75 x 1.5 x 36 in. 4.45 x 3.81 x 91.44 cm  1.75 x 1.5 x 60 in. 4.45 x 3.81 x 152.40 cm  1.75 x 1.5 x 70 in. 4.45 x 3.81 x 177.80 cm
<b>Environmental</b>		
Humidity	Operating 0 to 95% Non-condensing Non-Operating 0 to 95% Non-condensing	
Altitude	Operating 0ft to 10,000ft Non-Operating 0ft to 50,000ft	
Temperature	Operating 32°F to 95°F Non-Operating 5°F to 113°F	
<b>Safety Approvals</b>		
Certifications	ETL (test followed UL 60950-1) / RoHS	
Warranty	Lifetime	

**PRODUCT FEATURES - METERED SERIES - OU/20A**

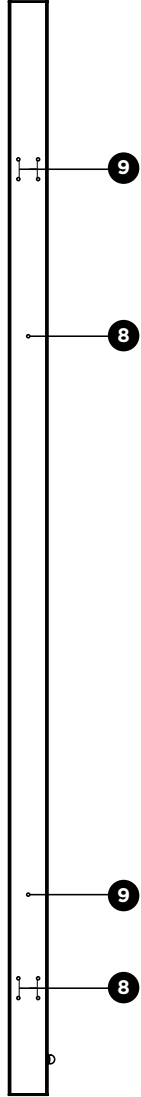
**Front View  
Twist Type**



**High Voltage Type**



**Rear View**



- 1. AC Power Cord
- 2. Circuit Breaker
- 3. External Site Ground
- 4. Front Outlets
- 5. Meter Readout
- 6. AC Inlet (IEC 320 C20)
- 7. Cord Retention Tray  
Screw Holes

- 8. Bracket Screw Hole
- 9. Keyhole Mount Peg  
Screw Holes

## TECHNICAL SPECIFICATIONS - METERED SERIES - 0U/20A

Model Name	PDU20MVHVT20F PDU20MVHVT30F PDU20MVHVT38F	PDU20MVHVIEC24F PDU20MVHVIEC30F PDU20MVHVIEC38F
<b>Input</b>		
Voltage	200 - 230 V	
Max Current	20 A	
Regulatory Derated Input Current	16 A	
Circuit Breaker	20 A	
Plug Type	NEMA L6-20P	IEC 320 C20
Power Cord Length	10 ft. / 3.0 m	
<b>Output</b>		
Voltage	200 - 230 V	
Max Current	20 A	
Outlet Type	4 x IEC 320 C19 / 16 x C13 6 x IEC 320 C19 / 24 x C13 8 x IEC 320 C19 / 30 x C13	4 x IEC 320 C19 / 20 x C13 6 x IEC 320 C19 / 24 x C13 8 x IEC 320 C19 / 30 x C13
<b>Indicators</b>		
LED Indicators	N/A	
Meter Readout	Amperage	
<b>Physical</b>		
Dimensions (WxDxH)	1.75 x 1.5 x 48 in. / 4.45 x 3.81 x 121.92 cm 1.75 x 1.5 x 60 in. / 4.45 x 3.81 x 152.40 cm 1.75 x 1.5 x 70 in. / 4.45 x 3.81 x 177.80 cm	
<b>Environmental</b>		
Humidity	Operating 0 to 95% Non-condensing Non-Operating 0 to 95% Non-condensing	
Altitude	Operating 0ft to 10,000ft Non-Operating 0ft to 50,000ft	
Temperature	Operating 32°F to 95°F Non-Operating 5°F to 113°F	
<b>Safety Approvals</b>		
Certifications	ETL (test followed UL 60950-1) / RoHS	
Warranty	Lifetime	

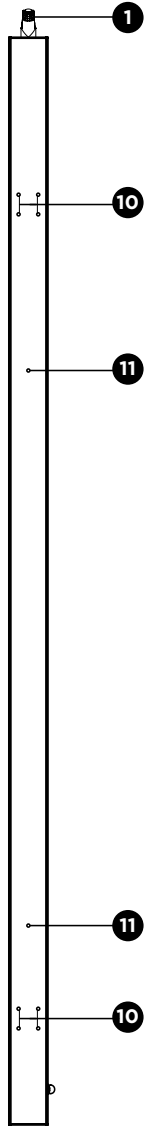
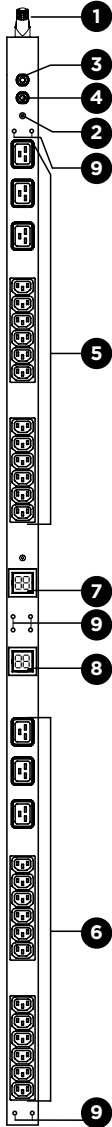
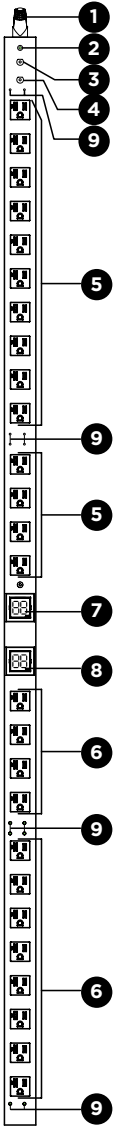
**PRODUCT FEATURES - METERED SERIES - OU/30A**

**Front View**

**Rear View**

**Normal Type**

**High Voltage Type**



- 1. AC Power Cord
- 2. External Site Ground
- 3. Circuit Breaker (Bank 1)
- 4. Circuit Breaker (Bank 2)
- 5. Front Outlets (Bank 1)
- 6. Front Outlets (Bank 2)
- 7. Meter Readout (Bank 1)
- 8. Meter Readout (Bank 2)
- 9. Cord Retention Tray Screw Holes

- 10. Bracket Screw Hole
- 11. Keyhole Mount Peg Screw Holes

## TECHNICAL SPECIFICATIONS - METERED SERIES - 0U/30A

Model Name	PDU30MVT24F PDU30MVT32F	PDU30MVHVT20F PDU30MVHVT30F PDU30MVHVT38F
<b>Input</b>		
Voltage	100 - 125 V	200 - 230 V
Max Current	30 A	
Regulatory Derated Input Current	24 A	
Circuit Breaker	20 A x 2	16 A x 2
Plug Type	NEMA L5-30P	NEMA L6-30P
Power Cord Length	10 ft. / 3.0 m	
<b>Output</b>		
Voltage	100 - 125 V	200 - 230 V
Max Current	30 A	
Outlet Type	24 x NEMA 5-20R 32 x NEMA 5-20R	4 x IEC 320 C19 / 16 x C13 6 x IEC 320 C19 / 24 x C13 8 x IEC 320 C19 / 30 x C13
<b>Indicators</b>		
LED Indicators	N/A	
Meter Readout	2 Amperage	
<b>Physical</b>		
Dimensions (W x D x H)	1.75 x 2.25 x 60 in. 4.45 x 5.72 x 152.40 cm 1.75 x 2.25 x 70 in. 4.45 x 5.72 x 177.80 cm	1.75 x 1.5 x 48 in. 4.45 x 3.81 x 121.92 cm 1.75 x 1.5 x 60 in. 4.45 x 3.81 x 152.40 cm 1.75 x 1.5 x 70 in. 4.45 x 3.81 x 177.80 cm
<b>Environmental</b>		
Humidity	Operating 0 to 95% Non-condensing Non-Operating 0 to 95% Non-condensing	
Altitude	Operating 0ft to 10,000ft Non-Operating 0ft to 50,000ft	
Temperature	Operating 32°F to 95°F Non-Operating 5°F to 113°F	
<b>Safety Approvals</b>		
Certifications	ETL (test followed UL 60950-1) / RoHS	
Warranty	Lifetime	

---

## **CUSTOMER SERVICE & WARRANTY**

### **Product Registration**

Thank you for purchasing a CyberPower product. Prompt product registration entitles coverage under the Limited Warranty and Connected Equipment Guarantee, and also allows the opportunity to be notified of product enhancements, upgrades, and other announcements.

Registration is quick and easy at [www.cyberpower.com](http://www.cyberpower.com) under "Support".

### **Limited Warranty**

Please visit [www.CyberPowerSystems.com](http://www.CyberPowerSystems.com) for a copy of the Limited Warranty.

### **Need Additional Help?**

Feel free to contact our Tech Support department with installation, troubleshooting, or general product questions.

CyberPower Technical Support

[www.cyberpower.com](http://www.cyberpower.com)

4241 12th Ave East, Suite 400

Shakopee, MN 55379

Toll-free: (877) 297-6937

