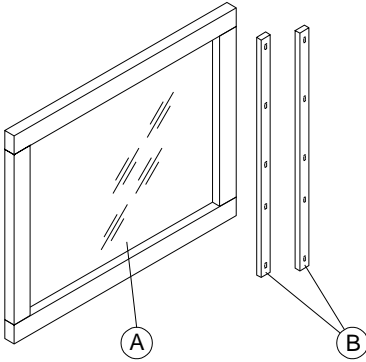


# HEATH DRESSER MIRROR ASSEMBLY INSTRUCTIONS



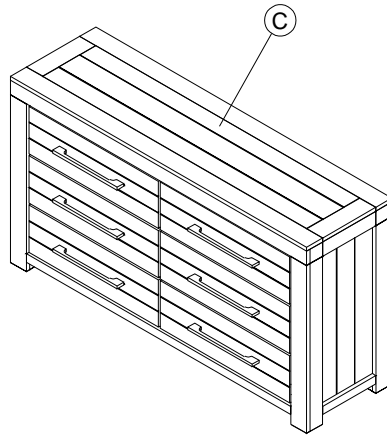
## BOX #1:

- A. DRESSER MIRROR 1 PC
- B. MIRROR SUPPORTS 2 PCS
- \* MIRROR HARDWARE PACK



## BOX #2:

- C. DRESSER (SOLD SEPARATELY) 1 PC



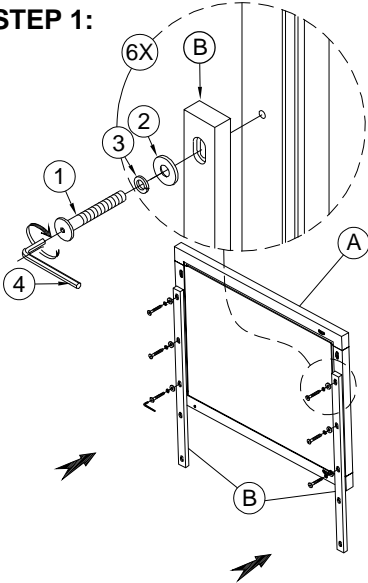
## HARDWARE KIT PACKED IN BOX #1

No.	Description	Image	Quantity
1	ALLEN BOLT (8x40mm)		10 PCS
2	FLAT WASHER (M9)		10 PCS
3	SPRING WASHER (M9)		10 PCS
4	ALLEN KEY		1 PC

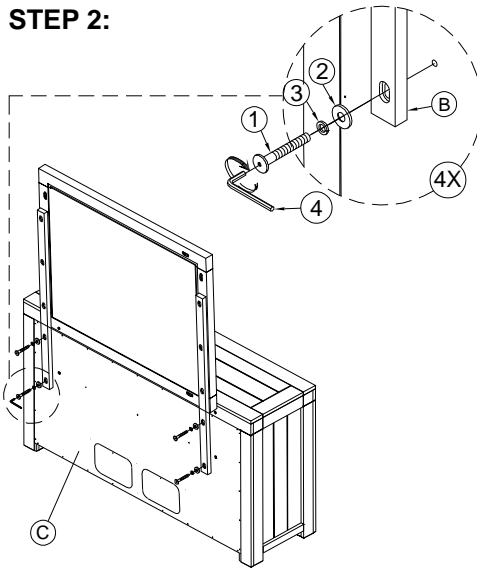


## OPTION 1: DRESSER MOUNTING

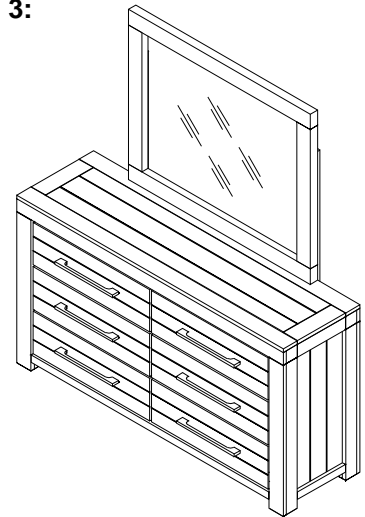
### STEP 1:



### STEP 2:



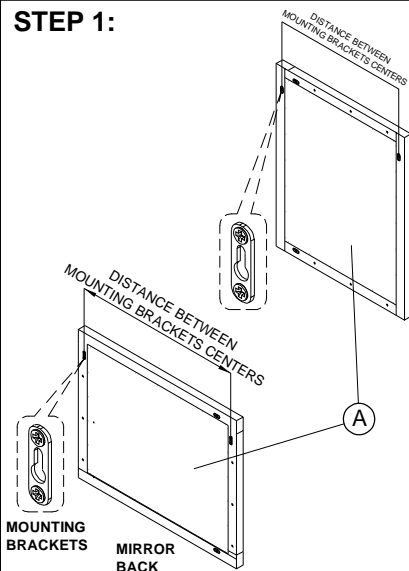
### STEP 3:



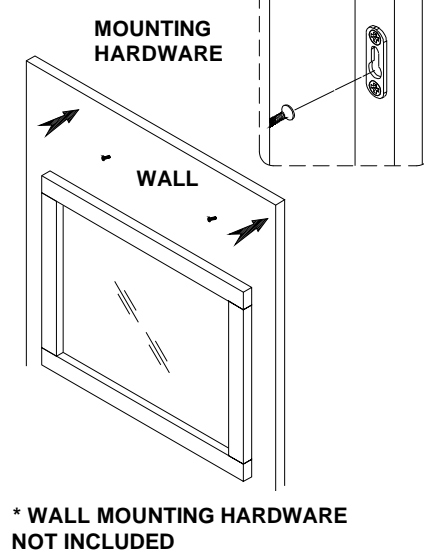
**ASSEMBLY COMPLETE**

## OPTION 2: WALL MOUNTING

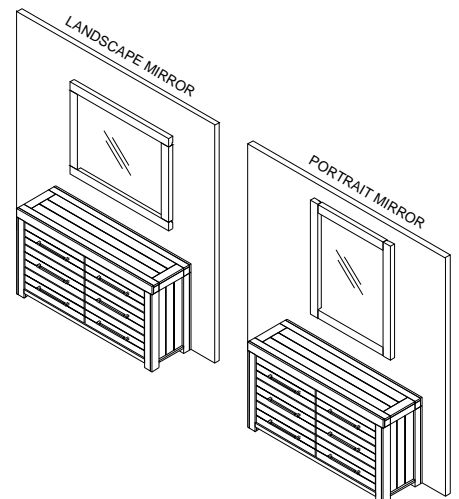
### STEP 1:



### STEP 2:



### STEP 3:



**ASSEMBLY COMPLETE**