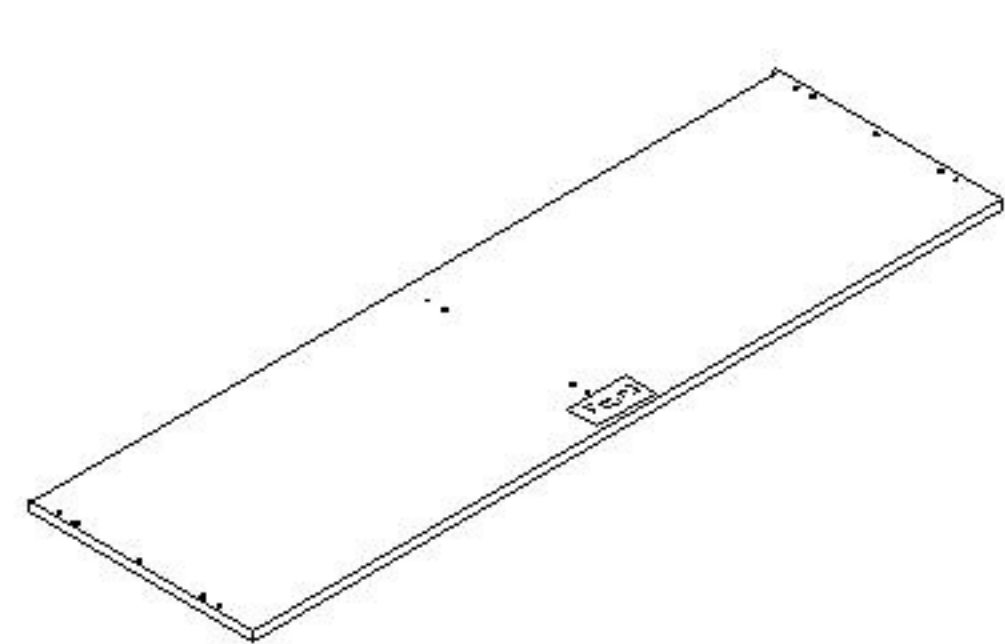


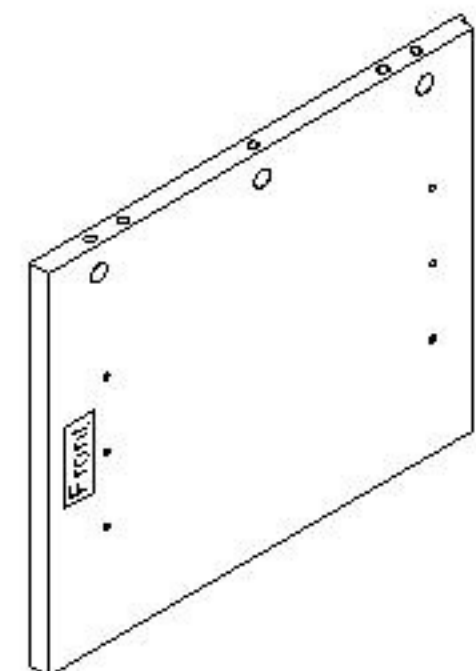
# ASSEMBLY INSTRUCTION

## 59"W TV STAND

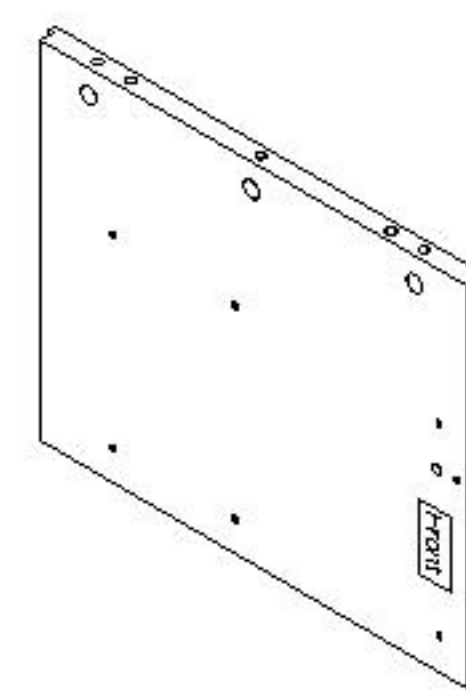
**1** Top Panel    **2** Left Side Panel    **3** Right Side Panel    **4** Bottom Panel



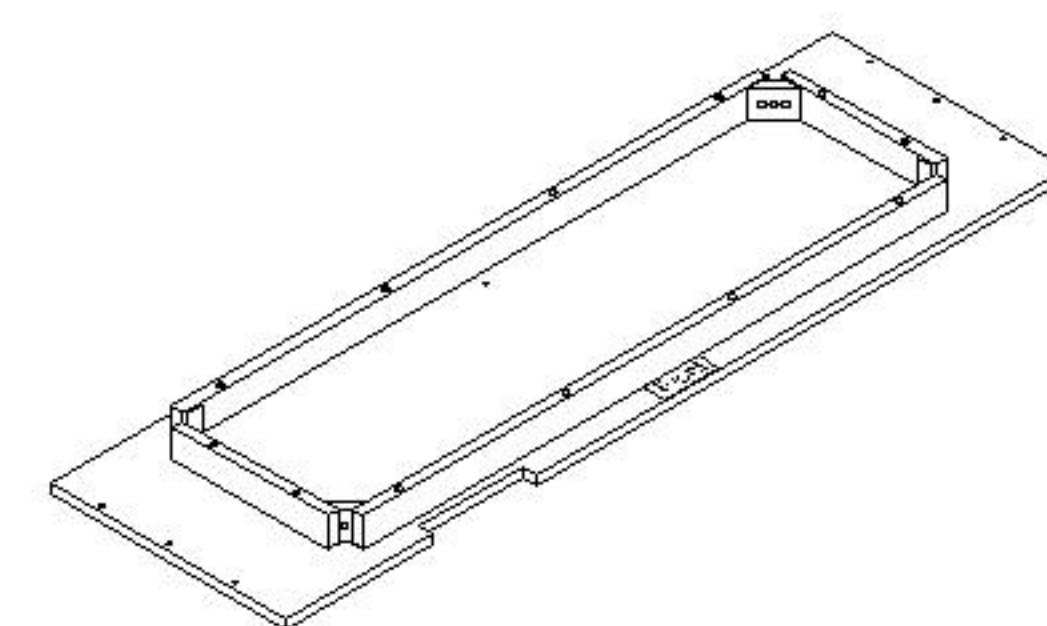
1pc



1pc

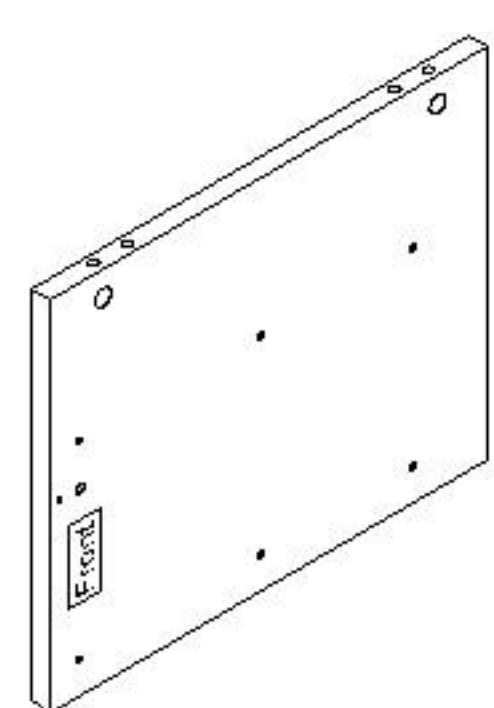


1pc

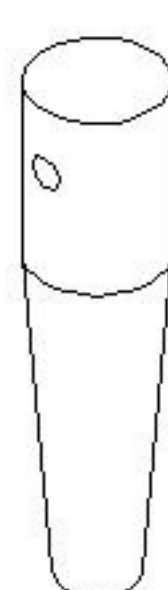


1pc

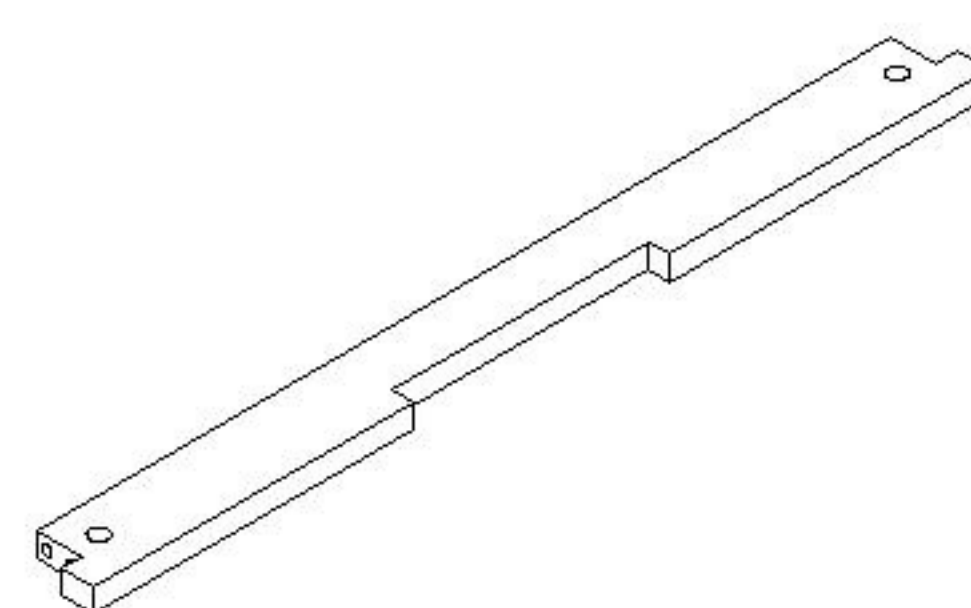
**5** Partition    **6** Leg    **7** Center Bar    **8** Shelving



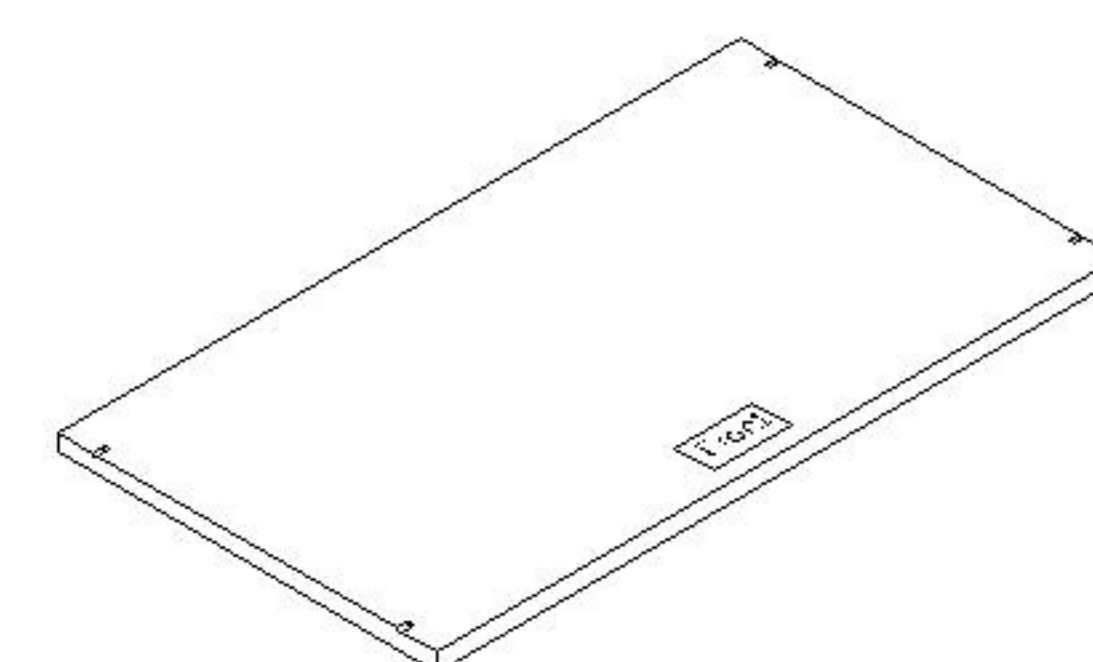
1pc



4pcs

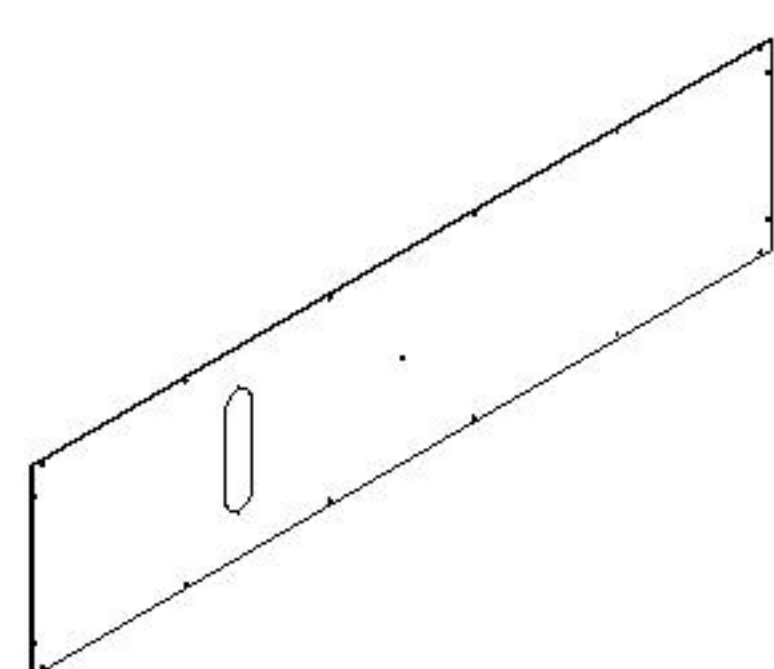


1pc

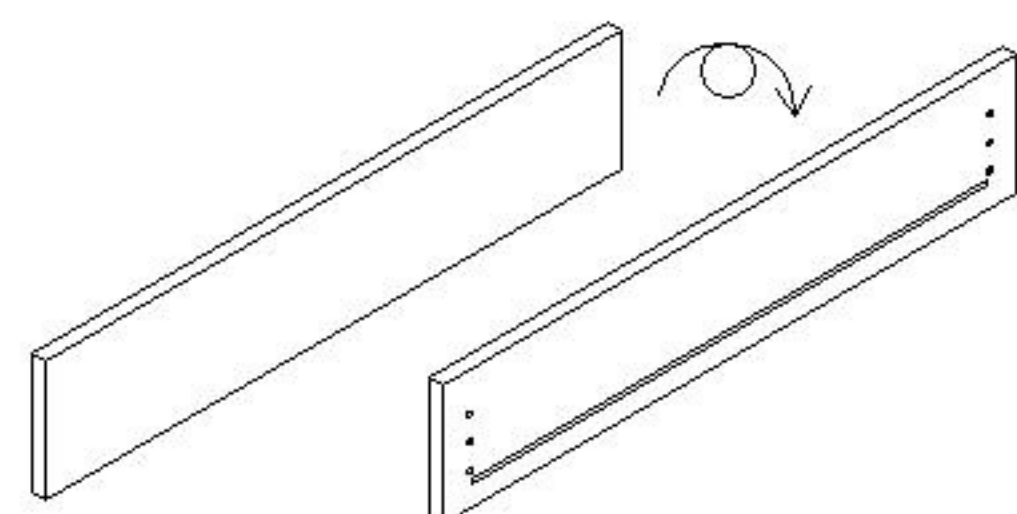


1pc

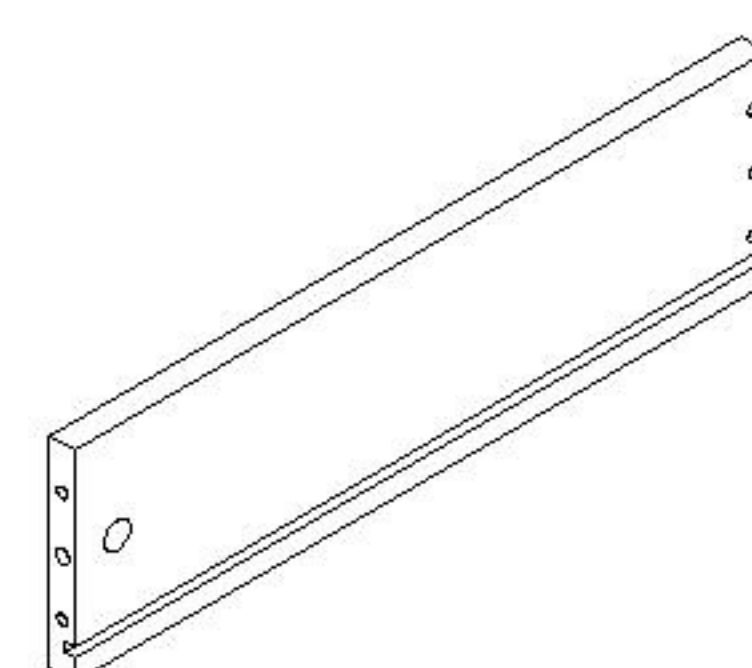
**9** Back Plywood    **101** Top Drawer Front    **102** Left Drawer Side    **103** Drawer Back



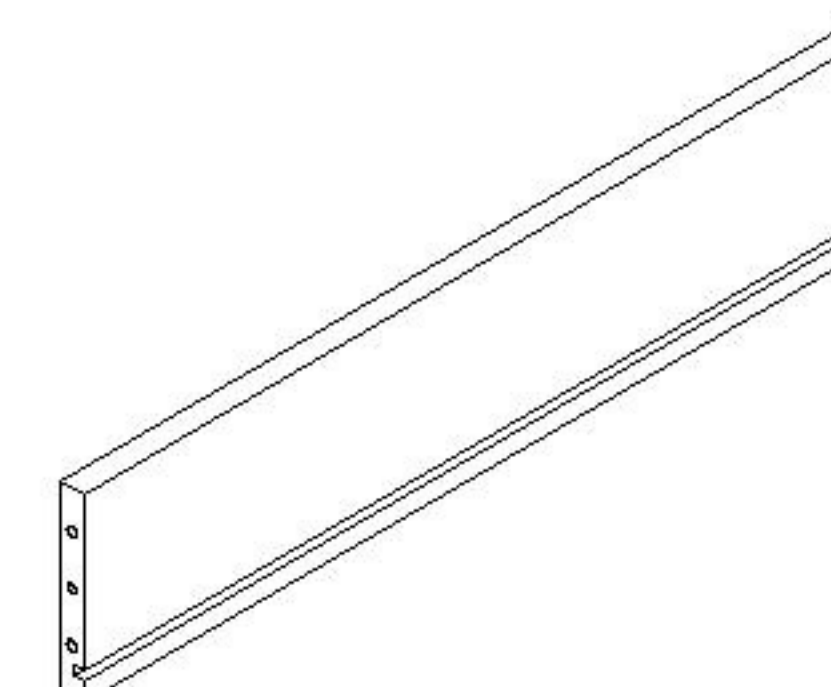
1pc



1pc

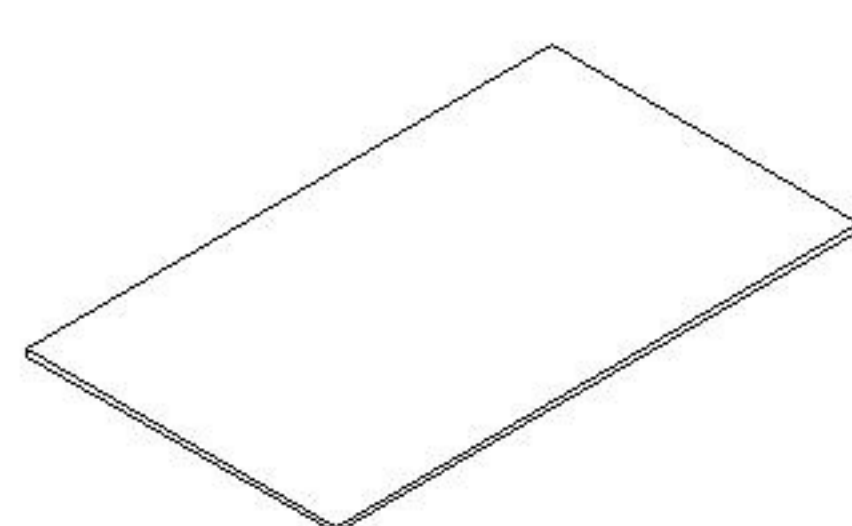


2pcs

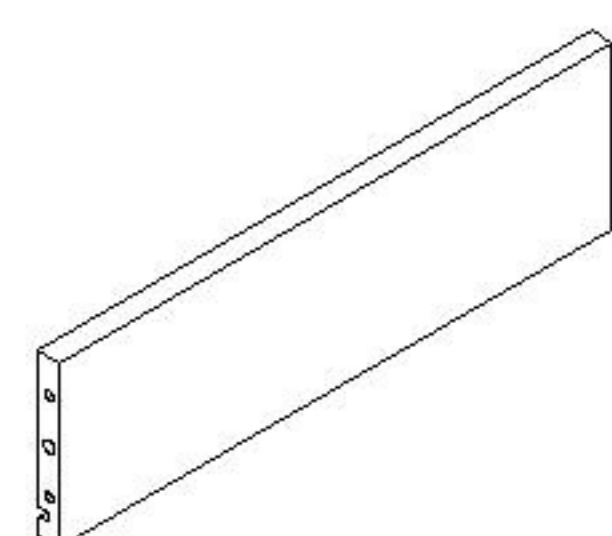


2pcs

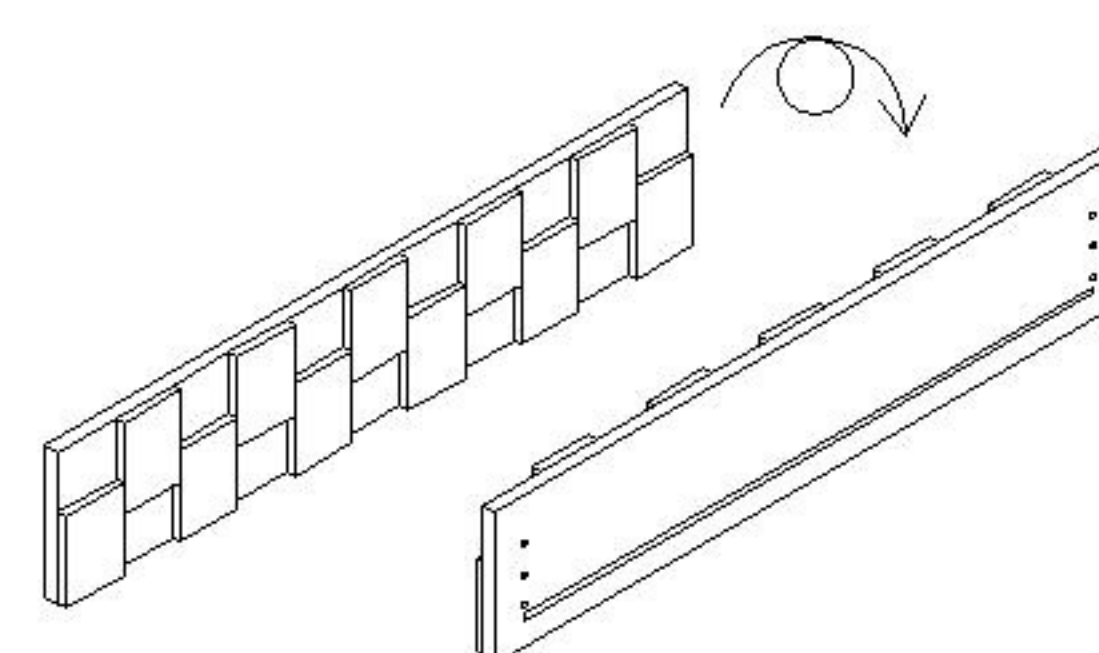
**104** Drawer Base    **105** Right Drawer Side    **106** Bottom Drawer Front    **A** Screw M3 x 16mm



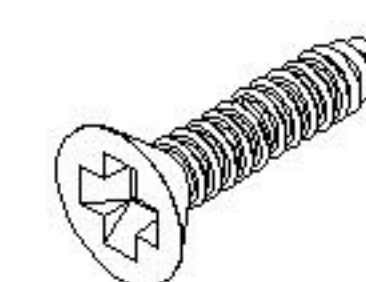
2pcs



2pcs

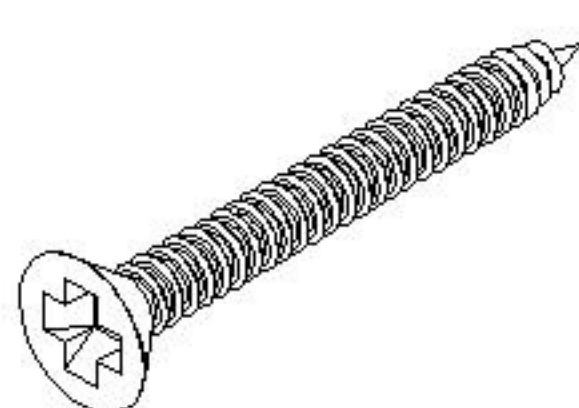


1pc

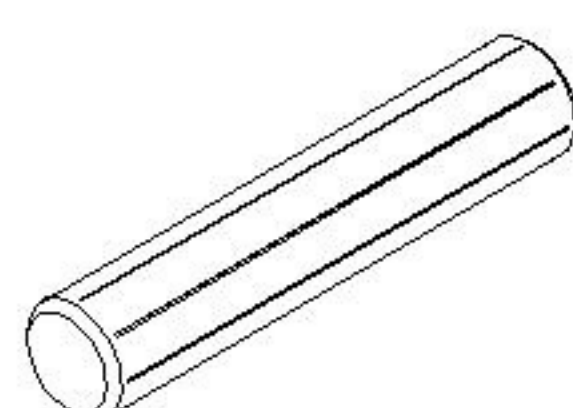


24pcs

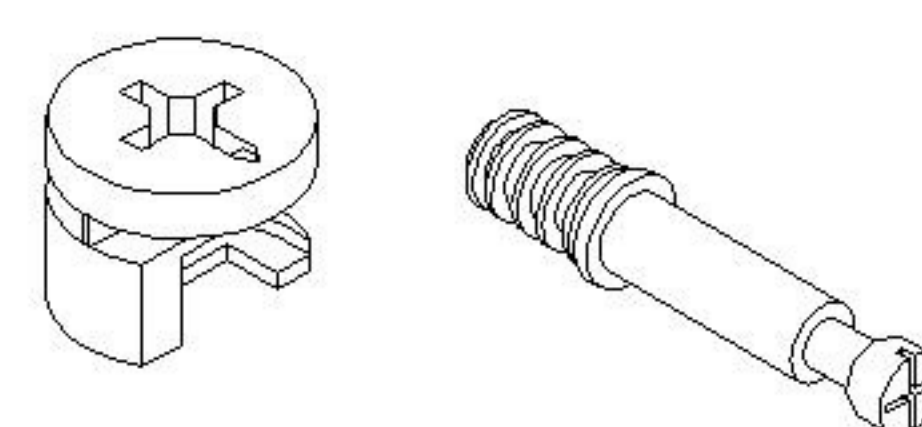
**B** Screw M4 x 38mm    **C** Dowel M8 x 35mm    **D** Cam Lock & Cam Bolt 15 x 12mm / 5 x 25mm    **E** Dowel M6 x 30mm



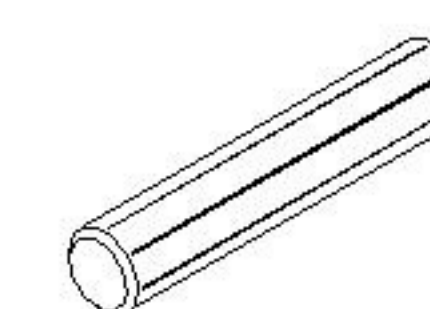
8pcs



14pcs

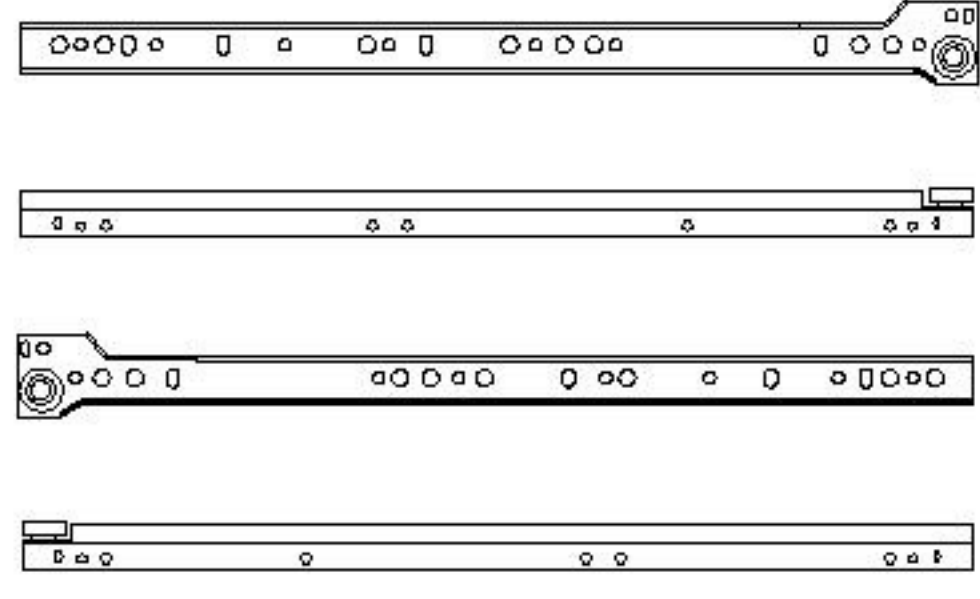


18sets



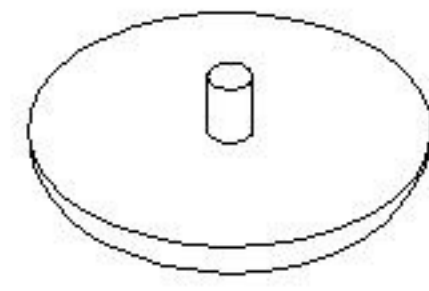
16pcs

**F** Runner  
400mm



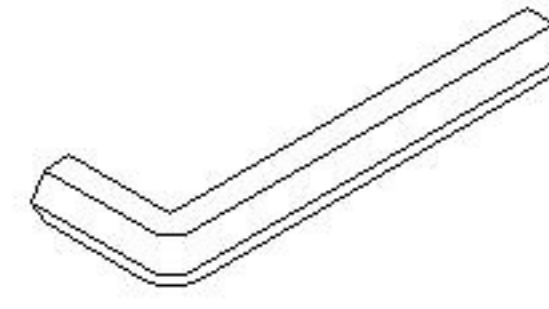
2sets

**G** Cam Lock Cover  
17 x 5mm



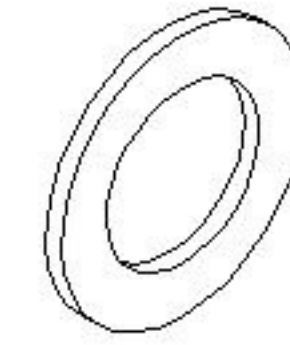
18pcs

**H** Allen Key  
M4



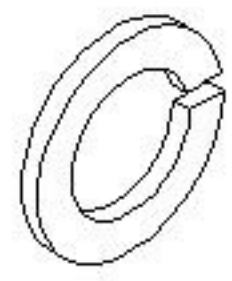
1pc

**I** Flat Washer  
M6



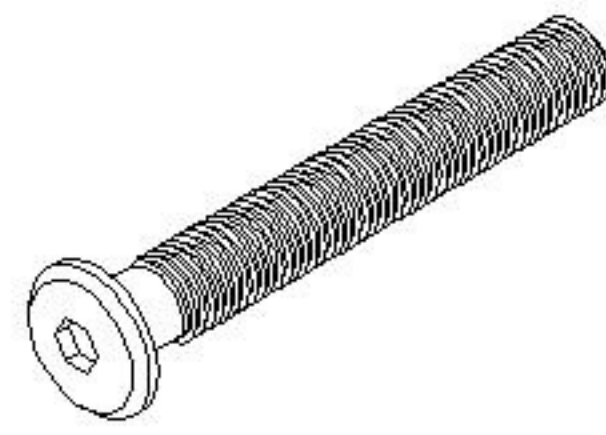
4pcs

**J** Spring Washer  
M6



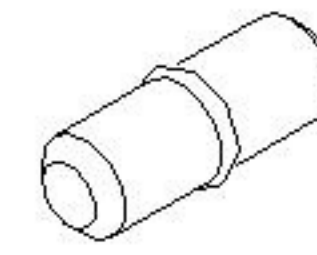
4pcs

**K** JCBC Screw  
M6 x 45mm



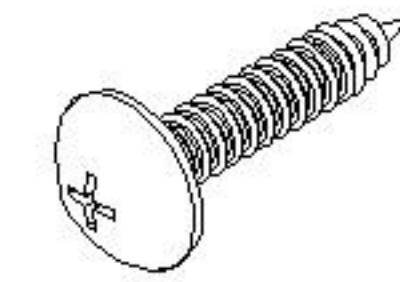
4pcs

**L** Shelving Support  
M5 x 15mm

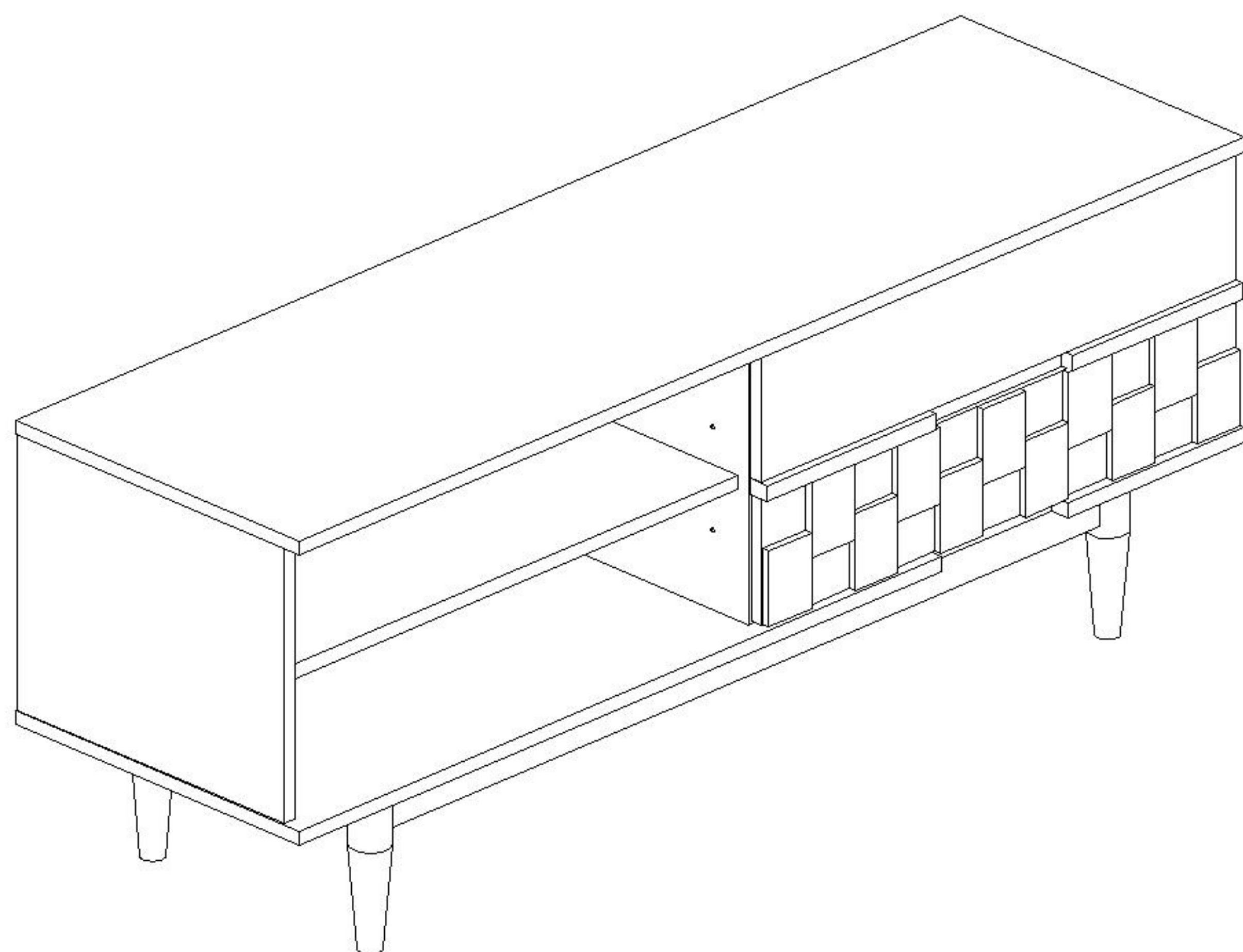


4pcs

**M** Panhead Screw  
M4 x 16mm-Black



17pcs

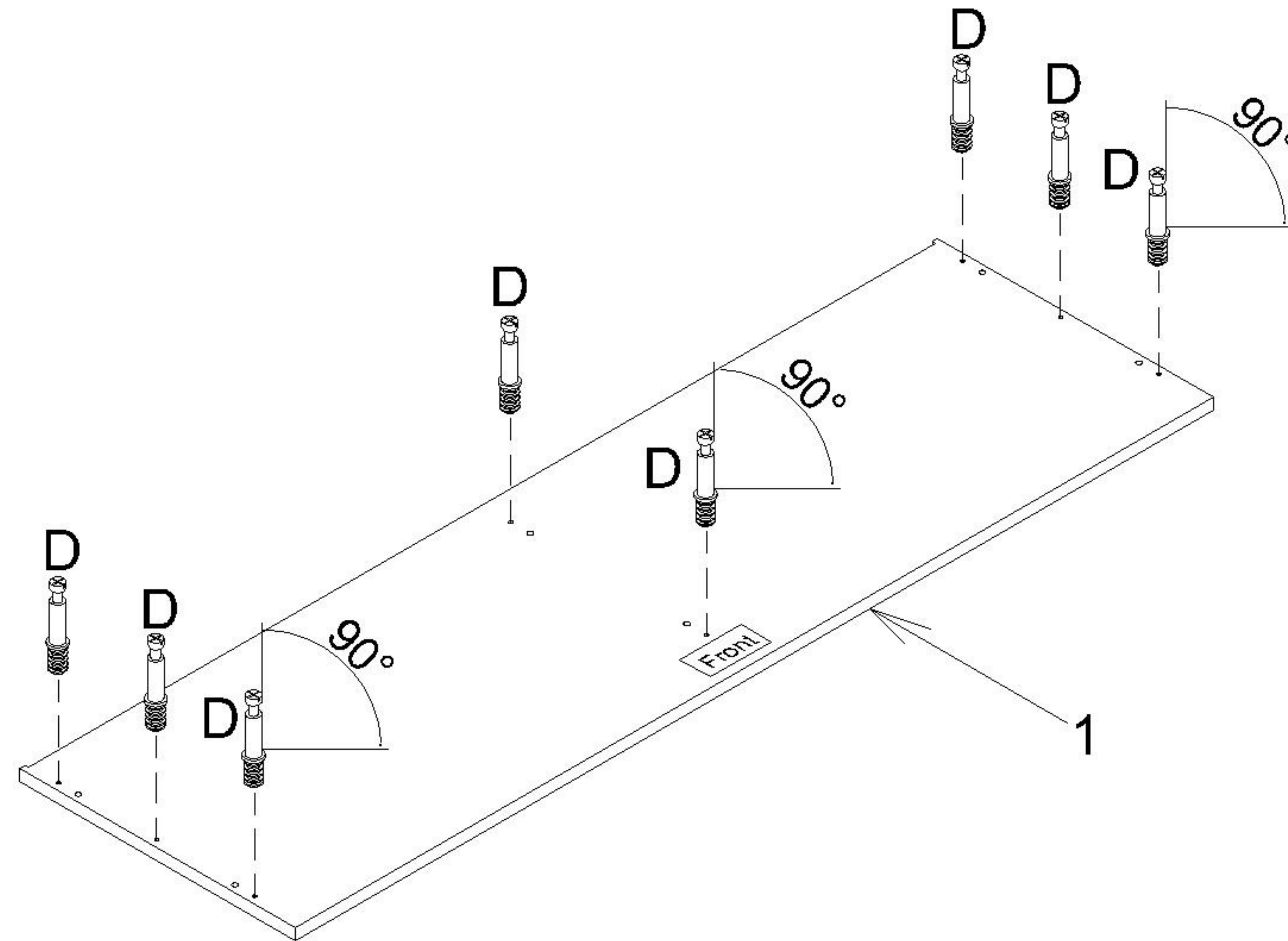


These pages list all the contents included in the box. Please take the time to identify the hardware as well as the individual components to this product. As you unpack and prepare for assembly, place the contents on a carpeted or padded area to protect them from damage.



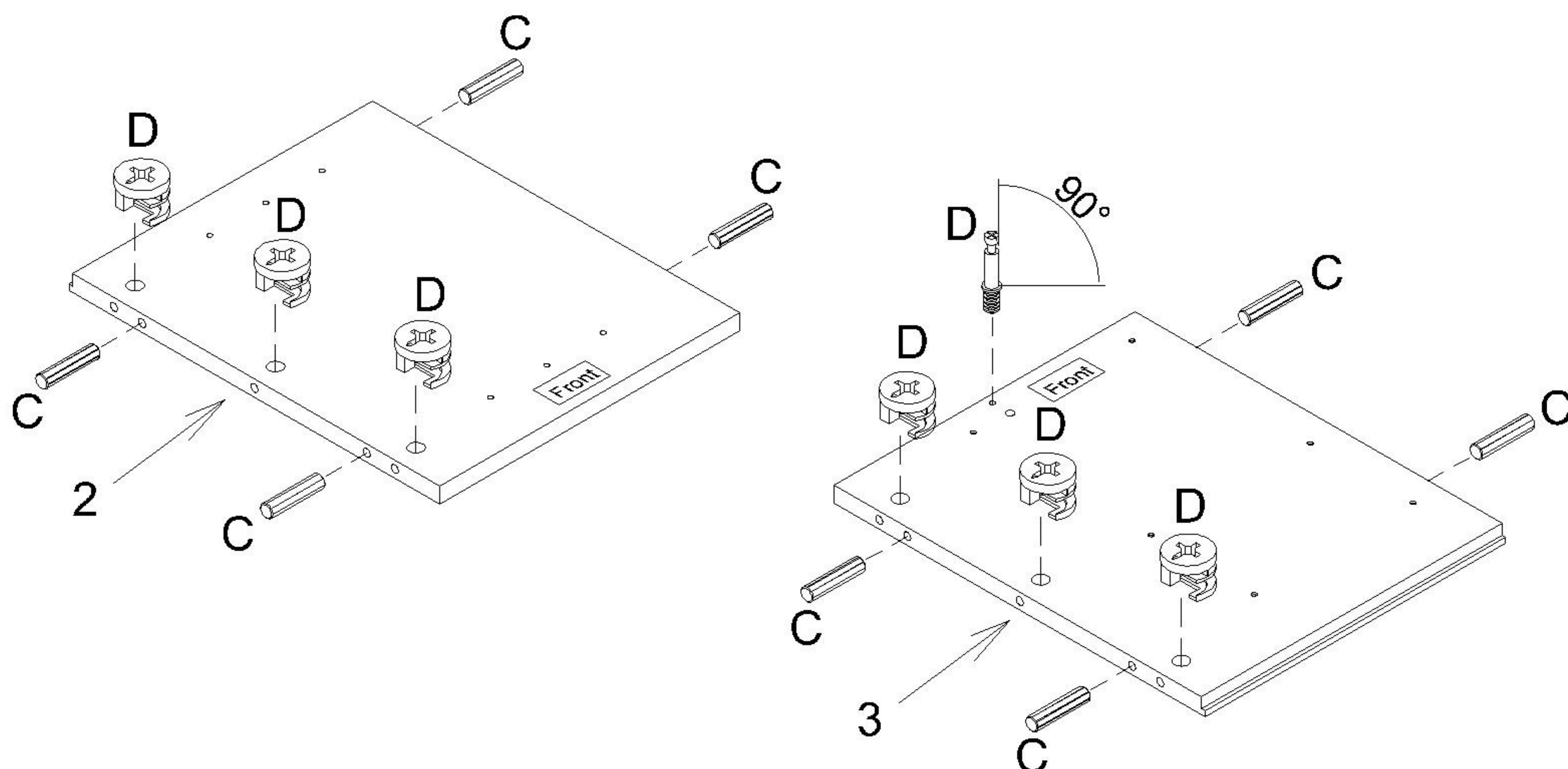
**1**

Attach Cam Bolt (D) to Top Panel (1).

**2**

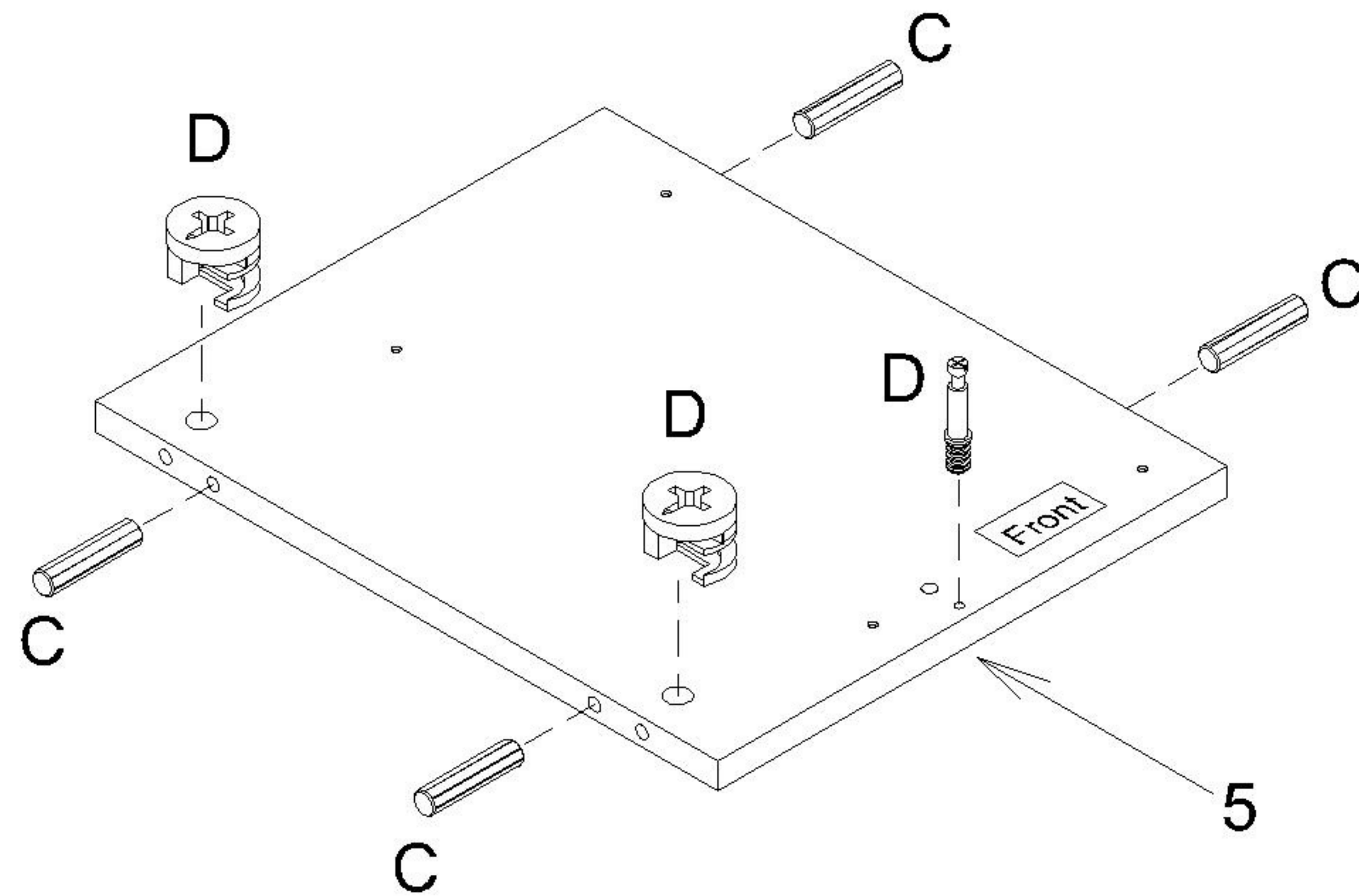
Attach Dowel (C) and Cam Lock (D) to Left & Right Side Panel (2 & 3). Attach Cam Bolt (D) to Right Side Panel (3).

NOTE : - Make sure arrows on each Cam Lock (D) points towards nearest edge with holes.

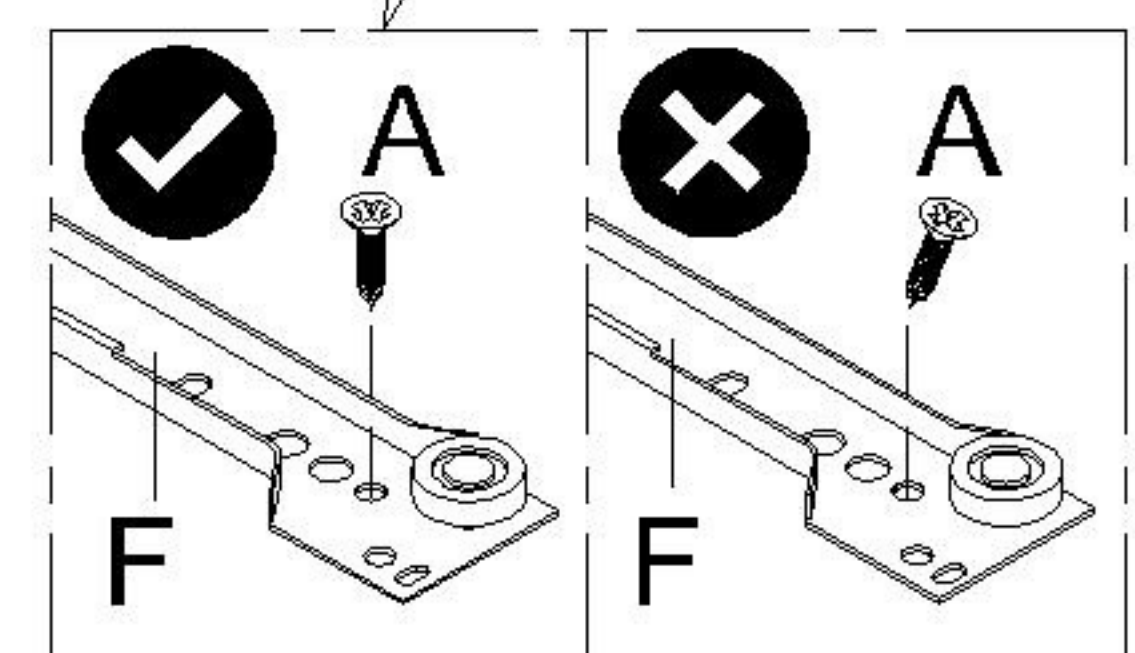
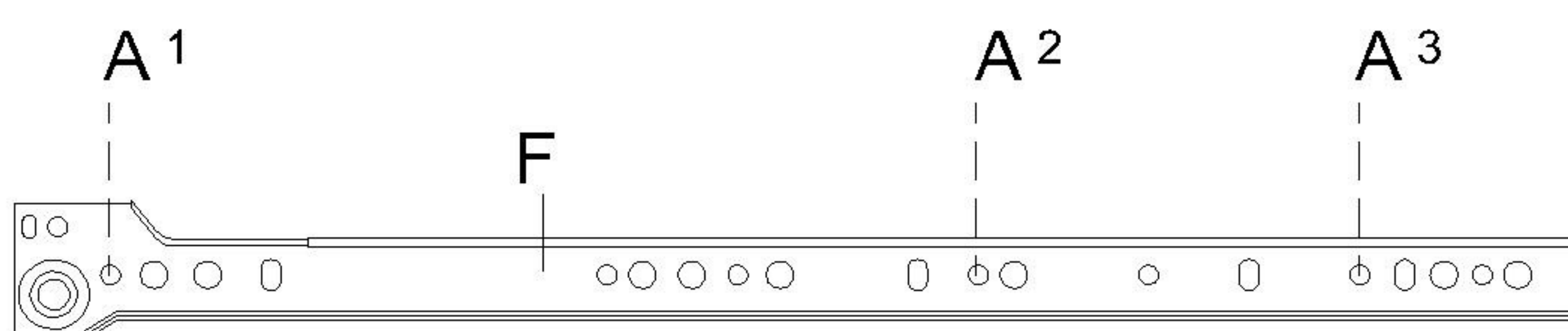
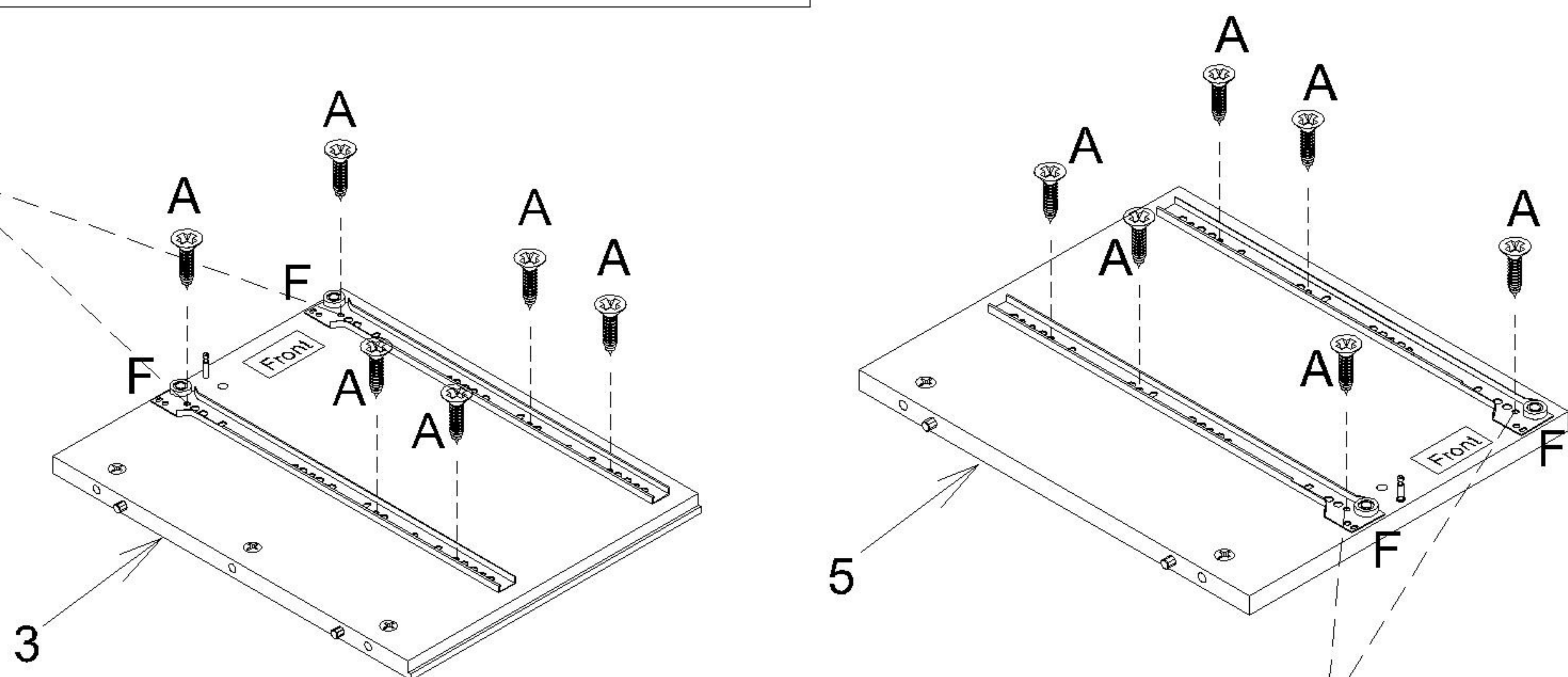
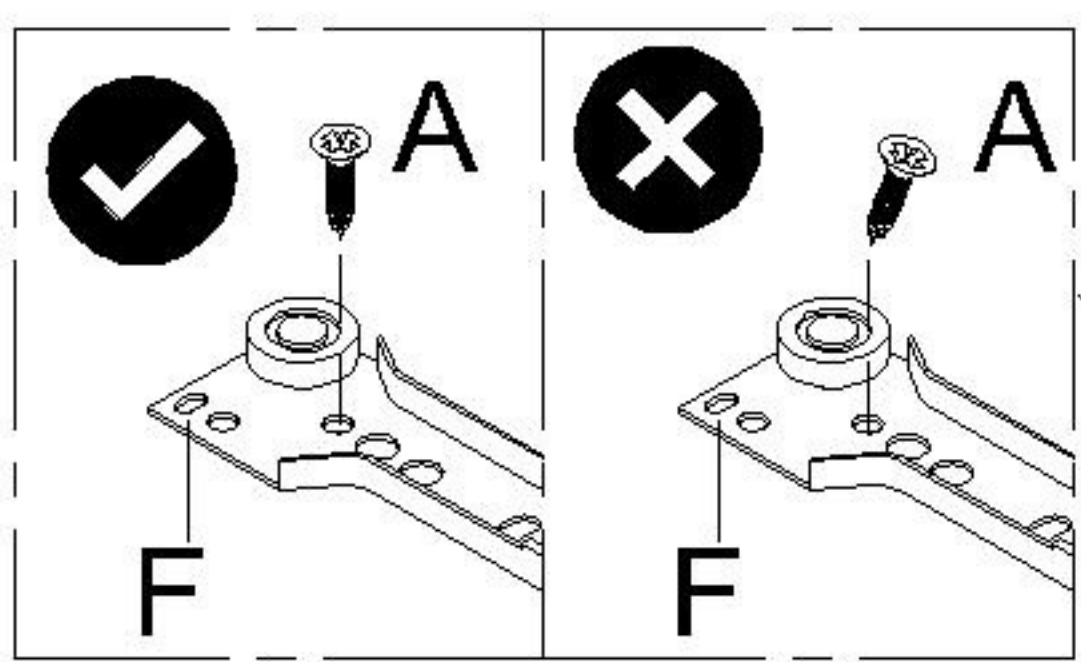
**3**

**3****Attach Dowel (C) and Cam Lock & Cam Bolt (D) to Partition (5).**

NOTE : - Make sure arrows on each Cam Lock (D) points towards nearest edge with holes.

**4****Attach Runner (F) to Right Side Panel (3) and Partition (5) and secure with Screw (A).**

NOTE : - Runner roller should be towards the front of the panel.  
 - Screw (A) should be assembled from the front of the runner. Start from A<sup>1</sup>, A<sup>2</sup> then A<sup>3</sup>.  
 - Make sure the Screw (A) are installed vertically without slant to ensure screw sits properly in the hole.

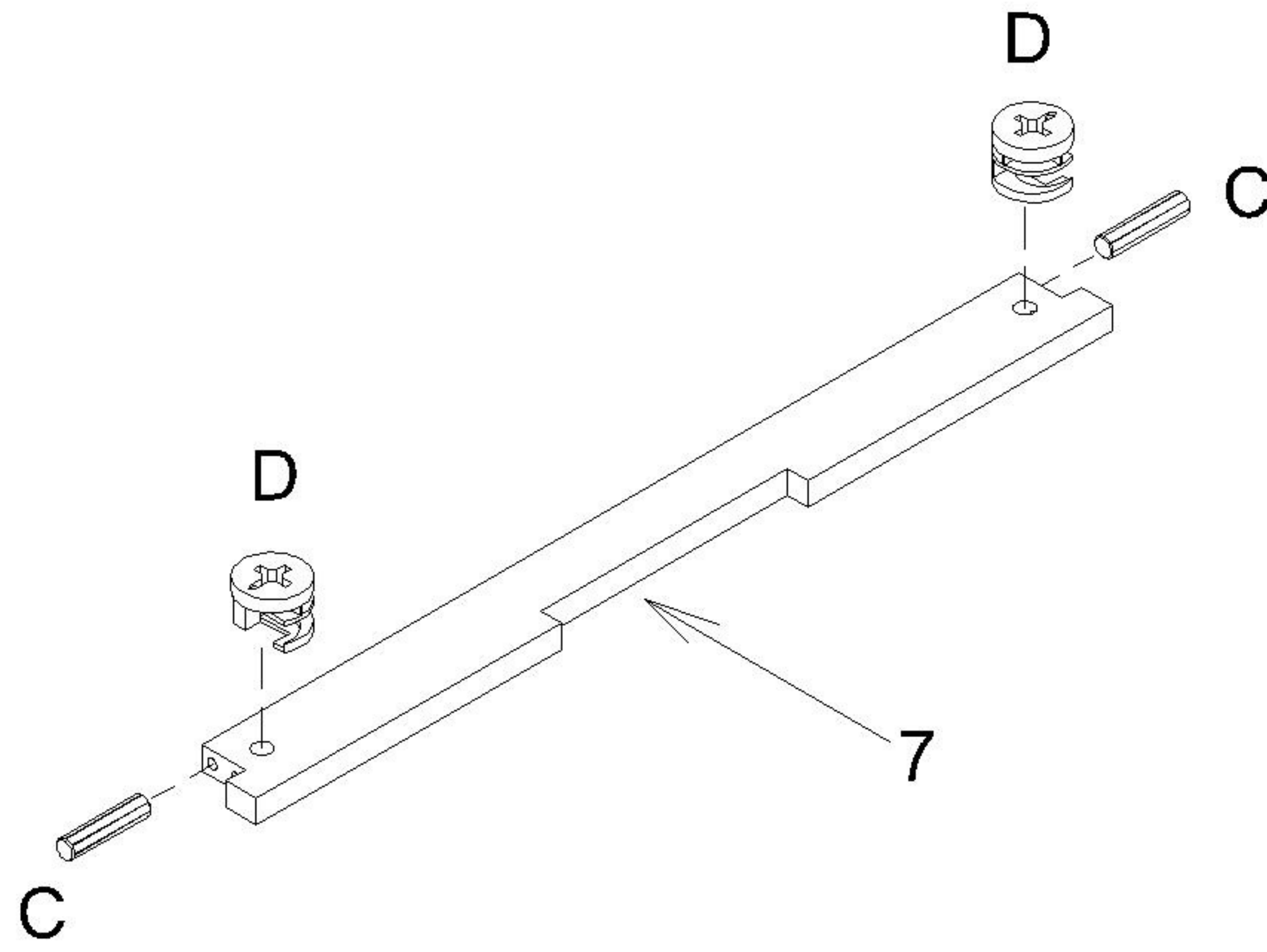




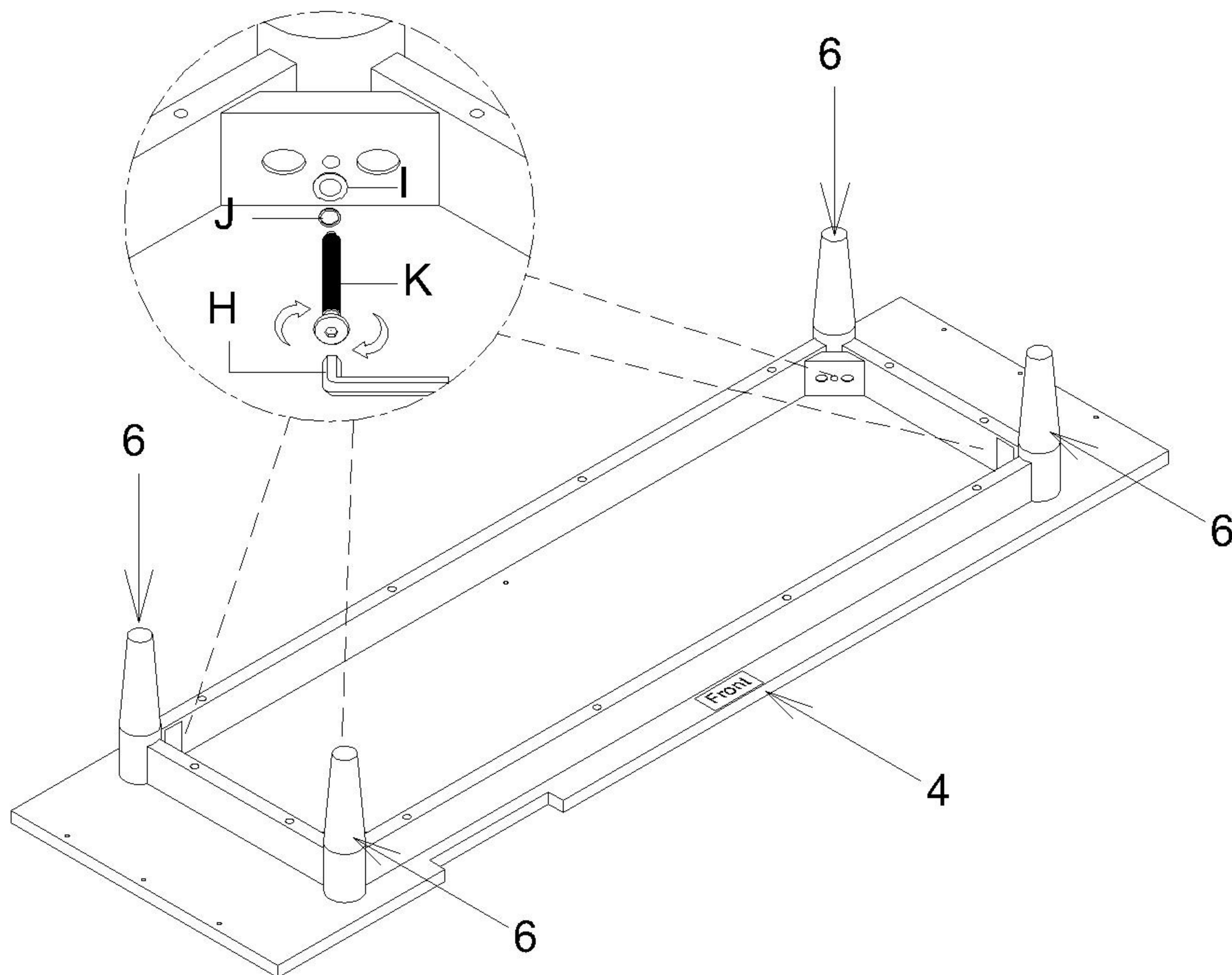
**5**

Attach Dowel (C) and Cam Lock (D) to Center Bar (7).

NOTE : - Make sure arrows on each Cam Lock (D) points towards nearest edge with holes.

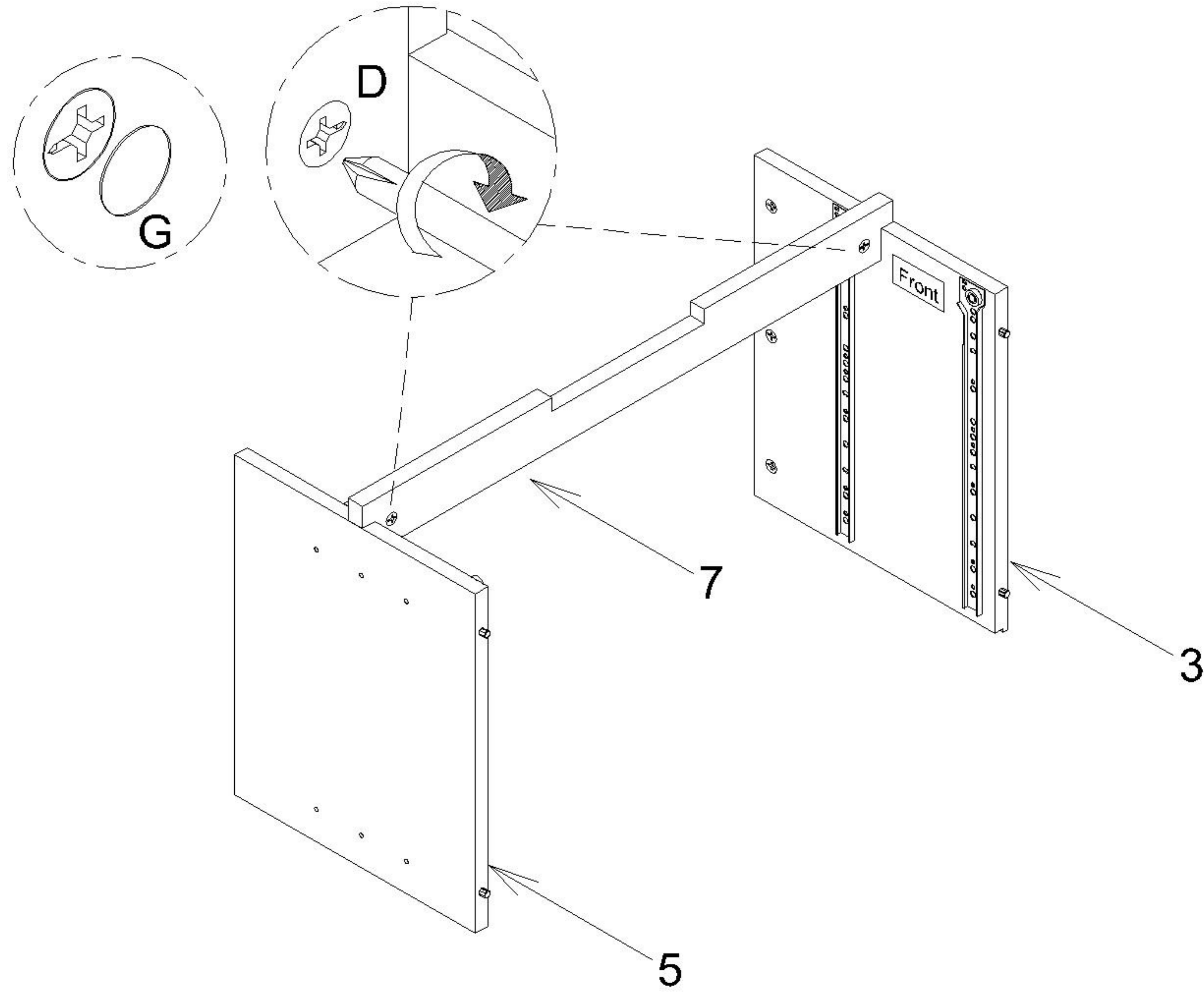
**6**

Attach Leg (6) to Bottom Panel (4) and secure with Flat Washer (I), Spring Washer (J) and JCBC Screw (K), and tighten with Allen Key (H) clockwise.



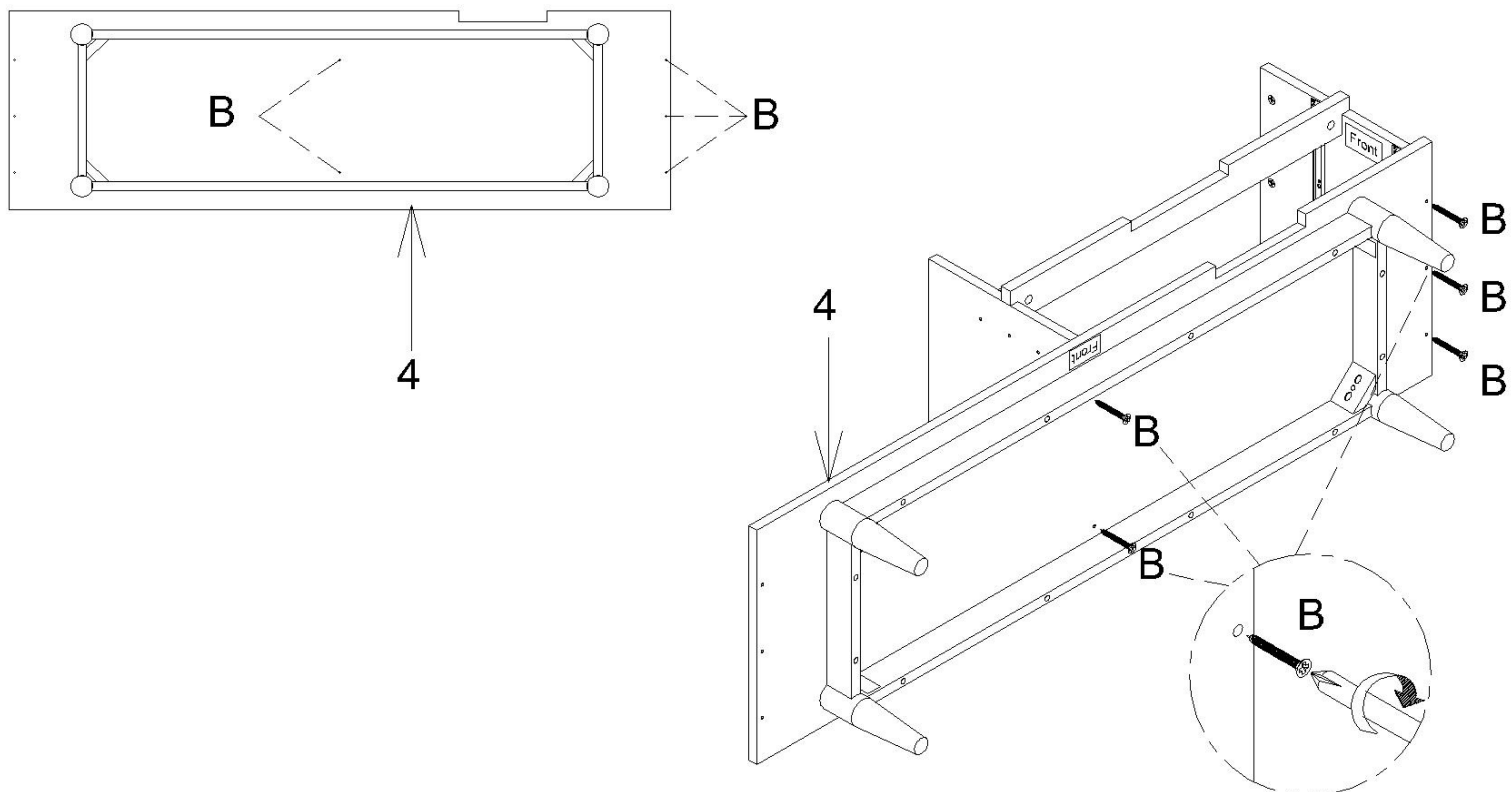
**7** Attach Center Bar (7) to Right Side Panel (3) and Partition (5), and secure with the Cam Lock (D) attached in the Step 2 and Step 3. Cover Cam Lock (D) with Cam Lock Cover (G).

NOTE : - Do not over tighten the Cam Lock (D).



**8** Attach Bottom Panel (4) to the assembled unit and secure with Screw (B).

NOTE : - Do not over tighten the Screw (B).

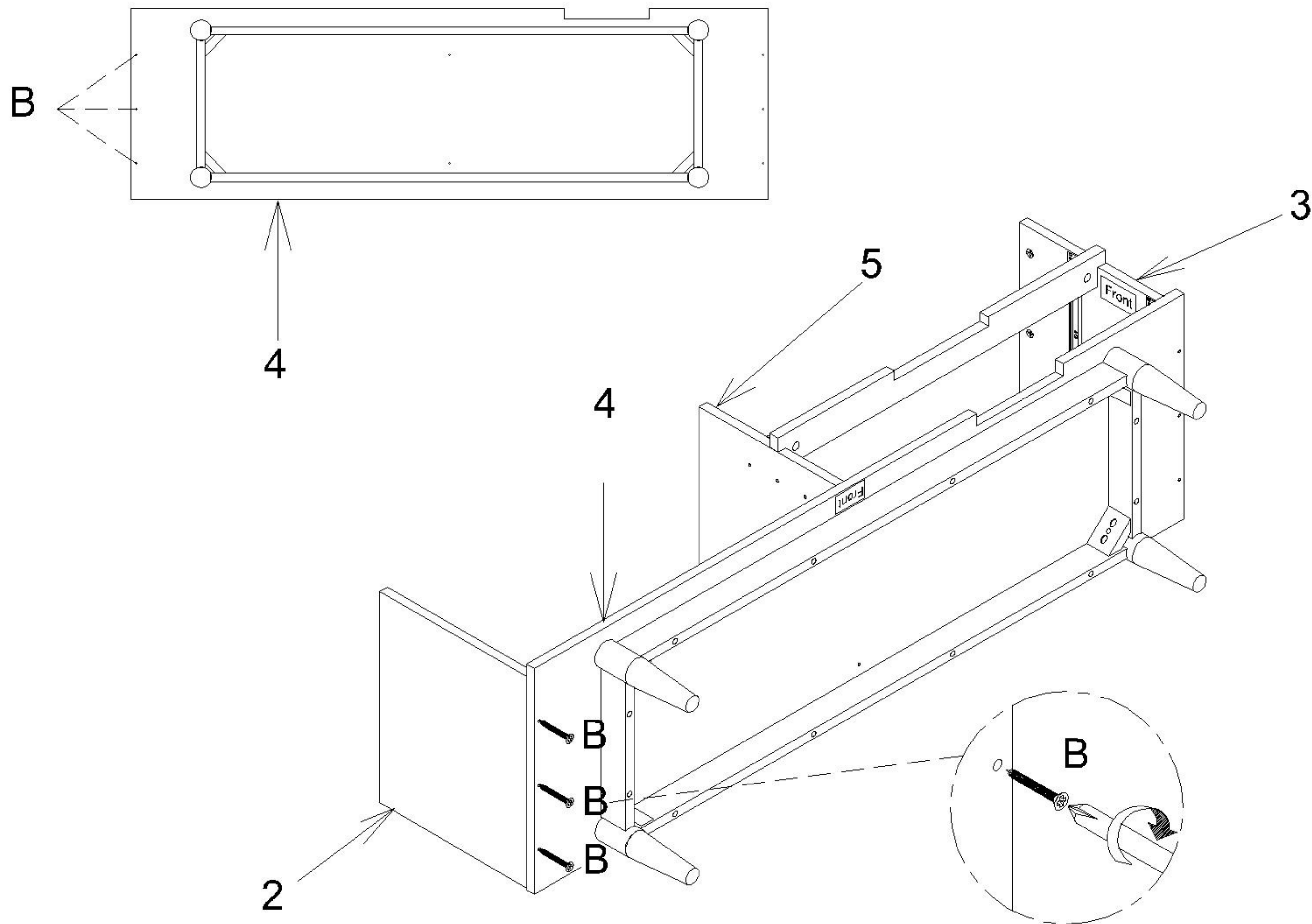




**9**

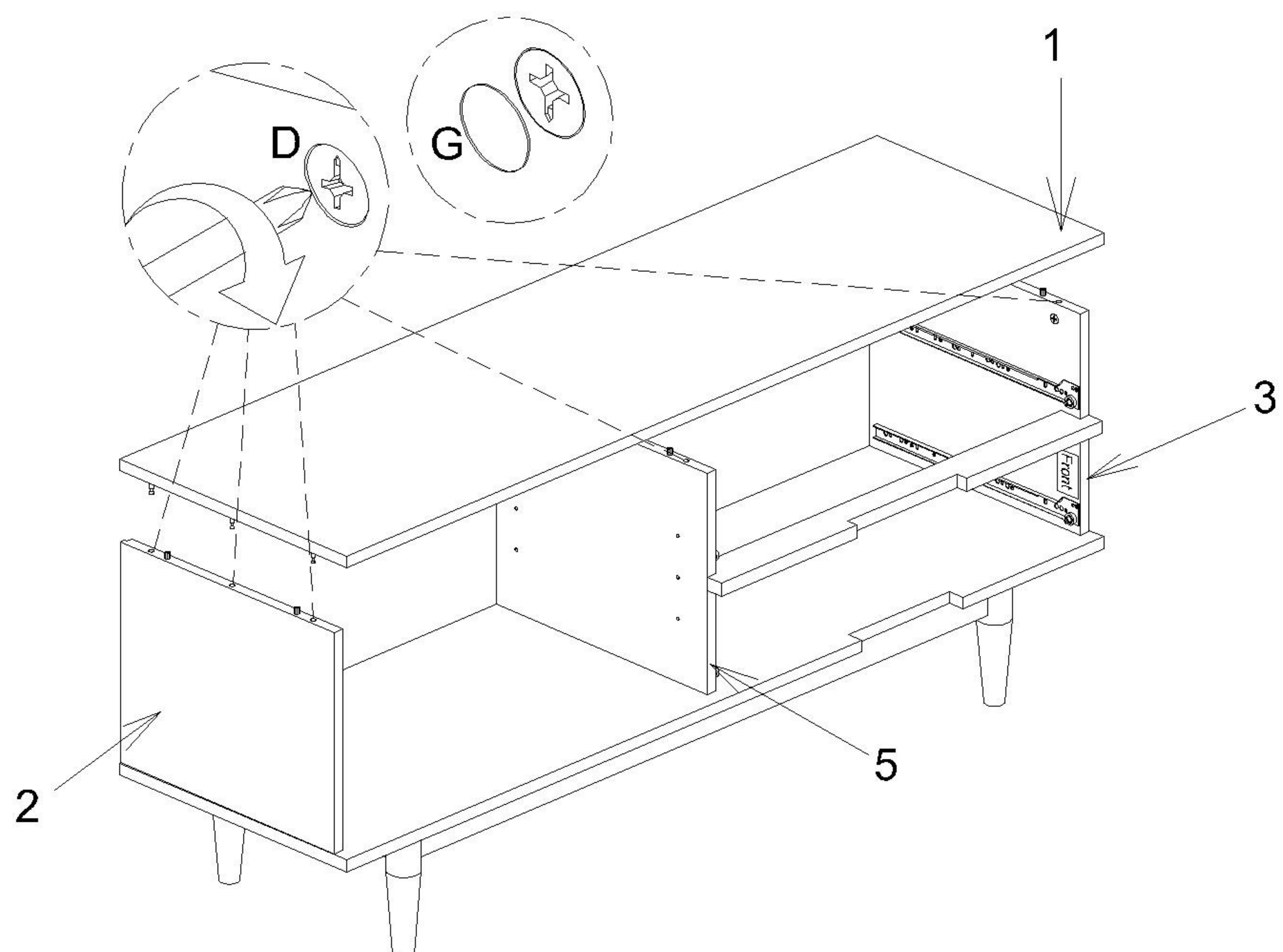
Attach Left Side Panel (2) to Bottom Panel (4) and secure with Screw (B).

NOTE : - Do not over tighten the Screw (B).

**10**

Stand the assembled unit up. Attach Top Panel (1) to the assembled unit and secure with the Cam Lock (D) attached in the Step 2 and Step 3. Cover Cam Lock (D) with Cam Lock Cover (G).

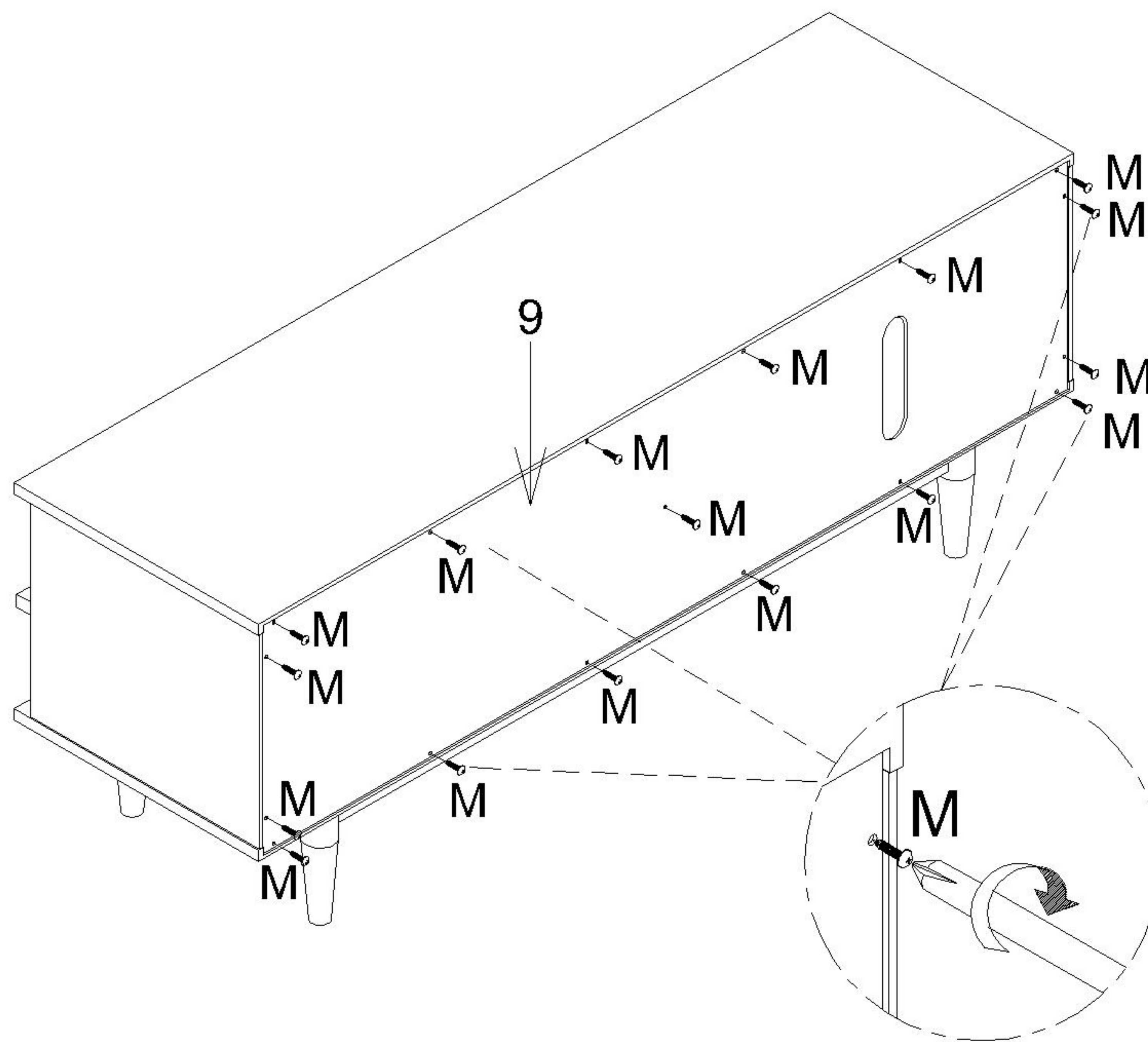
NOTE : - Do not over tighten the Cam Lock (D).



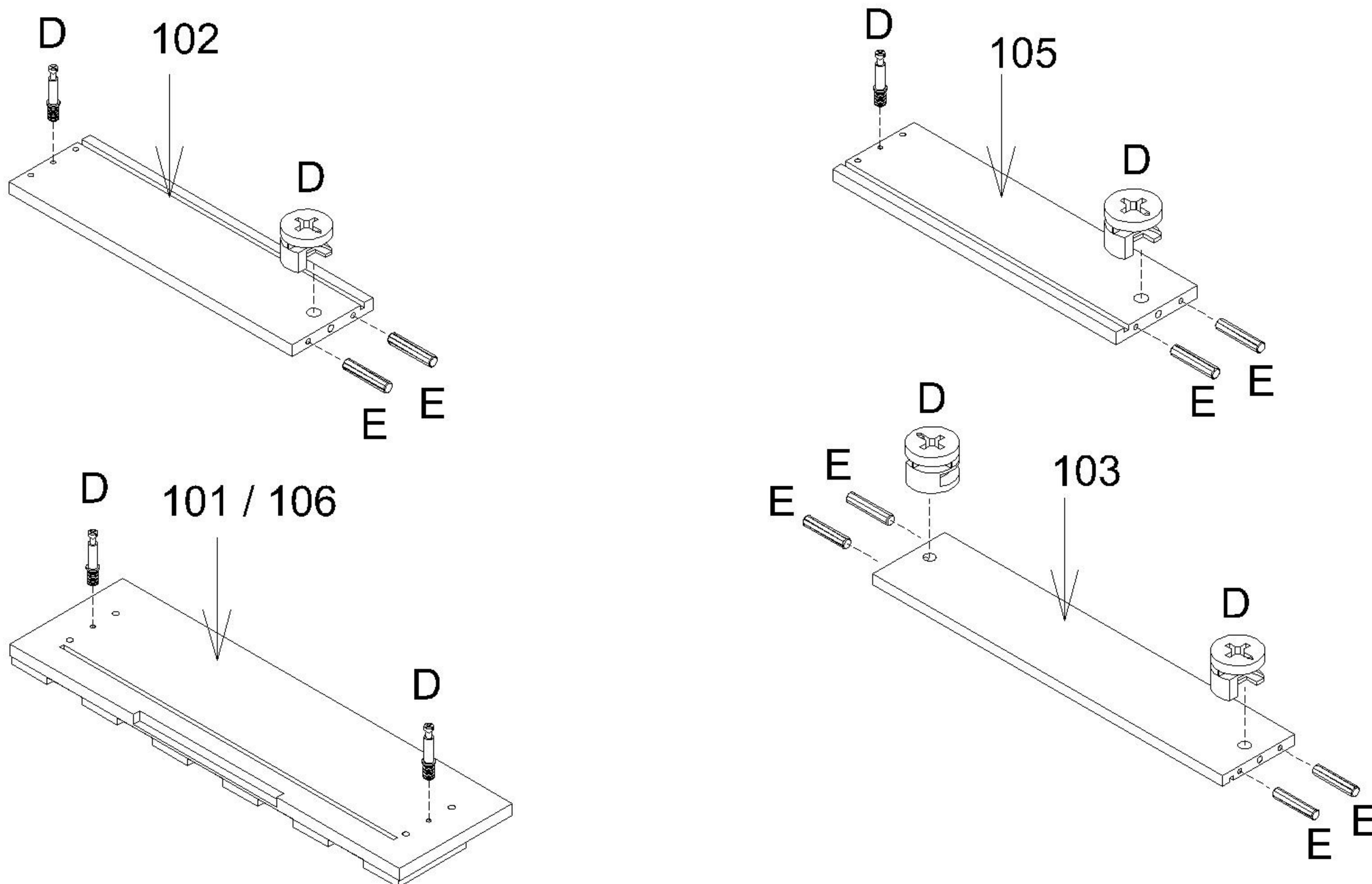
**11**

Attach Back Plywood (9) to the assembled unit and secure with Panhead Screw (M).

NOTE : - Do not over tighten the Panhead Screw (M).

**12**

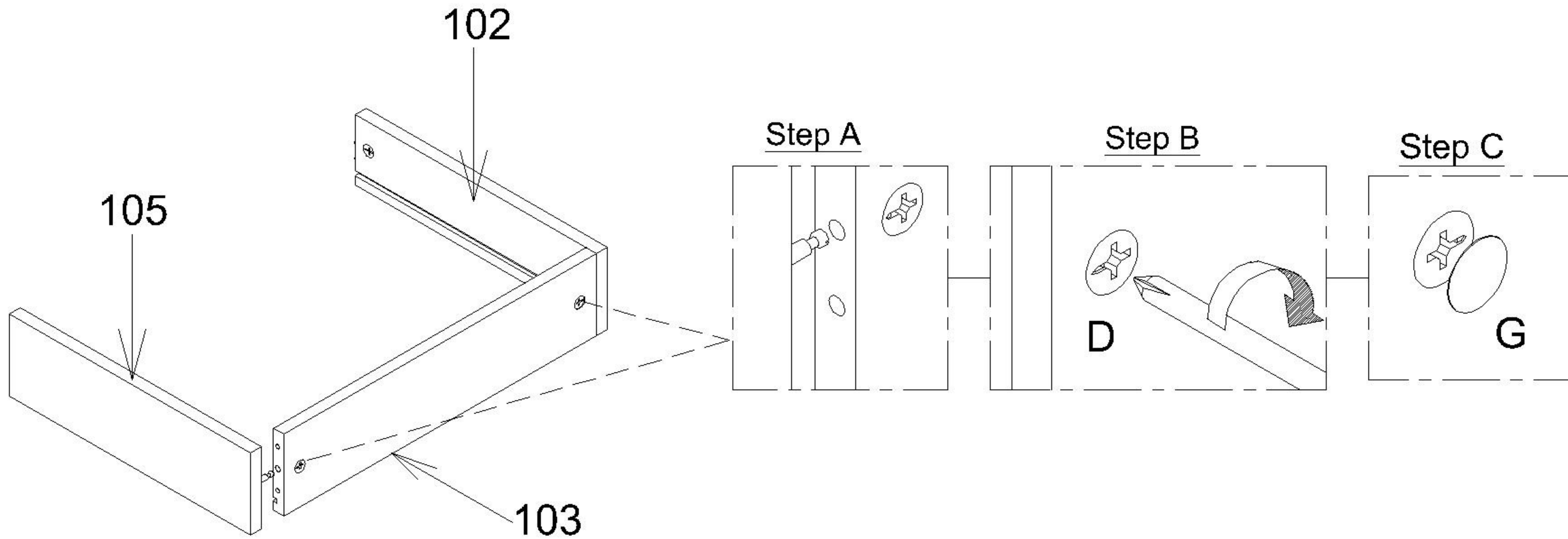
Attach Dowel (E) and Cam Lock (D) to Left & Right Drawer Side (102 & 105) and Drawer Back (103). Attach Cam Bolt (D) to Left & Right Drawer Side (102 & 105) and Top & Bottom Drawer Front (101 & 106).





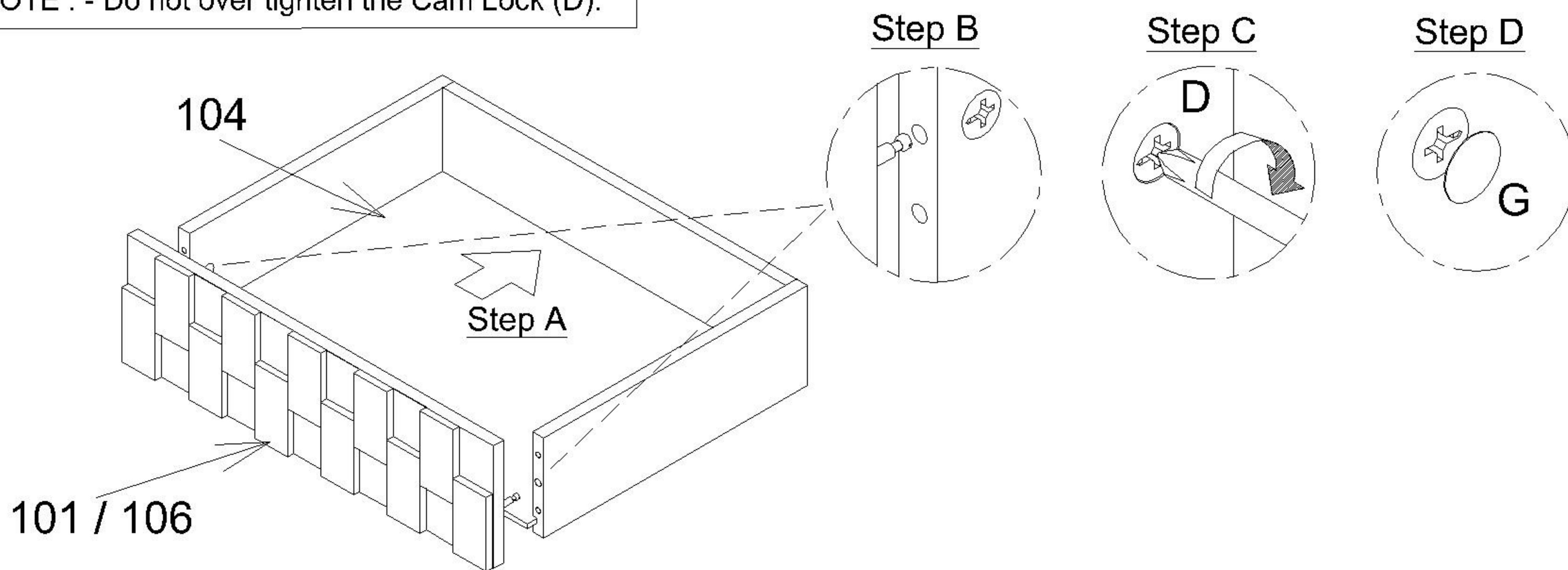
**13** Attach Left & Right Drawer Side (102 & 105) to Drawer Back (103) and secure with the Cam Lock (D) attached in the Step 12. Cover Cam Lock (D) with Cam Lock Cover (G).

NOTE : - Do not over tighten the Cam Lock (D).



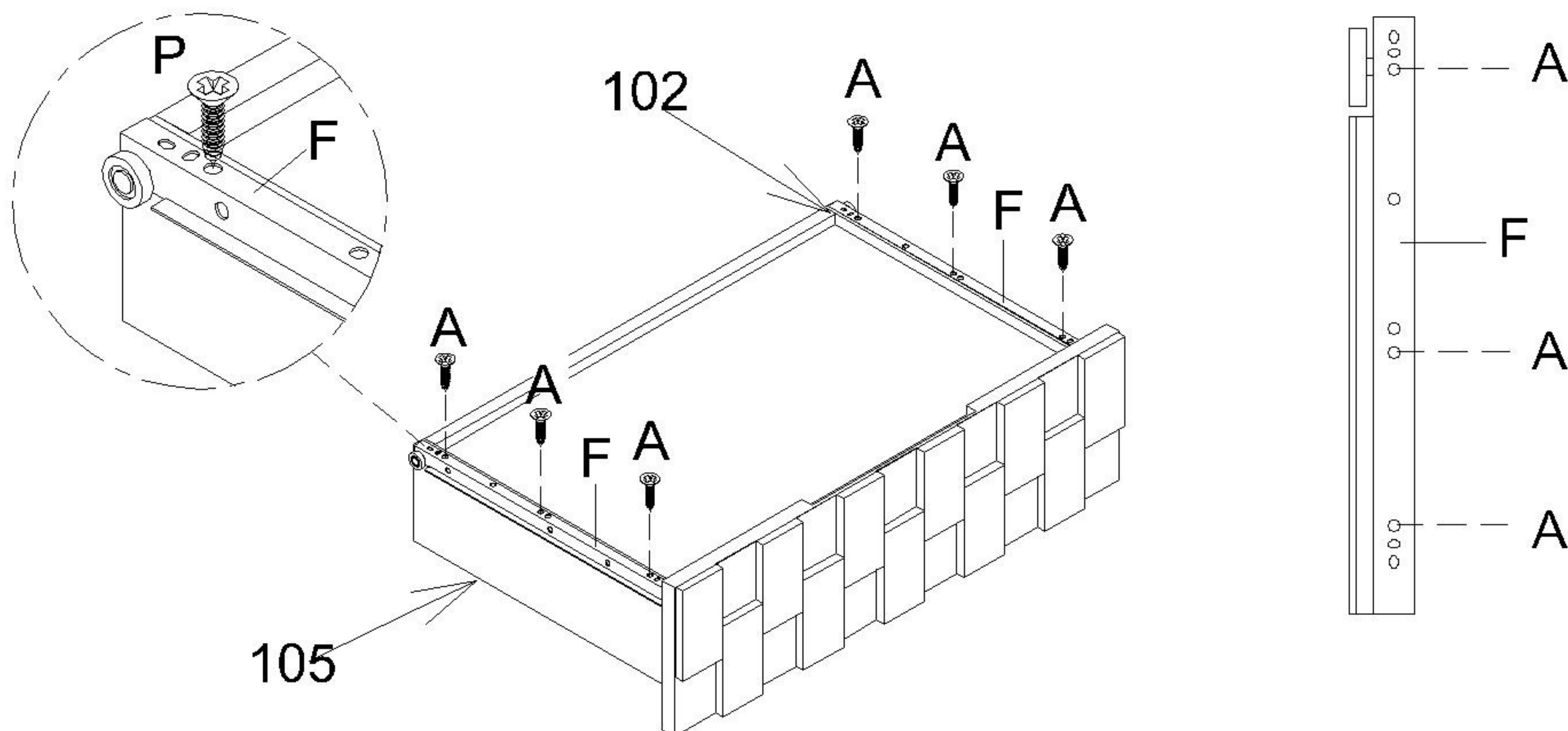
**14** Slot Drawer Base (104) into corresponding grooves. Attach Top & Bottom Drawer Front (101 & 106) to Drawer Box and secure with the Cam Lock (D) attached in the Step 12. Cover Cam Lock (D) with Cam Lock Cover (G).

NOTE : - Do not over tighten the Cam Lock (D).

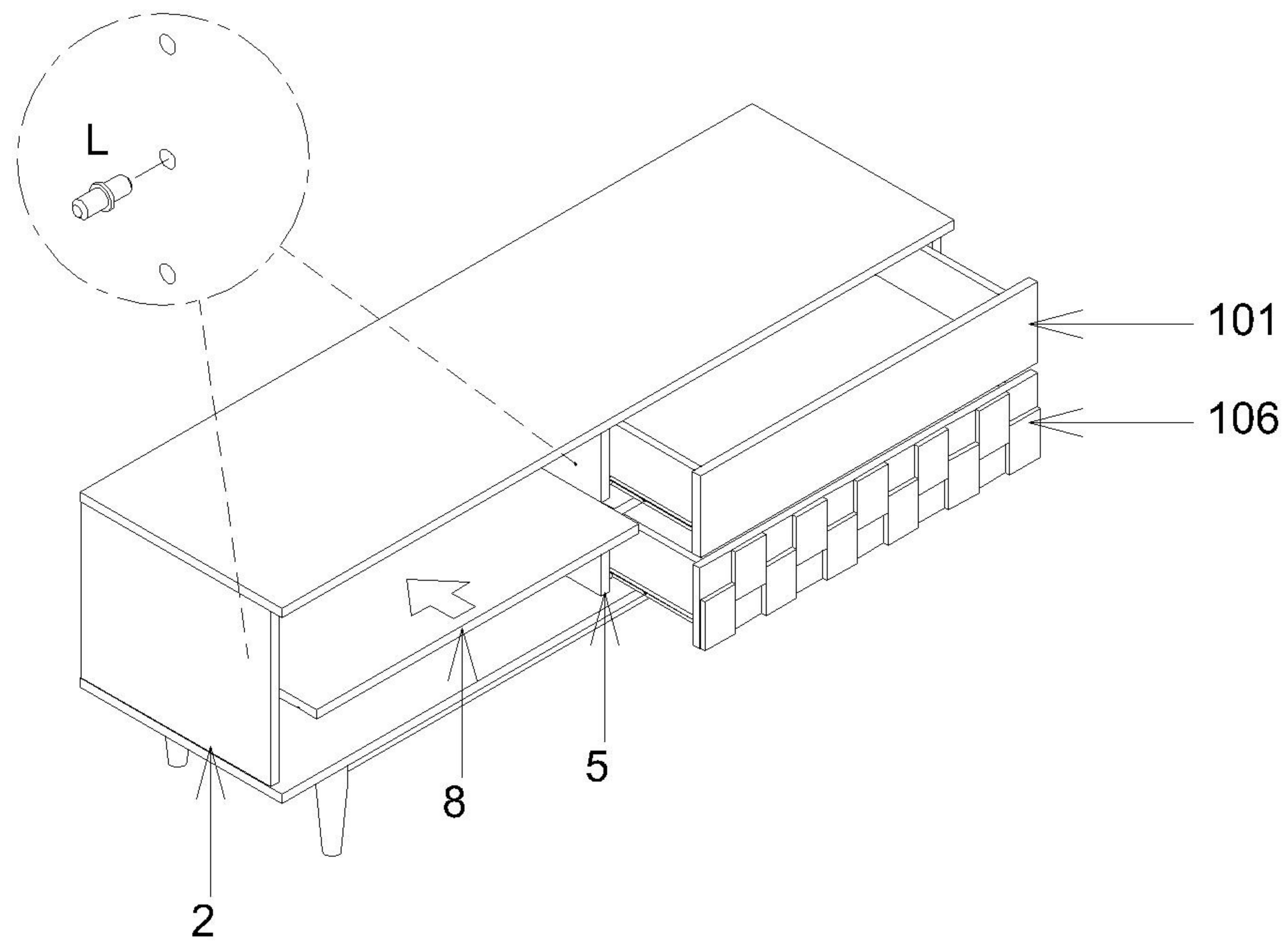


**15** Flip over Drawer Box. Attach Runner (F) to Left & Right Drawer Side (102 & 105) and secure with Screw (A).

NOTE : - Runner roller should be flush and towards the back of the Drawer Box.



**16** Attach Shelving Support (L) to Left Side Panel (2) and Partition (5). Slot Shelving (8) into the assembled unit. Slot Drawers into the assembled unit.



---

### Cleaning & Care

Treat surface with care. Surface is resistant to scratches but is not scratch resistant. Clean surfaces with a dry or damp soft cloth. Do not use abrasive cleaners. Hardware may loosen over time. Periodically check that all connections are tight.