



HOME ELEGANCE

ASSEMBLY INSTRUCTION

ITEM NO: 1568K - 1 KING HEADBOARD
1568K - 2 KING FOOTBOARD W/SLATS
1568K - 3CK CK SIDE RAILS

Thank you for purchasing this quality product. Be sure to check all packing material carefully for small parts that may have come loose inside the carton during shipment.

TOOLS REQUIRED (NOT PROVIDED)

PHILLIPS SCREWDRIVER



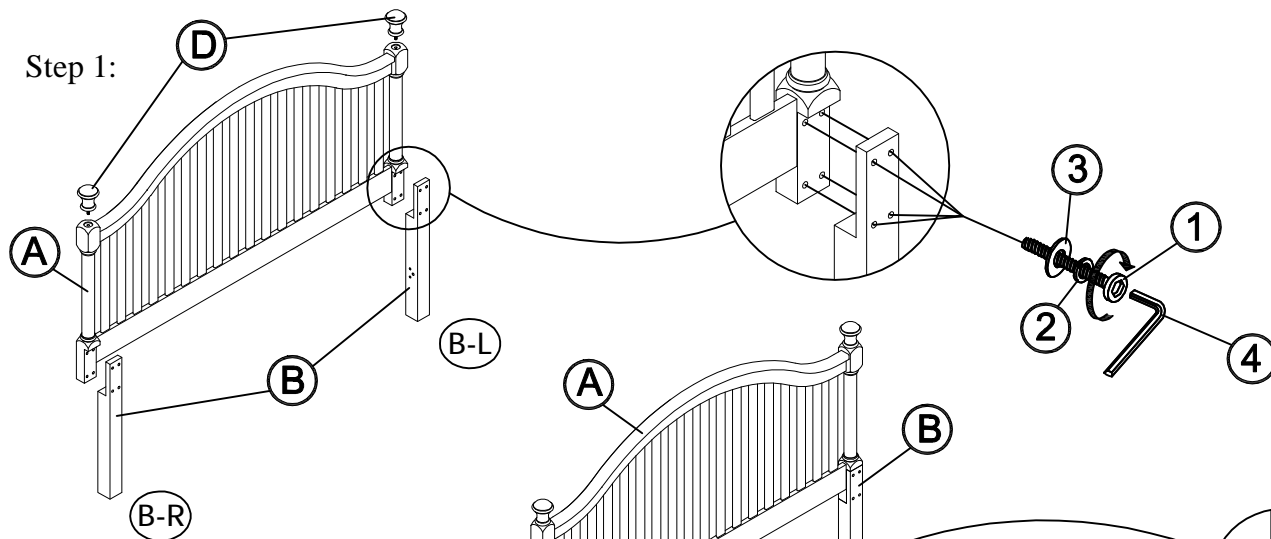
HARDWARE LISTS

PART LIST

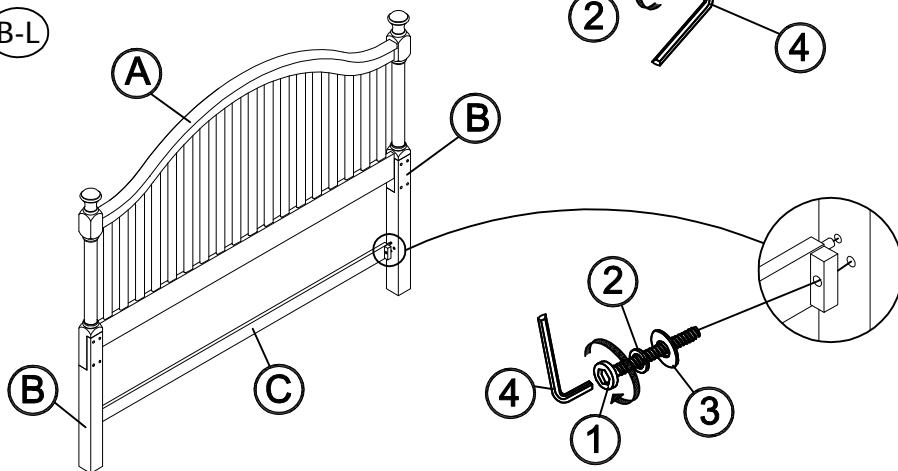
NO.	Description	Sketch	Size	Q'ty
HARDWARE (PACK IN - 1)				
1	BOLT		5/16"*44mm	10PCS
2	SPRING WASHER		5/16"*12mm	10PCS
3	FLAT WASHER		5/16"*19mm	10PCS
4	ALLEN KEY		4mm	1PC
HARDWARE (PACK IN - 3)				
5	SCREW		Ø8*32mm	8PCS
6	THREADED BOLT		5/16"*88mm	8PCS
7	HEX NUT		5/16"*12*6mm	8PCS
8	U-SQUARE FLAT WASHER		5/16"*28*7mm	8PCS
9	SPRING WASHER		5/16"*12mm	8PCS
10	WRENCH		5/16"*90*2mm	1PC

NO.	Description	Sketch	Q'ty
A	HEADBOARD		1PC
B	HEADBOARD POST (LSF & RSF)		2PCS
C	HEADBOARD BOTTOM RAIL		1PC
D	FINIALS		4PCS
E	FOOTBOARD		1PC
F	BUNFOOT		2PCS
G	SIDE RAIL		2PCS
H	SLAT		4PCS
I	SUPPORT LEG		8PCS

Step 1:



Step 2:



It is recommended to install protective pads under all legs and supports to avoid damage or scratches when placing furniture on a wood floor or other hard surface, and to limit indentation and prevent discoloration if placing on carpet.

MADE IN VIETNAM

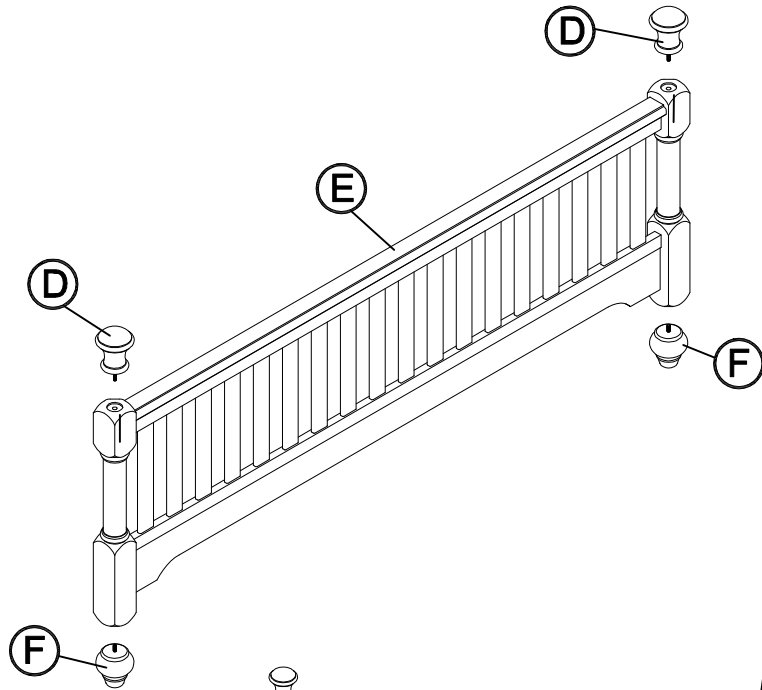
PAGE :1 OF 3

ASSEMBLY INSTRUCTION

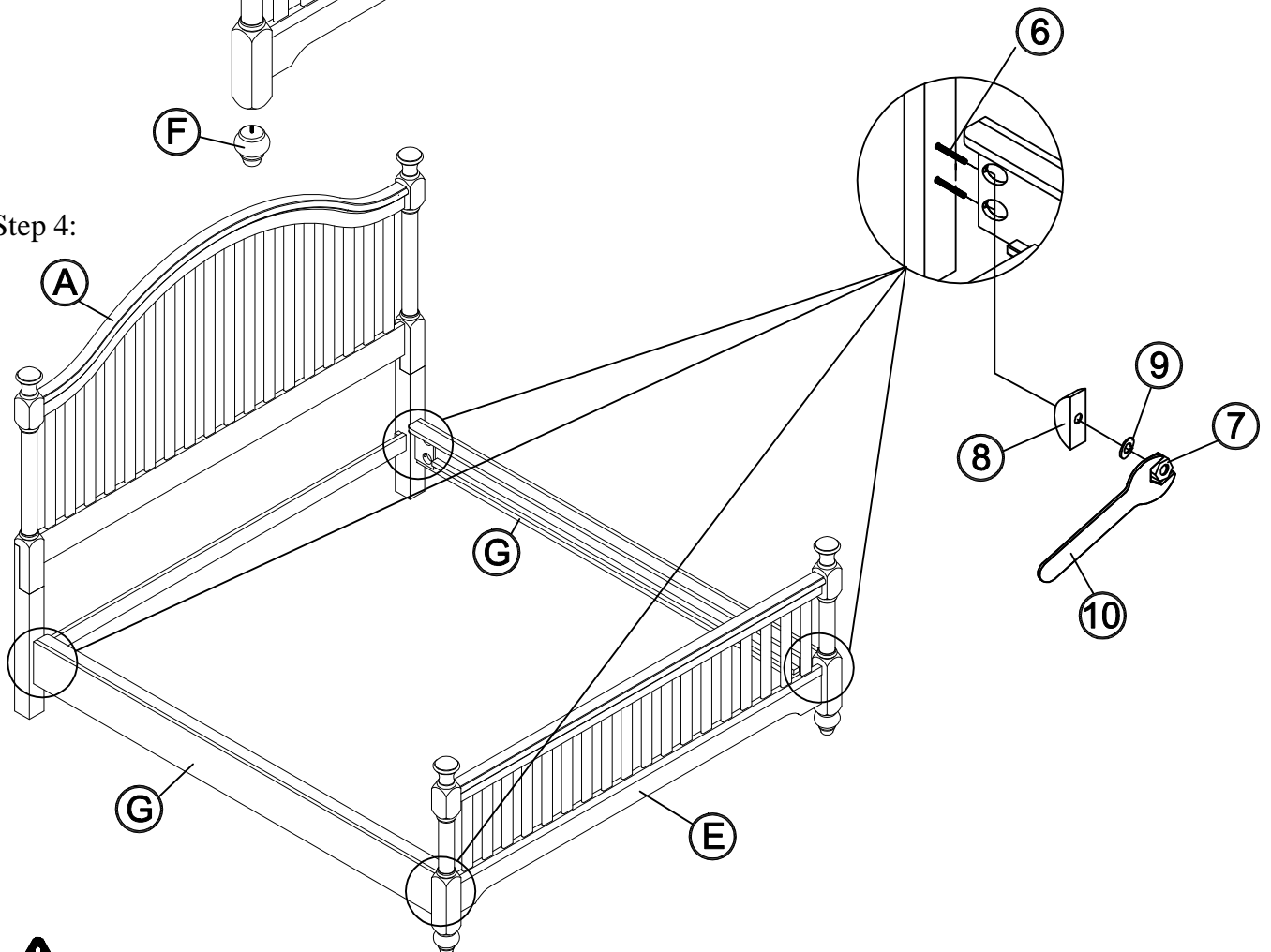
ITEM NO: 1568K - 1 KING HEADBOARD
 1568K - 2 KING FOOTBOARD W/SLATS
 1568K - 3CK CK SIDE RAILS

Thank you for purchasing this quality product. Be sure to check all packing material carefully for small parts that may have come loose inside the carton during shipment.

Step 3:



Step 4:



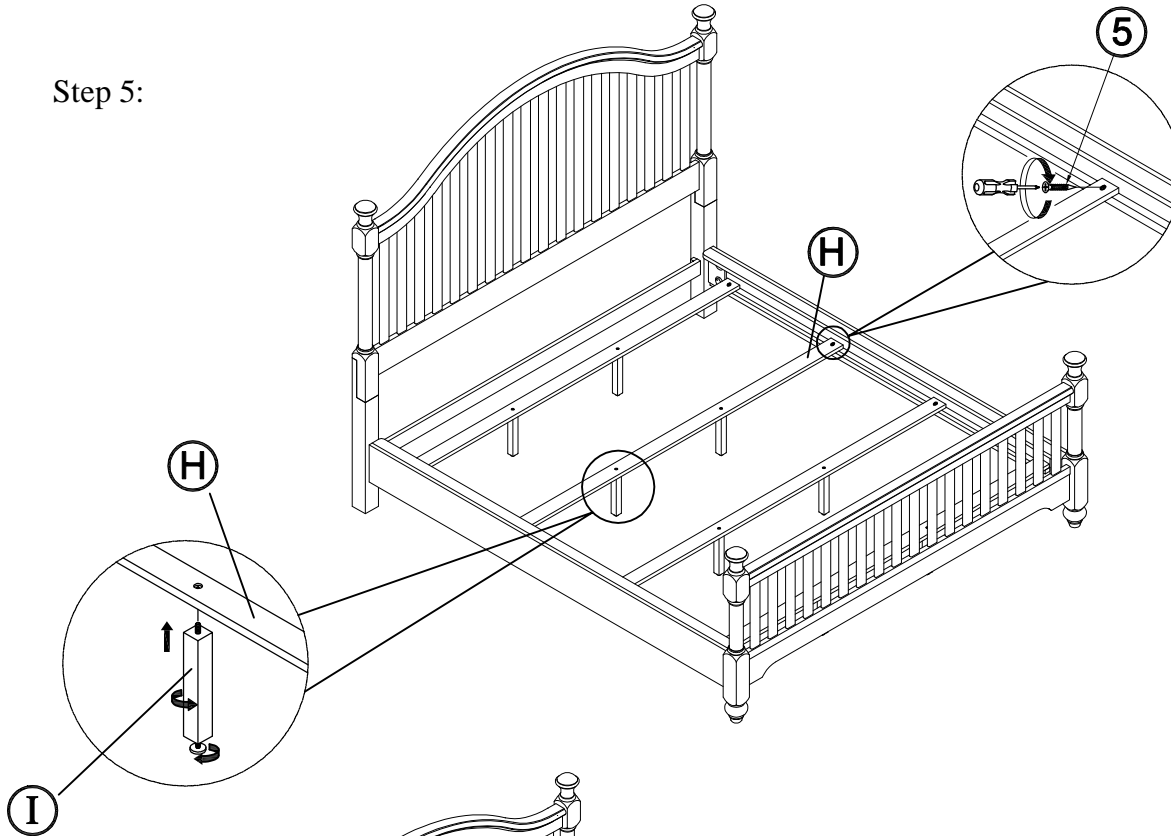
It is recommended to install protective pads under all legs and supports to avoid damage or scratches when placing furniture on a wood floor or other hard surface, and to limit indentation and prevent discoloration if placing on carpet.

ASSEMBLY INSTRUCTION

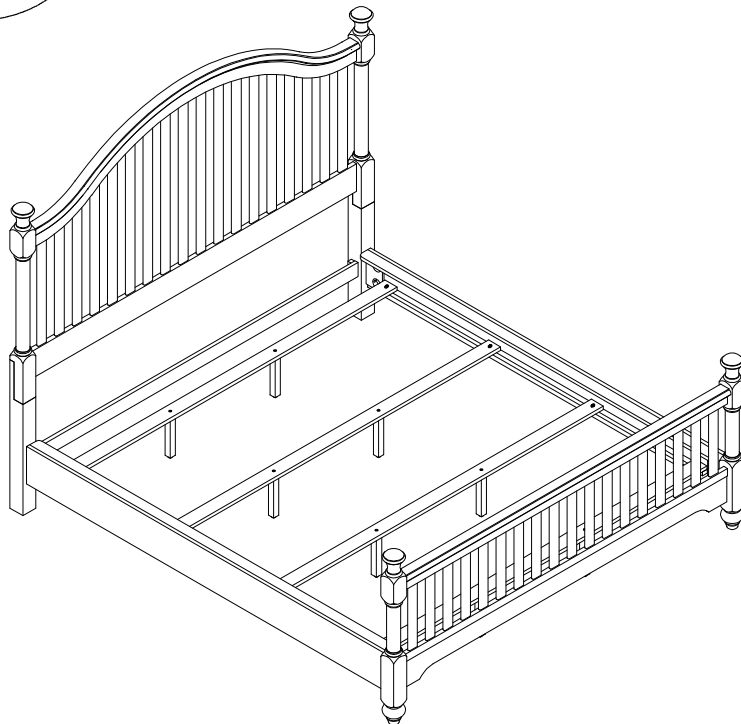
ITEM NO: 1568K - 1 KING HEADBOARD
1568K - 2 KING FOOTBOARD W/SLATS
1568K - 3CK CK SIDE RAILS

Thank you for purchasing this quality product. Be sure to check all packing material carefully for small parts that may have come loose inside the carton during shipment.

Step 5:



Step 6:



Assembly completed



It is recommended to install protective pads under all legs and supports to avoid damage or scratches when placing furniture on a wood floor or other hard surface, and to limit indentation and prevent discoloration if placing on carpet.