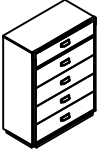
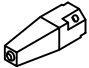
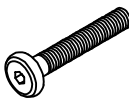
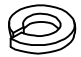



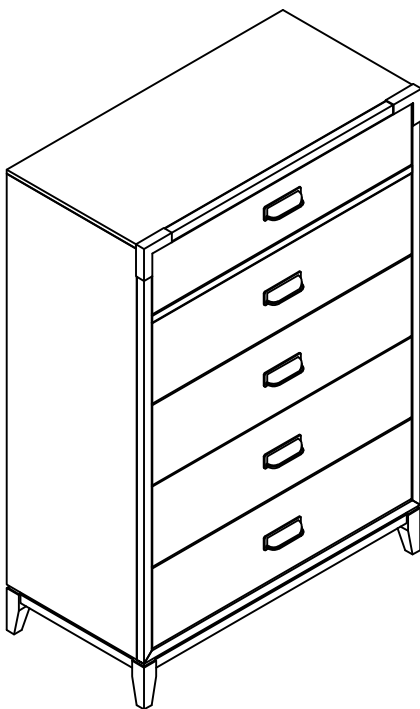


ASSEMBLY INSTRUCTIONS

5-DRAWER CHEST WITH 2 SETS OF MODULAR DRAWER DIVIDERS

A Chest	B Leg (In the bottom drawer)	C JCBC Bolt 5/16" x 55mm	D Spring Washer 5/16" x Ø12mm
			
1pc	4pcs	4pcs	4pcs
E Flat Washer 5/16" x Ø19mm	F Allen Key M4 x 65mm	G Anti-Tip Kit	
			
4pcs	1pc	1set	

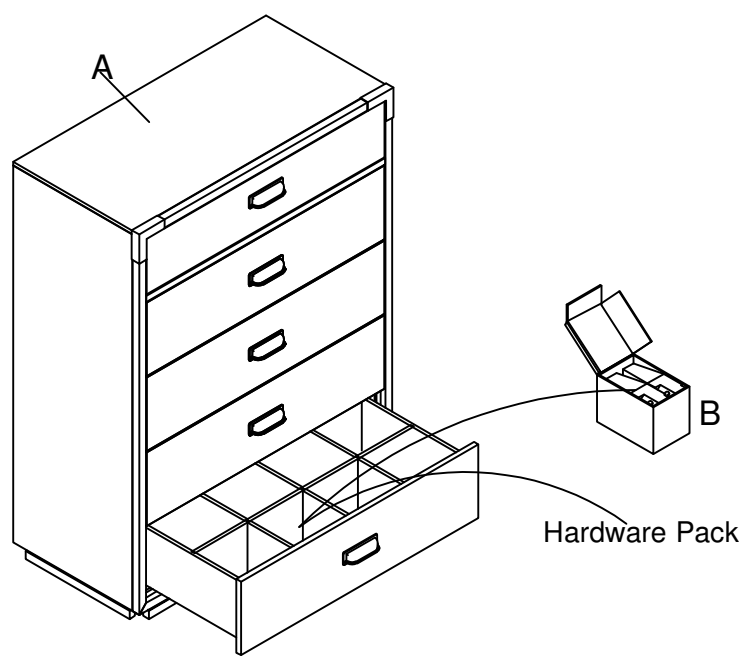


This page lists all the contents included in the box. Please take the time to identify the hardware as well as the individual components to this product. As you unpack and prepare for assembly, place the contents on a carpeted or padded area to protect them from damage.

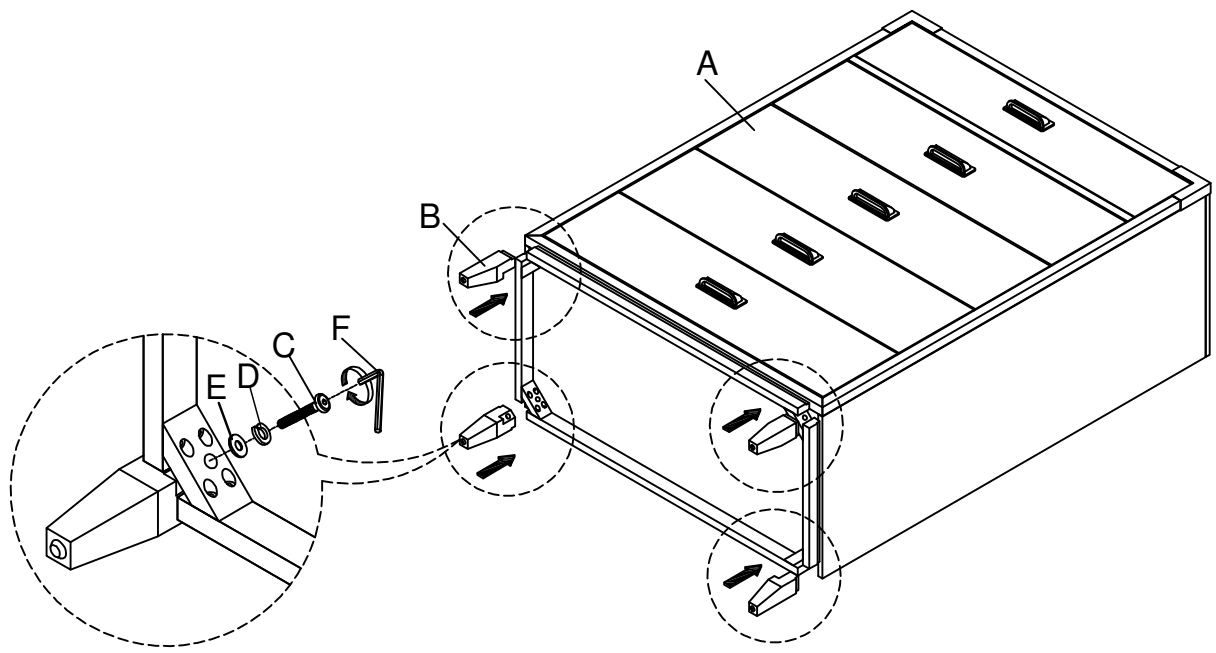
IMPORTANT NOTE:

1. Do not tighten all screws / bolts until all completely assembled.
2. Keep all hardware parts out of reach of children.

1 Take out the box of the Leg (B) and the hardware pack from the bottom drawer of the Chest (A).

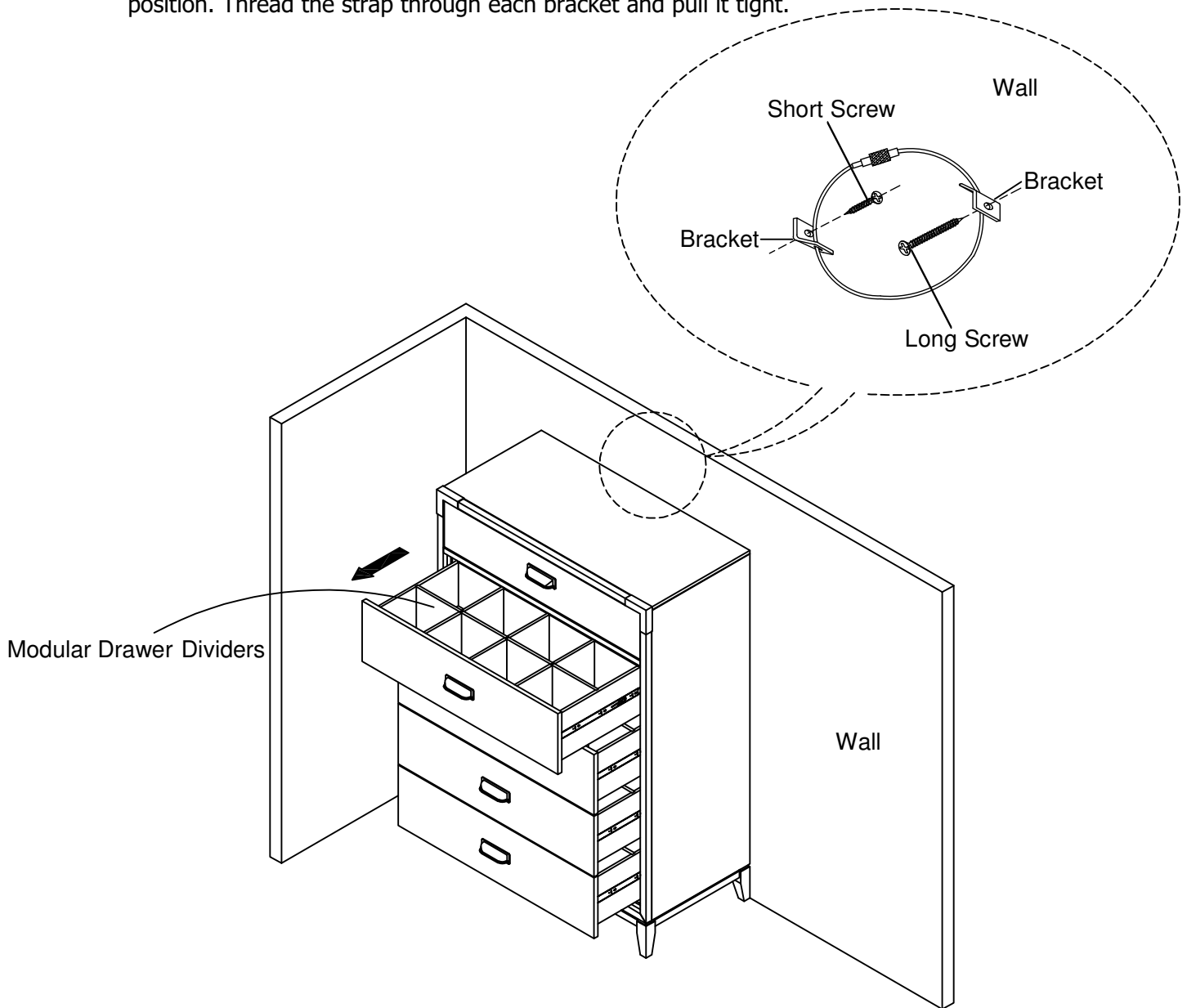


2 Attach the Leg (B) to the Chest (A) using JCBC Bolt (C), Spring Washer (D) and Flat Washer (E) with the Allen Key (F).

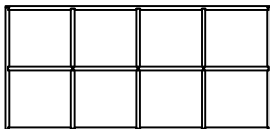


3

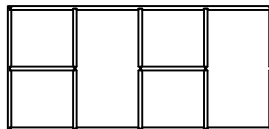
Attach the Anti-Tip Kit (G) to the wall. Attach the bracket (vertically) to the wall using the long screw provided. Attach the bracket (vertically) to the back of the furniture with the short screw provided. Place the bracket as close to the center of the back of the furniture as possible in relation to the wall stud and the desired position in the room. Move the furniture to its final position. Thread the strap through each bracket and pull it tight.



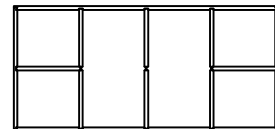
Drawer Divider Options



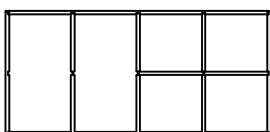
Option 1



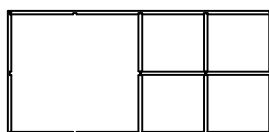
Option 2



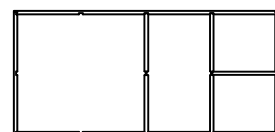
Option 3



Option 4



Option 5



Option 6

Cleaning & Care

Treat surfaces with care. Surfaces are resistant to scratches but are not scratch resistant. Clean surfaces with a dry or damp soft cloth. Do not use abrasive cleaners. Hardware may loosen over time. Periodically check that all connections are tight.